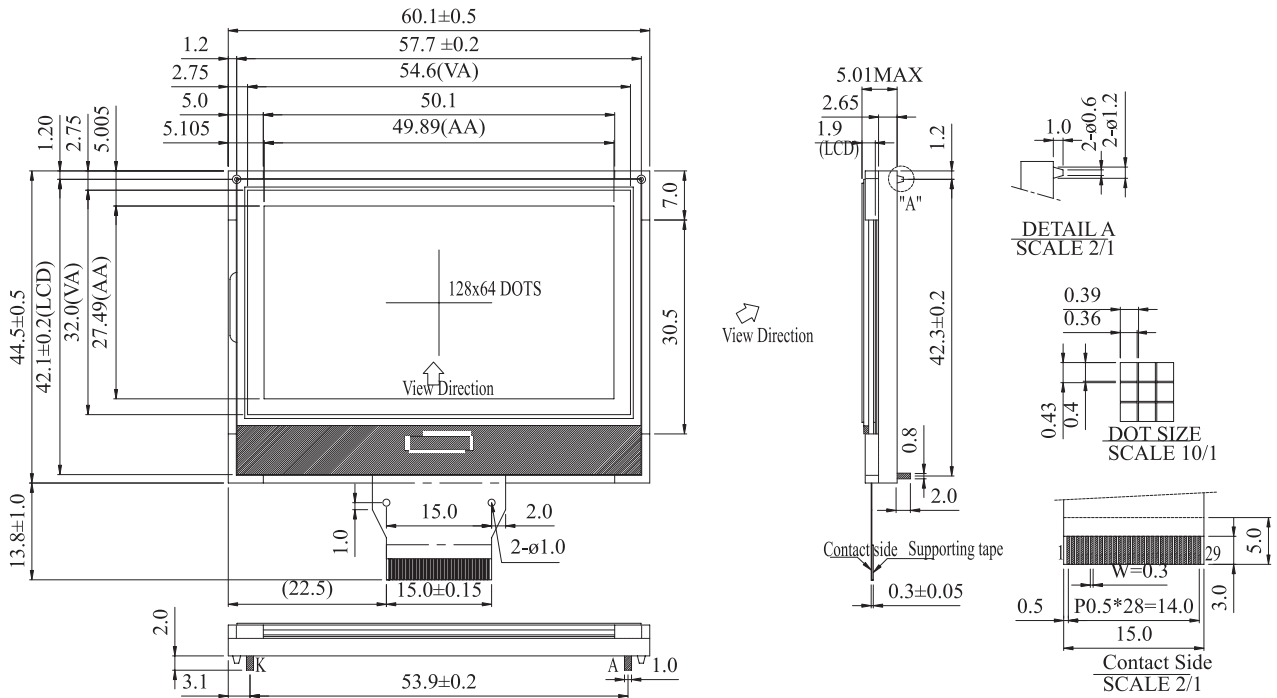


**WO12864A1** Graphic 128x64 dots

**Dimension drawing**



Graphic type

**Feature**

1. Built-in controller (ST7565P or Equivalent)
2. 1/65 duty
3. +3.3V power supply

Pin NO.	Symbol	Pin NO.	Symbol
1	P/S	16	VDD
2	C86	17	D7
3	VR	18	D6
4	V0	19	D5
5	V1	20	D4
6	V2	21	D3
7	V3	22	D2
8	V4	23	D1
9	CAP2N	24	D0
10	CAP2P	25	RD(E)
11	CAP1P	26	WR(RW)
12	CAP1N	27	A0
13	CAP3P	28	RES
14	VOU	29	CS1
15	Vss		

**Mechanical Data**

Item	Standard Value	Unit
Module Dimension	60.1x44.5	mm
Viewing Area	50.1x32.0	mm
Dot Pitch	0.39x0.43	mm
Dot Size	0.36x0.4	mm

**Absolute Maximum Rating**

Item	Symbol	Standard Value			Unit
		min.	typ.	max.	
Power Supply	VDD-VSS	-0.3	---	5.0	V
Input Voltage	VI	---	---	---	V

Note: VSS=0 Volt, VDD=3.3 Volt.

**Electronical Characteristics**

Item	Symbol	Condition	Standard Value			Unit
			min.	typ.	max.	
Input Voltage	VDD		2.7	3.0	3.3	V
Supply Current	IDD	VDD=3.0V	---	0.10	2.0	mA
Recommended LC Driving Voltage for Normal Temp. Version module	VDD-V0	-20°C	9.43	9.73	10.3	V
		0°C	---	---	---	
		25°C	9.20	9.45	9.70	
		50°C	---	---	---	
		70°C	8.87	9.17	9.47	
LED Forward Voltage	VF	25°C	3.4	3.5	3.6	V
LED Forward Current	IF	25°C	43.2	48	75	mA