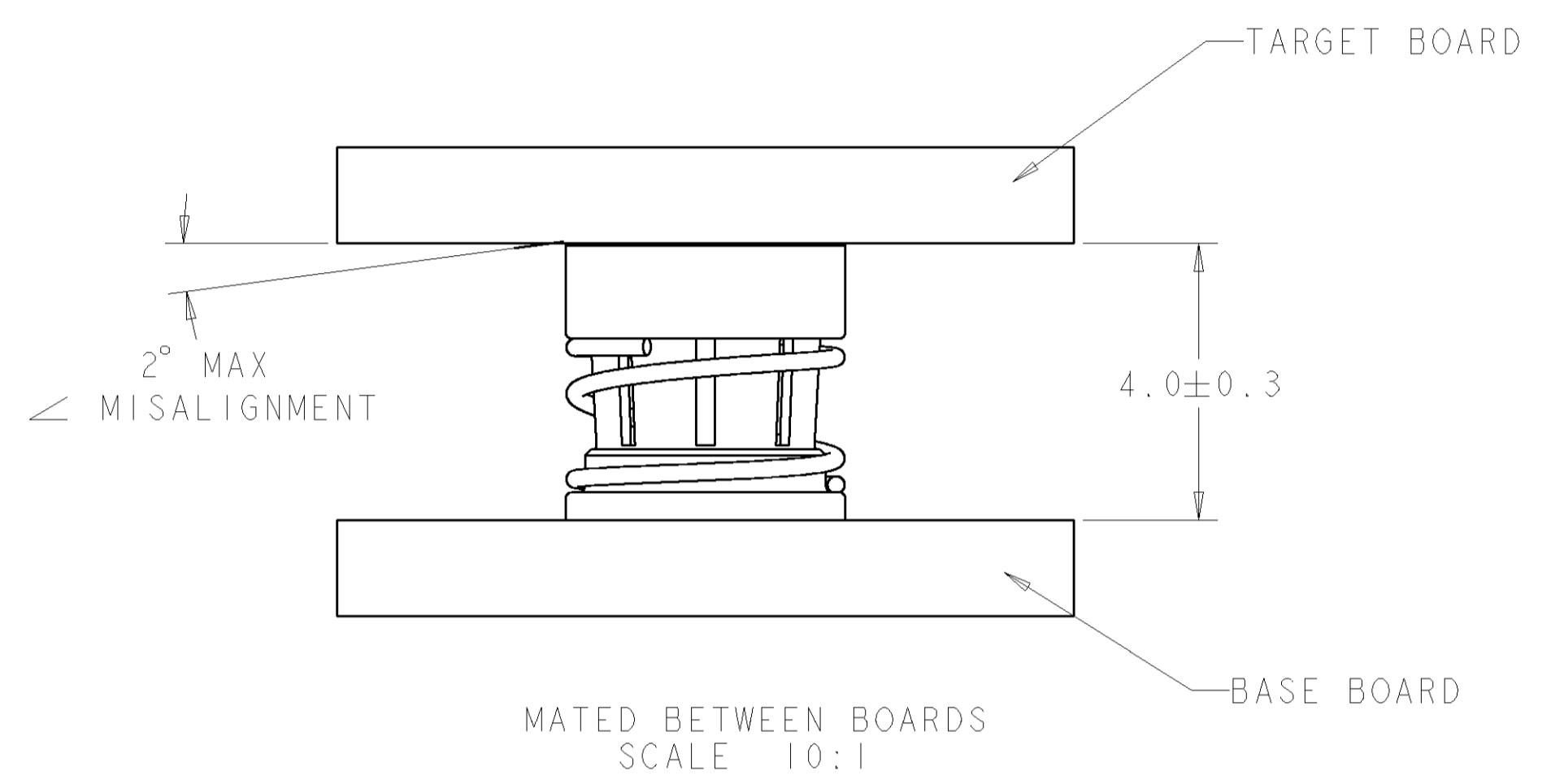
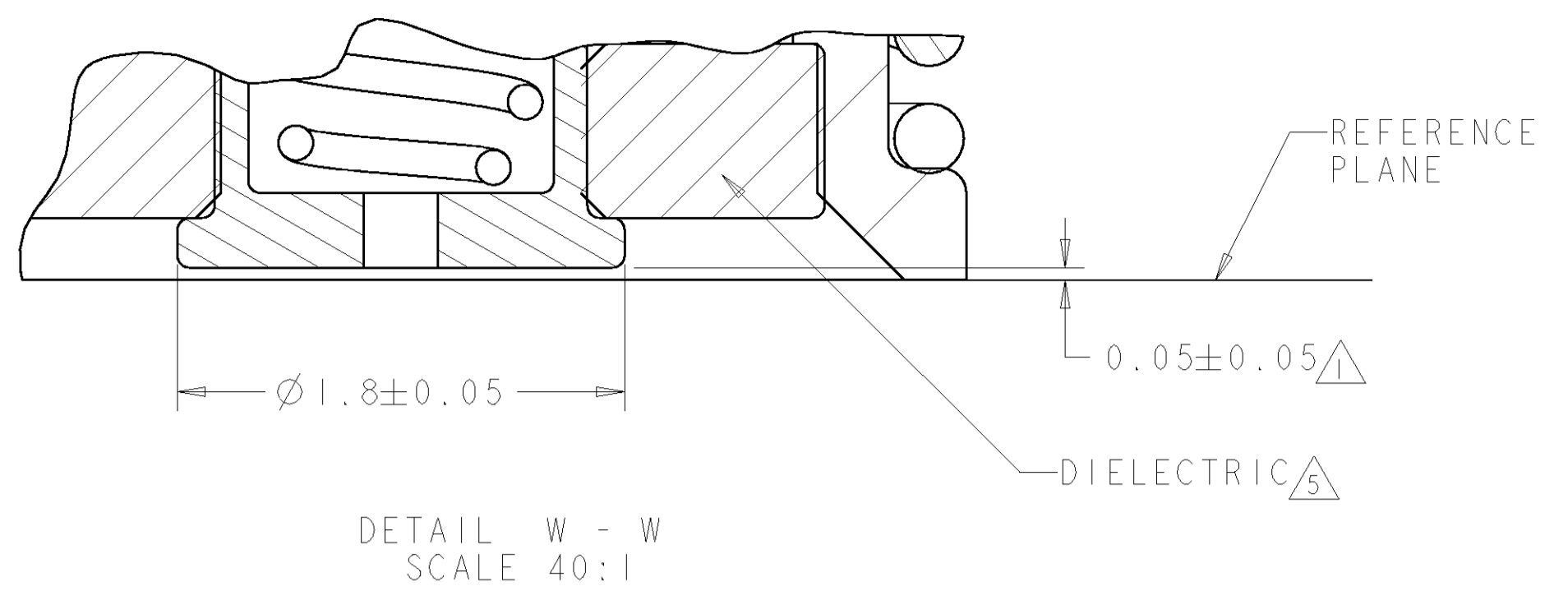
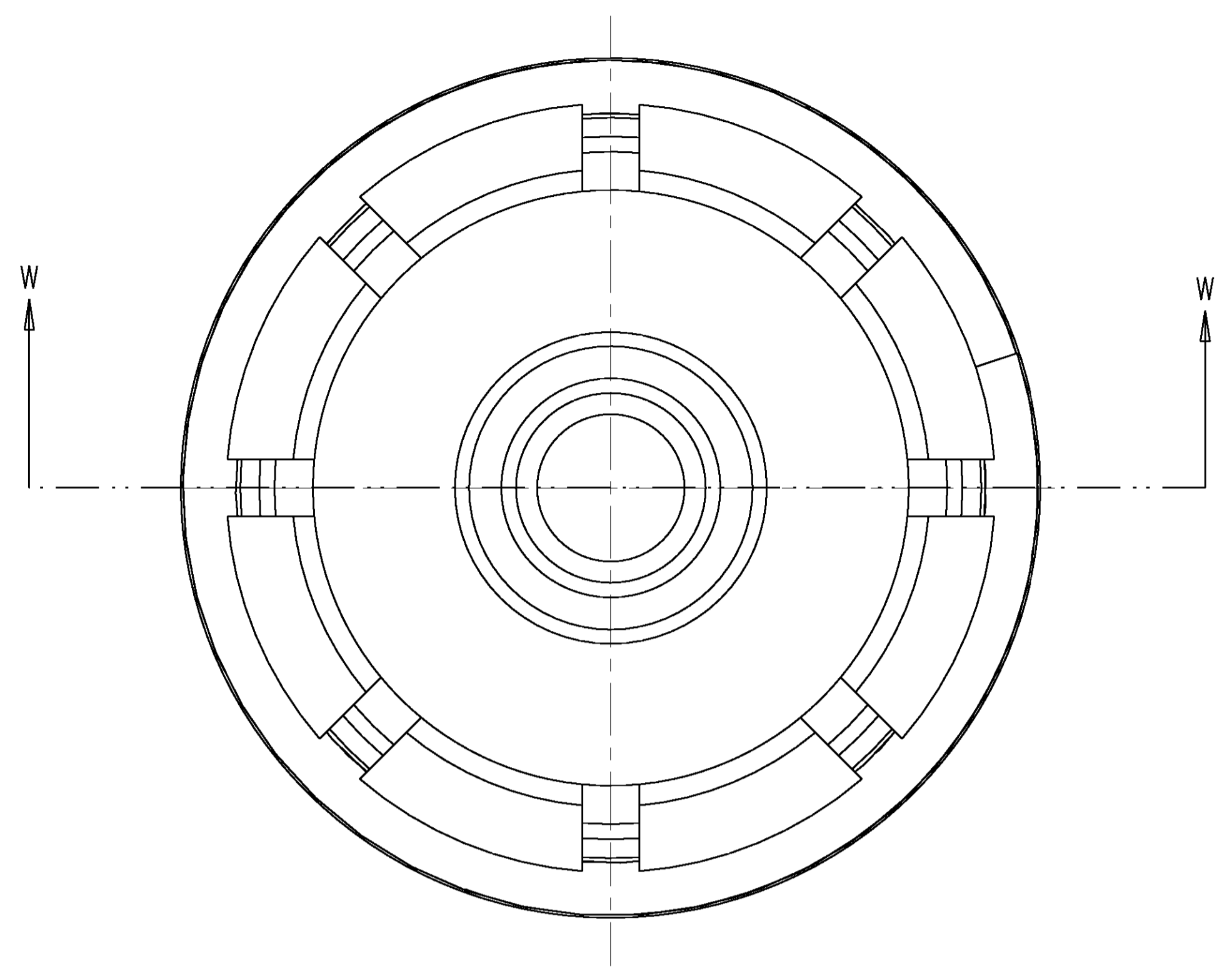
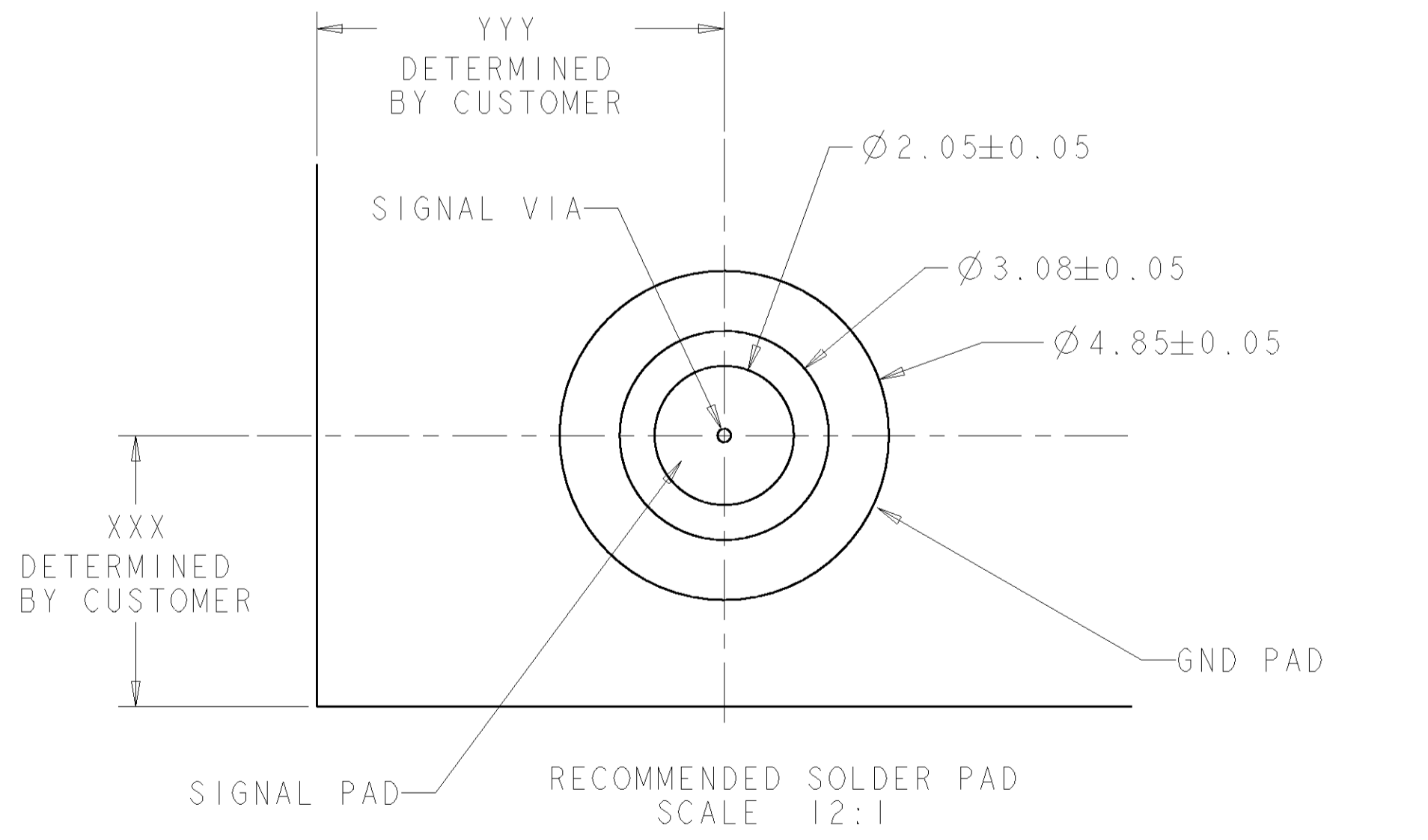
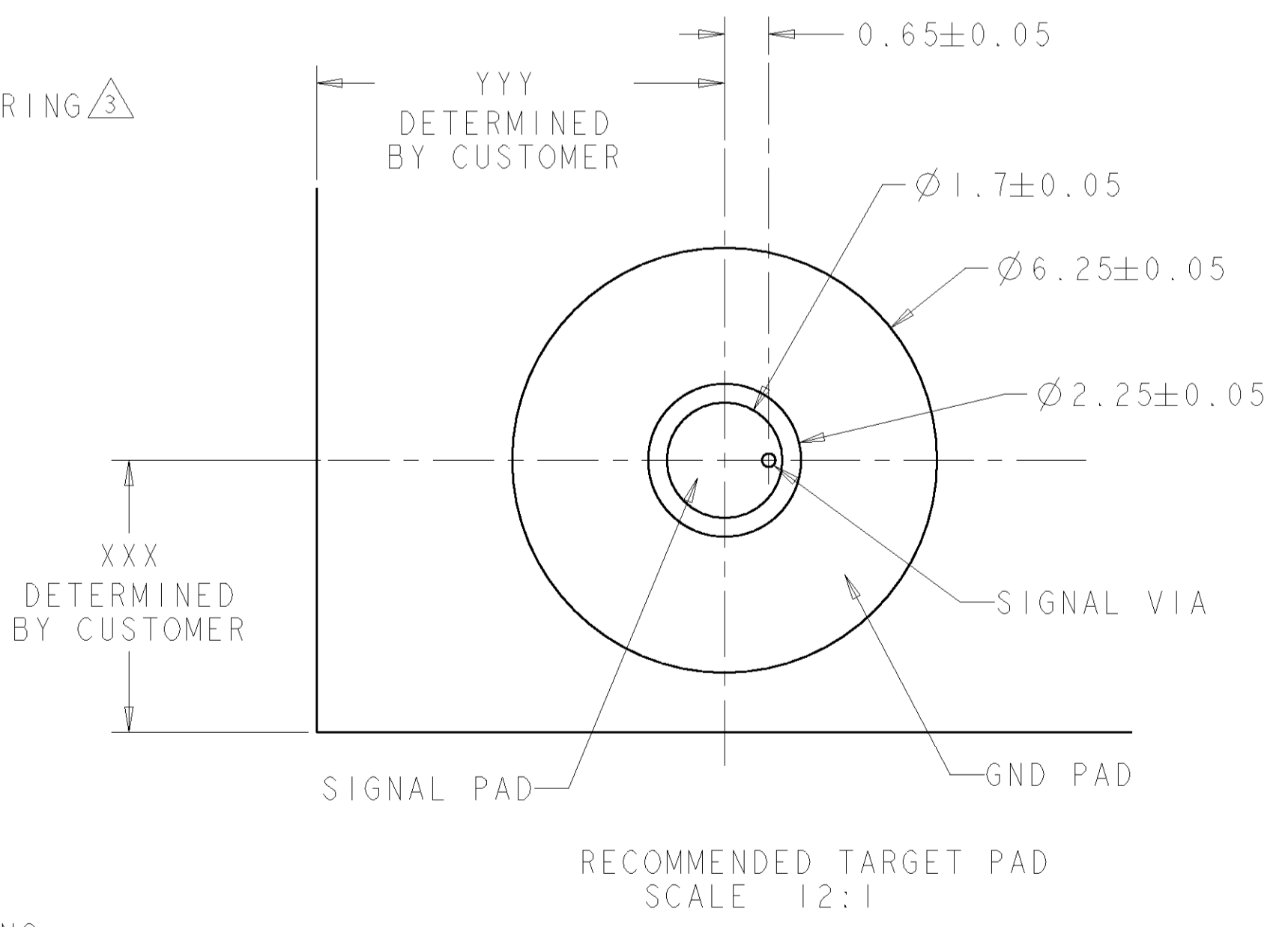
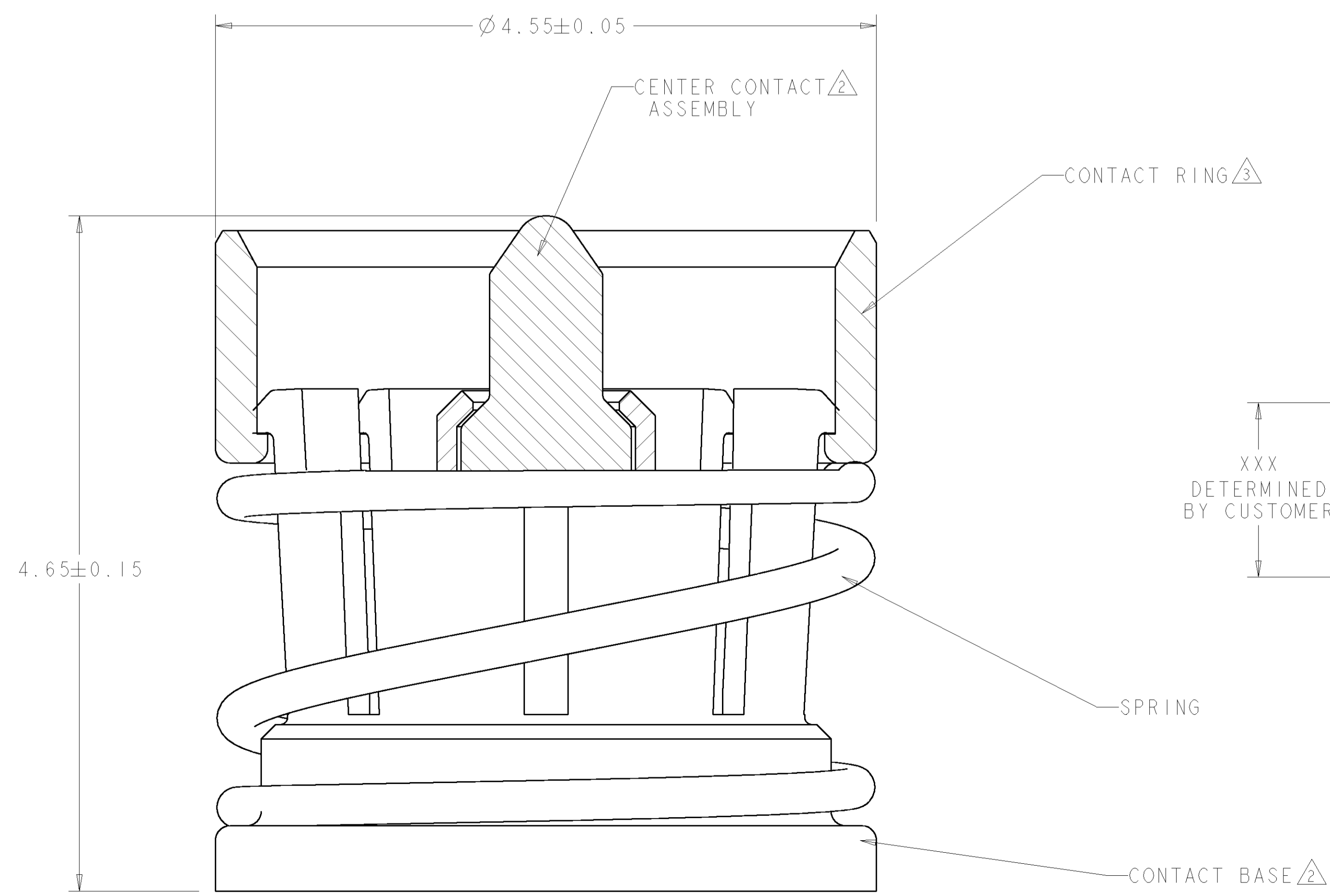
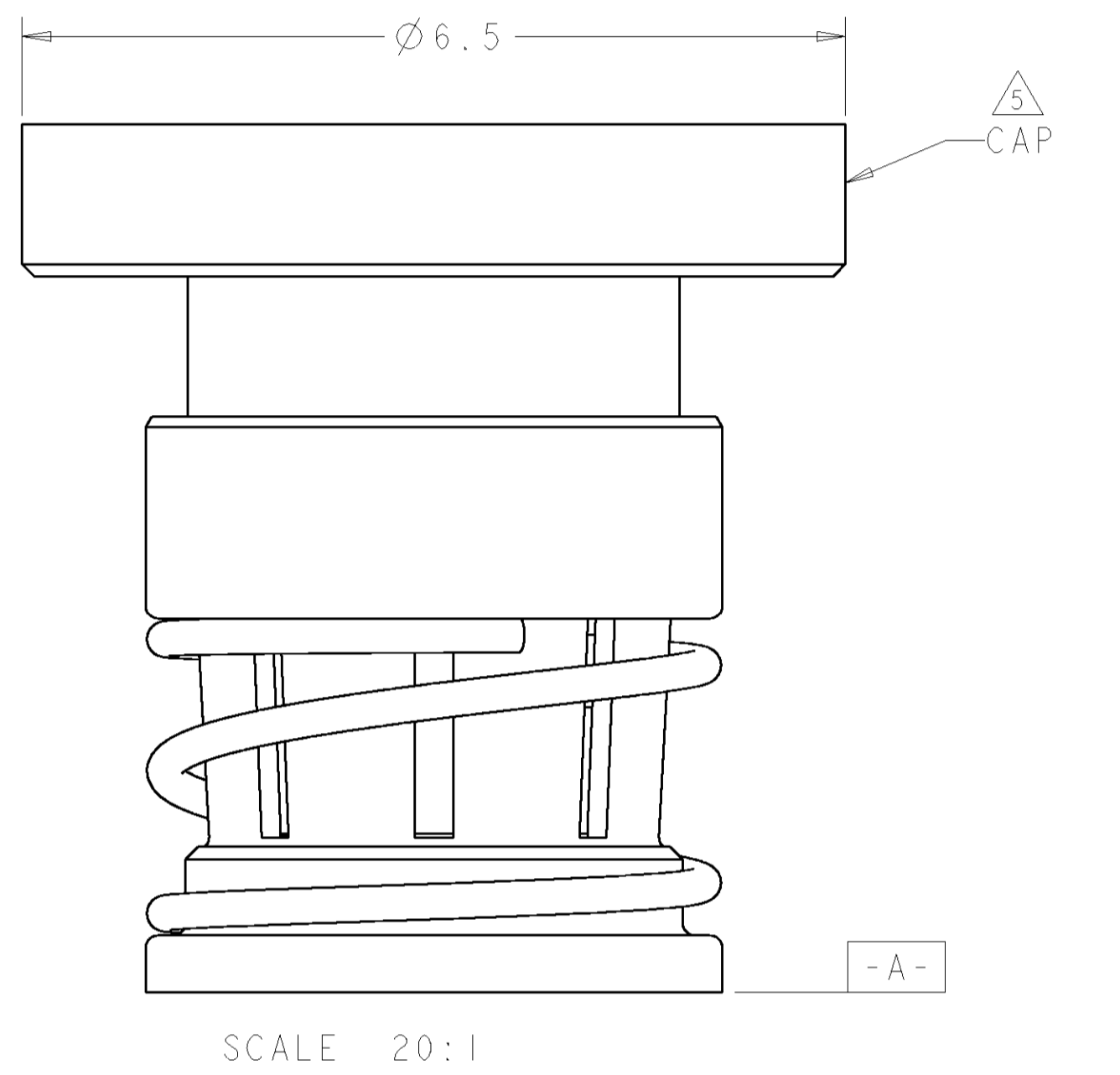


LOC	DIST	REV	DESCRIPTION	DATE	DWN	APVD
AG	00	E	REVISED PER ECO-06-011231	18MAY2006	KS	KW



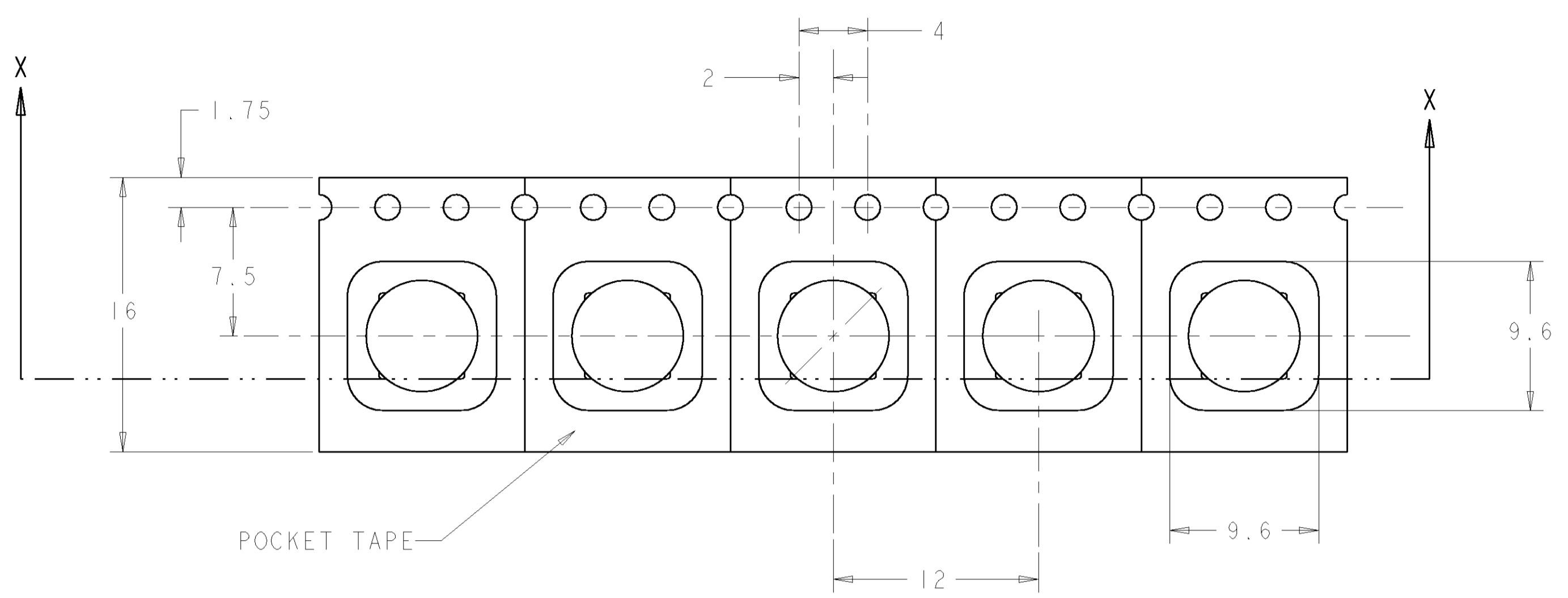
- 1 POSITION CENTER CONTACT
- 2 MATERIAL: PHOS - BRONZE, PLATING: 0.3 - 0.5 μm MIN GOLD OVER 4.0 - 6.0 μm MIN NICKEL.
- 3 MATERIAL: BRASS, PLATING: 0.3 - 0.5 μm MIN GOLD OVER 4.0 - 6.0 μm MIN NICKEL.
- 4 MISALIGNMENT BETWEEN CONNECTOR AXIS AND TARGET PAD, 0.80 mm MAX.
- 5 MATERIAL: PTFE



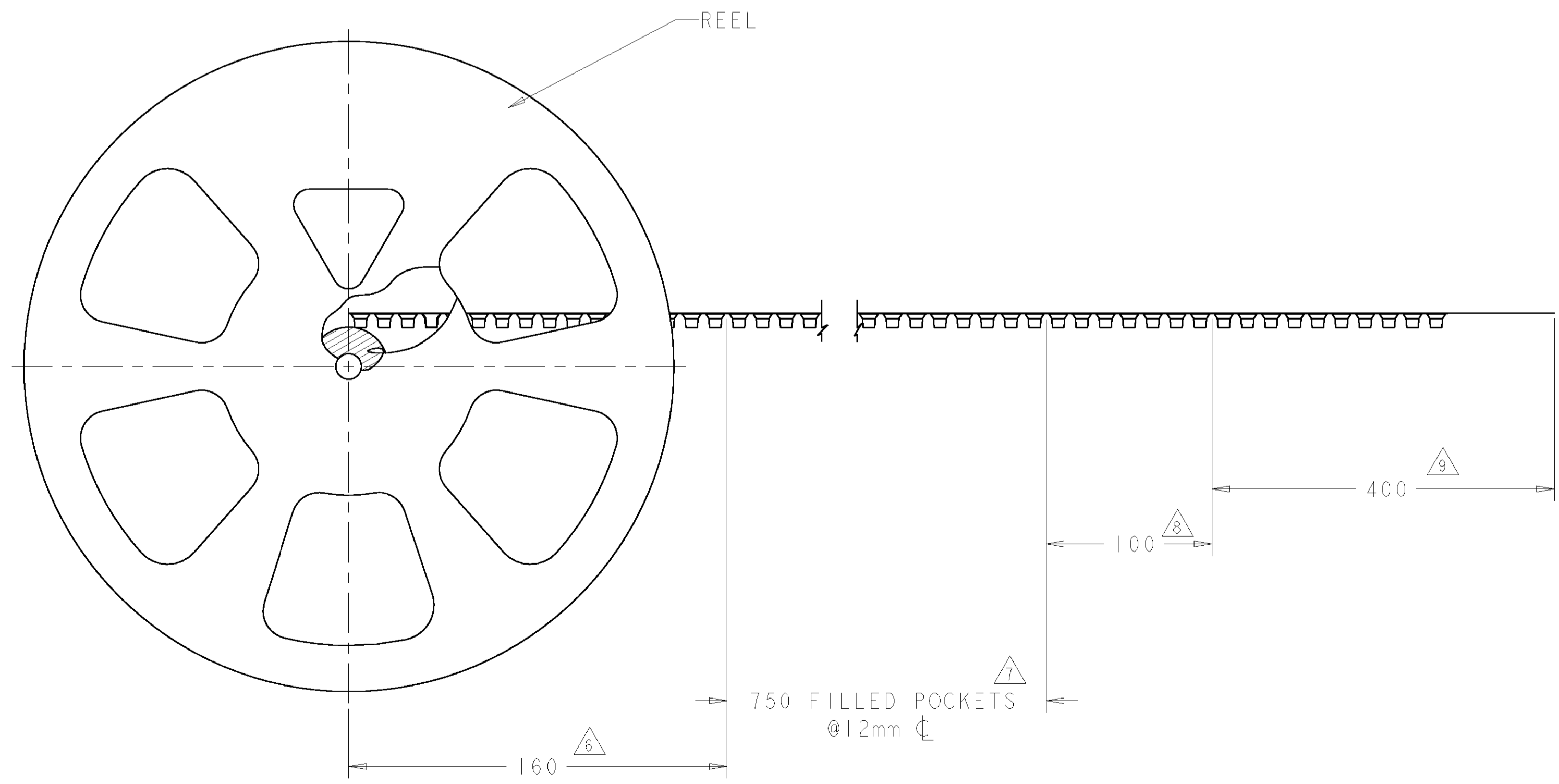
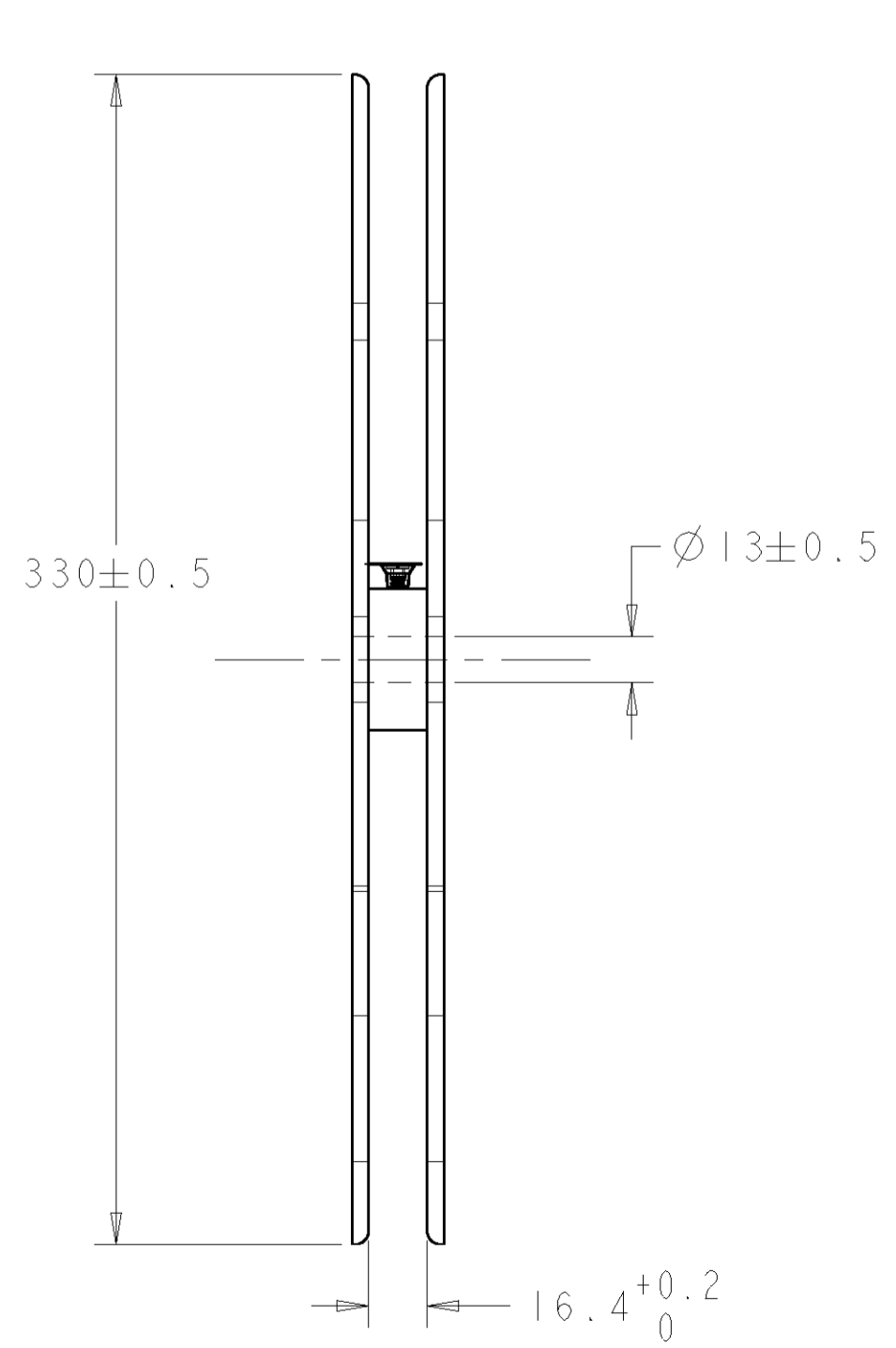
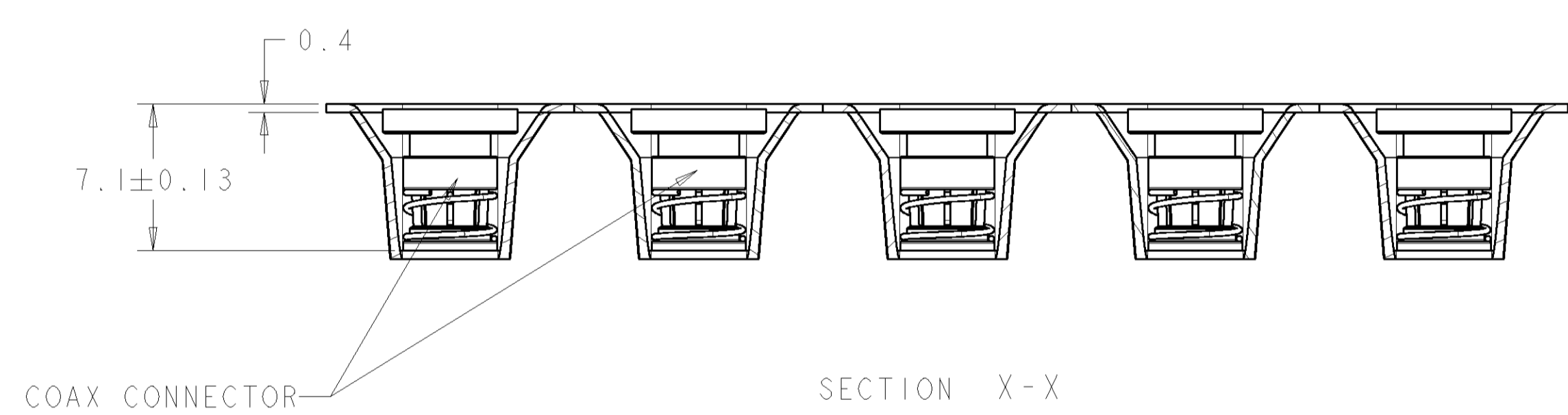
QTY	DESCRIPTION	PART NUMBER
750	REELED CONNECTOR	1658260-2
L/P	COAX CONNECTOR	1658260-1

DIMENSIONS: mm 		TOLERANCES UNLESS OTHERWISE SPECIFIED: 0 PLC ± 1 PLC ±0.2 2 PLC ±0.05 3 PLC ± 4 PLC ± ANGLES ± FINISH ±		DWN: JIM VAN SLOO 21JAN2003 ENR: M. PHILLIPS 21JAN2003 APVD: M. PHILLIPS 21JAN2003 PRODUCT SPEC APPLICATION SPEC WEIGHT CUSTOMER DRAWING		Tyco Electronics Harrisburg, PA 17105-3608 NAME: CONNECTOR, COAXIAL, BOARD TO BOARD, 4.0 mm HEIGHT SIZE: A1 CAGE CODE: 00779 DRAWING NO: 1658260 RESTRICTED TO: E	
SCALE 40:1		SHEET 1 OF 2		REV E			

LOC		DIST		REVISIONS			
P	LTR	DESCRIPTION	DATE	DWN	APVD		
-	-	SEE SHEET 1	-	-	-		



- △ 6 TRAILER, EMPTY POCKETS WITH COVER TAPE.
- △ 7 CARRIER POCKETS FILLED WITH 1658260-2, WITH COVER TAPE.
- △ 8 LEADER, EMPTY POCKETS WITH COVER TAPE.
- △ 9 LEADER COVER TAPE.
- 10. REELED PRODUCT PER SPEC EIA 481



DIMENSIONS:		TOLERANCES UNLESS OTHERWISE SPECIFIED:		DWG		REV		DATE		NAME		SIZE		CAGE CODE		DRAWING NO		RESTRICTED TO		
mm		0 PLC	±	0	1	2	3	4	5	6	7	8	9	10	11	12	13	14	15	16
		1 PLC	±0.2																	
		2 PLC	±0.05																	
		3 PLC	±																	
		4 PLC	±																	
		ANGLES	±																	
		FINISH	±																	