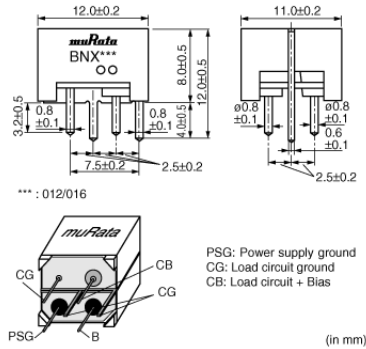


BNX012-01

In Production RoHS REACH

Appearance & Shape



Features

The block type "EMIFIL" BNX010 series is high performance and BNX series provide excellent noise suppression on DC power lines.

Features

1. High insertion loss characteristic over a wide frequency band range.
1MHz to 1GHz: 40dB min (BNX012)
100kHz to 1GHz: 40dB min (BNX016)
2. Large rated current (15A) and Low Rdc (0.8m ohm-typ.)
3. Low profile (height: 8.0mm except lead terminal)
4. Effective for impulse noise such as electrostatic discharge or spike noise.

Applications

Applications

1. Displays (PDP/LCD-TV)
2. Digital AVEquipment
3. Amusement equipment
4. PC peripheral equipment
5. Industry equipment

| | |
|-------------|-------------|
| Other Usage | For general |
|-------------|-------------|

Packaging Information

| Packaging | Specifications | Minimum Order Quantity |
|-----------|----------------|------------------------|
| - | Box | 150 |

Attention

- 1.This datasheet is downloaded from the website of Murata Manufacturing Co., Ltd. Therefore, it's specifications are subject to change or our products in it may be discontinued without advance notice. Please check with our sales representatives or product engineers before ordering.
- 2.This datasheet has only typical specifications because there is no space for detailed specifications.
Therefore, please review our product specifications or consult the approval sheet for product specifications before ordering.

BNX012-01

Specifications

| | |
|-----------------------------|---|
| Shape | Lead |
| Length | 12.0mm |
| Length Tolerance | ±0.2mm |
| Width | 11.0mm |
| Width Tolerance | ±0.2mm |
| Thickness | 8.0mm |
| Thickness Tolerance | ±0.5mm |
| Rated Current | 15A |
| Operating Temperature Range | -40°C to 125°C |
| Mass(typ.) | 2.0g |
| Rated Voltage | 50Vdc |
| Withstanding Voltage | 125Vdc |
| Insulation Resistance(min.) | 500MΩ |
| Insertion Loss | 1MHz to 1GHz:40dB min. (Line impedance=50Ω) |

Attention

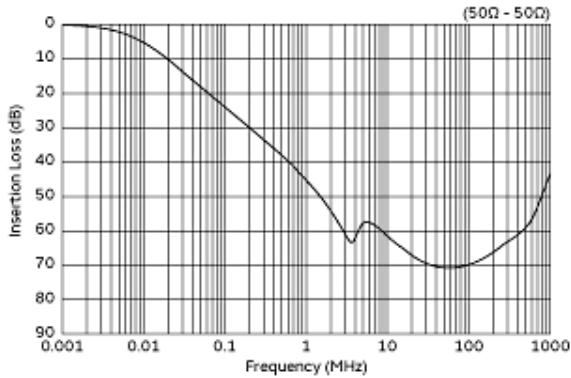
1.This datasheet is downloaded from the website of Murata Manufacturing Co., Ltd. Therefore, it's specifications are subject to change or our products in it may be discontinued without advance notice. Please check with our sales representatives or product engineers before ordering.

2.This datasheet has only typical specifications because there is no space for detailed specifications.

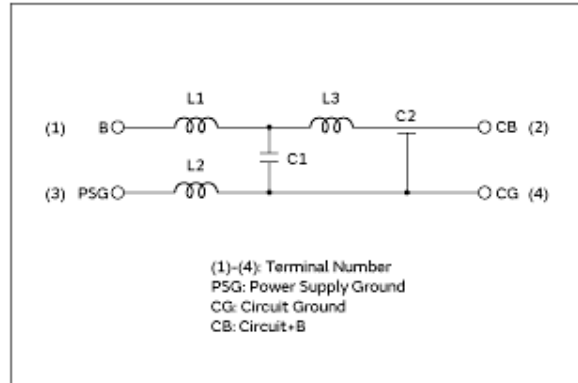
Therefore, please review our product specifications or consult the approval sheet for product specifications before ordering.

BNX012-01

Product Data



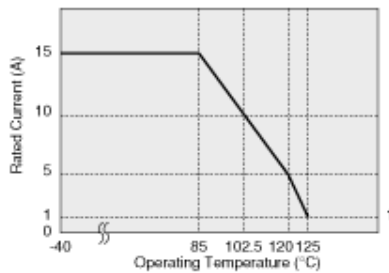
Insertion Loss Characteristics



Equivalent Circuit

In operating temperature exceeding +85°C, derating of current is necessary for BNX01□ series. Please apply the derating curve shown in chart according to the operating temperature.

Derating of Rated Current



Derating of Rated Current

In case of using ± power line, please connect to each terminal as shown.

| Power Supply (BNX Input) | BNX | Circuit (BNX Output) |
|--------------------------|--------|-----------------------|
| Power Supply + Bias | B CB | - Load Circuit + Bias |
| Power Supply Ground | PSG CG | - Load Circuit Ground |
| Power Supply - Bias | B CB | - Load Circuit - Bias |
| Power Supply Ground | PSG CG | - Load Circuit Ground |

Derating of Rated Current

Attention

- 1.This datasheet is downloaded from the website of Murata Manufacturing Co., Ltd. Therefore, it's specifications are subject to change or our products in it may be discontinued without advance notice. Please check with our sales representatives or product engineers before ordering.
- 2.This datasheet has only typical specifications because there is no space for detailed specifications. Therefore, please review our product specifications or consult the approval sheet for product specifications before ordering.