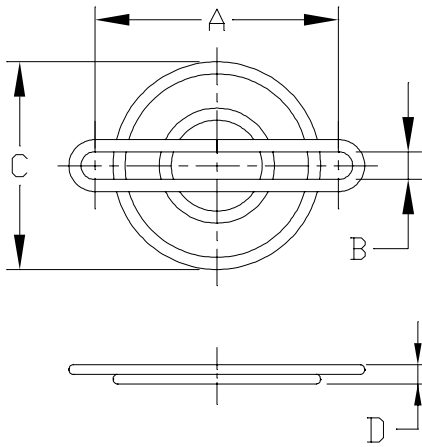
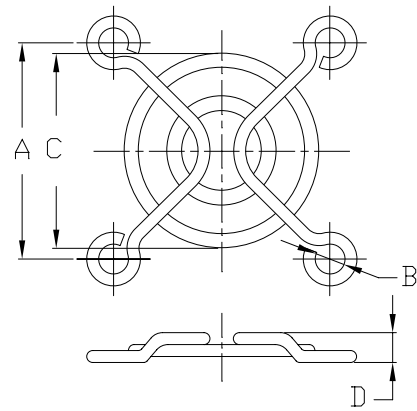


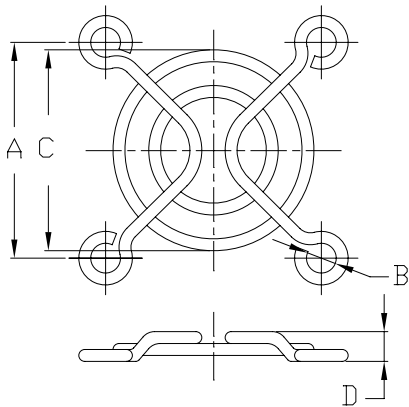
Metal Fan Guard



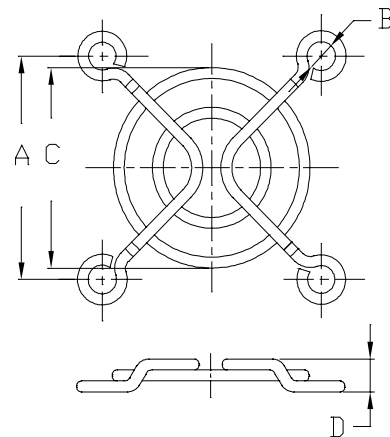
| MODEL | A | B | C | D |
|---------------|------|-----|------|-----|
| K-G02C02-2PAU | 28.2 | 3.2 | 24.0 | 2.5 |



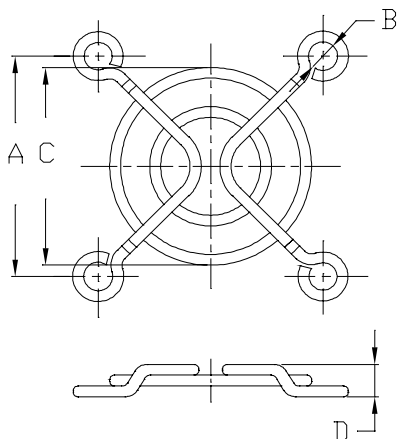
| MODEL | A | B | C | D |
|--------------|----|-----|------|-----|
| K-G03C02-4HA | 24 | 3.2 | 21.8 | 4.8 |



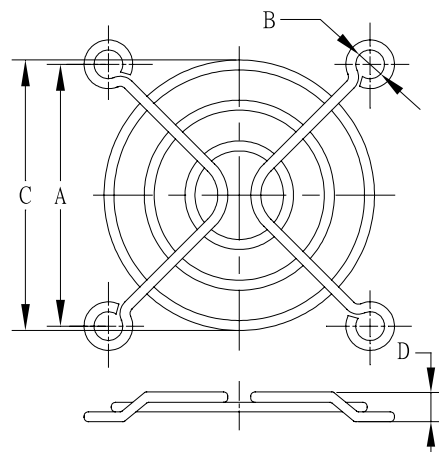
| MODEL | A | B | C | D |
|--------------|----|---|----|---|
| K-G0BD02-4HA | 29 | 4 | 27 | 4 |



| MODEL | A | B | C | D |
|--------------|----|-----|------|-----|
| K-G04D02-4HA | 32 | 4.0 | 29.1 | 4.8 |

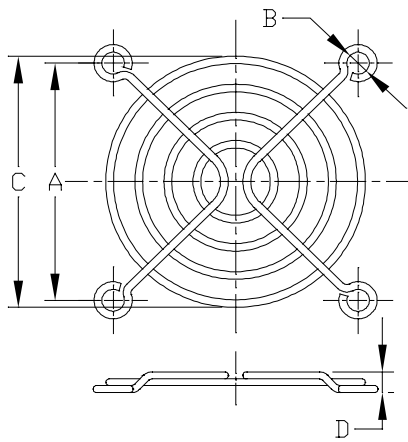


| MODEL | A | B | C | D |
|--------------|----|-----|------|-----|
| K-G04B02-4HB | 32 | 4.6 | 31.5 | 4.0 |

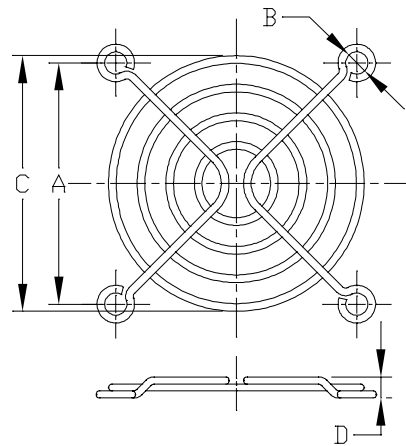


| MODEL | A | B | C | D |
|--------------|----|-----|------|-----|
| K-G05B03-4HB | 40 | 4.6 | 41.1 | 4.8 |

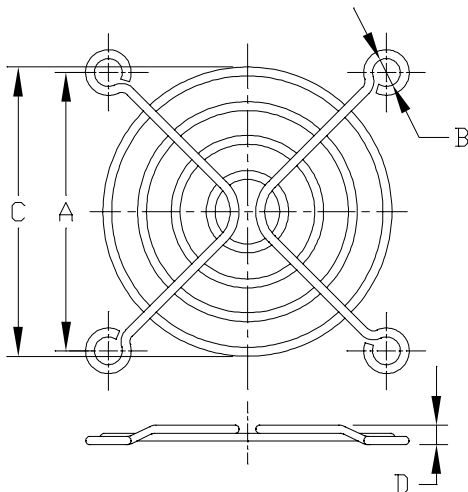
Metal Fan Guard



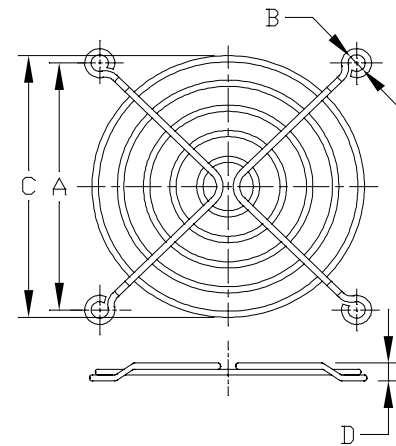
| MODEL | A | B | C | D |
|--------------|----|-----|----|-----|
| K-G06B04-4HA | 50 | 4.6 | 53 | 4.4 |



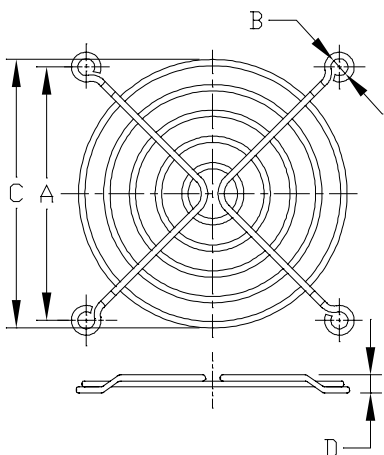
| MODEL | A | B | C | D |
|--------------|----|-----|----|-----|
| K-G06B04-4HB | 50 | 4.6 | 53 | 5.2 |



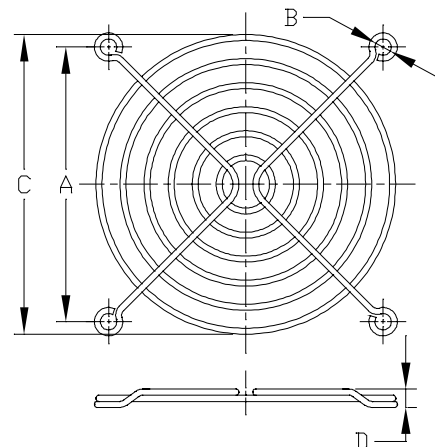
| MODEL | A | B | C | D |
|--------------|------|-----|------|-----|
| K-G07F04-4HA | 61.5 | 4.5 | 64.2 | 4.0 |



| MODEL | A | B | C | D |
|--------------|------|-----|----|-----|
| K-G08A05-4HA | 71.5 | 4.9 | 76 | 5.5 |

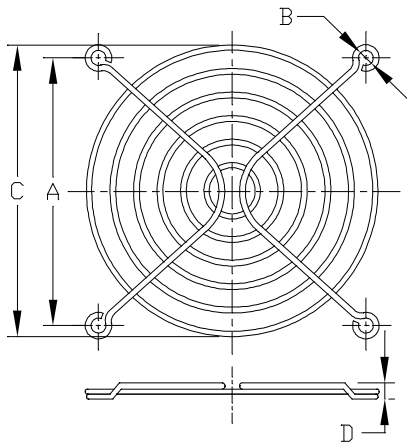


| MODEL | A | B | C | D |
|--------------|------|-----|----|-----|
| K-G08B05-4HA | 71.5 | 4.6 | 76 | 5.5 |

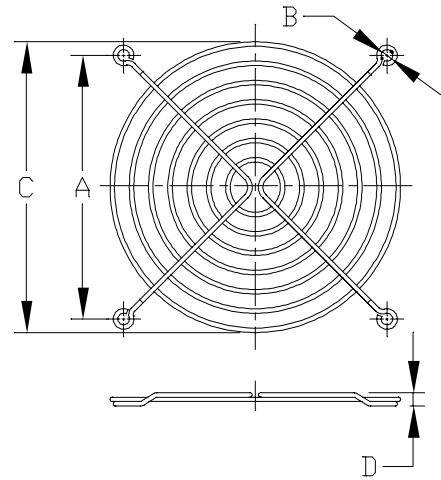


| MODEL | A | B | C | D |
|--------------|------|-----|----|-----|
| K-G09A06-4HA | 82.5 | 4.9 | 90 | 5.5 |

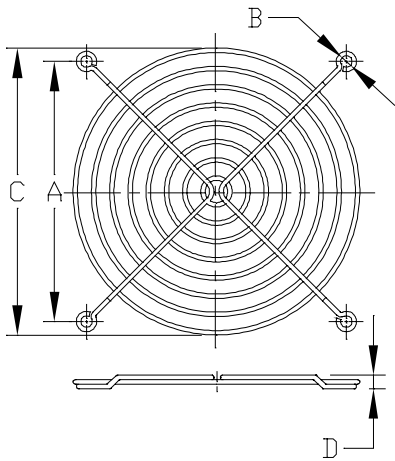
Metal Fan Guard



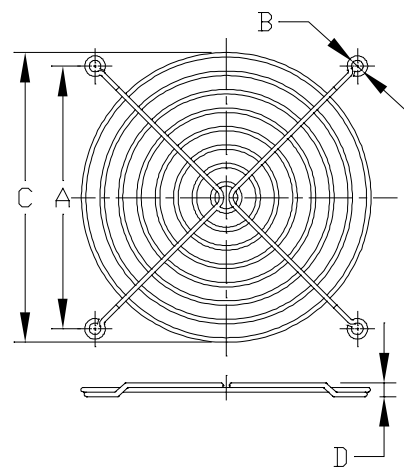
| MODEL | A | B | C | D |
|--------------|------|-----|------|-----|
| K-G09B06-4HB | 82.4 | 4.6 | 89.8 | 5.0 |



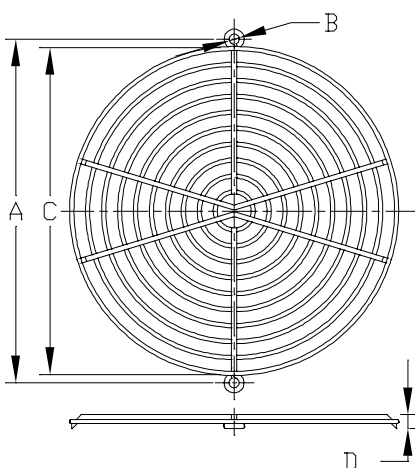
| MODEL | A | B | C | D |
|--------------|-----|-----|-------|-----|
| K-G12B07-4HA | 105 | 4.6 | 115.6 | 5.5 |



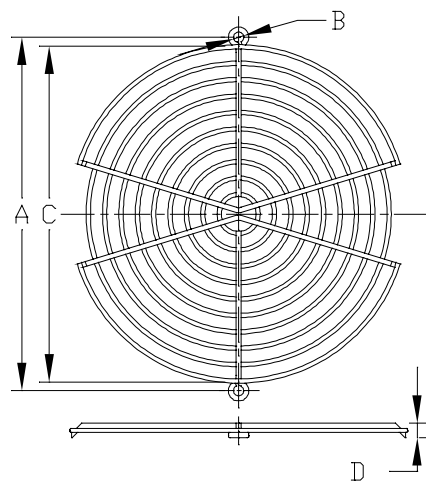
| MODEL | A | B | C | D |
|--------------|-----|-----|-------|-----|
| K-G12B08-4HA | 105 | 4.6 | 115.6 | 5.5 |



| MODEL | A | B | C | D |
|--------------|-----|-----|-------|-----|
| K-G12A08-4HA | 105 | 4.9 | 115.6 | 5.5 |



| MODEL | A | B | C | D |
|--------------|-----|-----|-------|------|
| K-G17H10-2HA | 162 | 4.8 | 154.4 | 6.45 |



| MODEL | A | B | C | D |
|--------------|-----|-----|-------|------|
| K-G17H10-2HB | 162 | 4.8 | 154.4 | 6.45 |