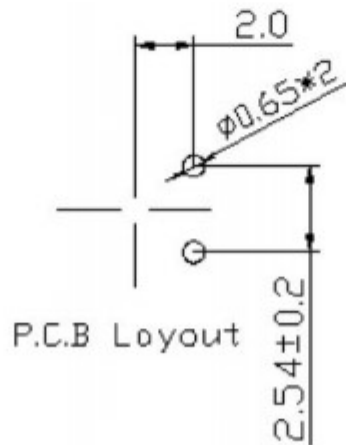
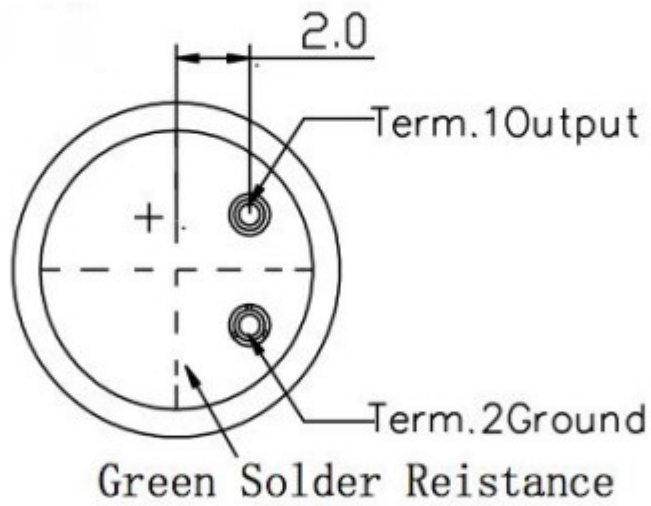
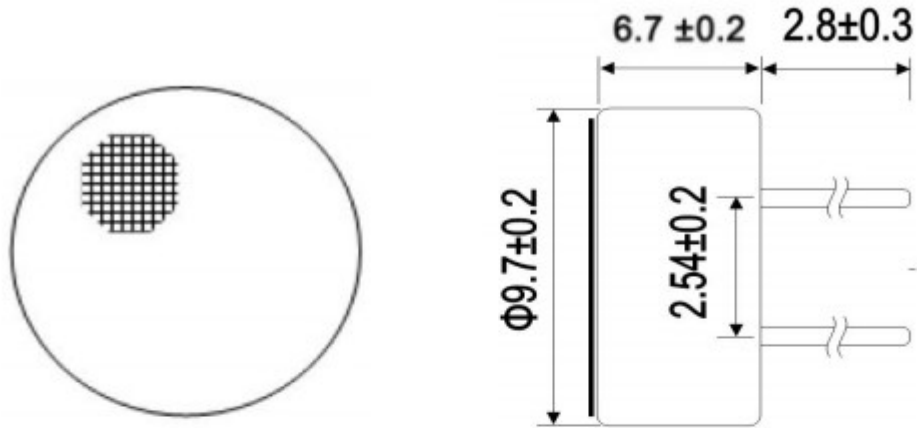


# Product Number EM-9767P

## Product External and Dimension



Unit: mm