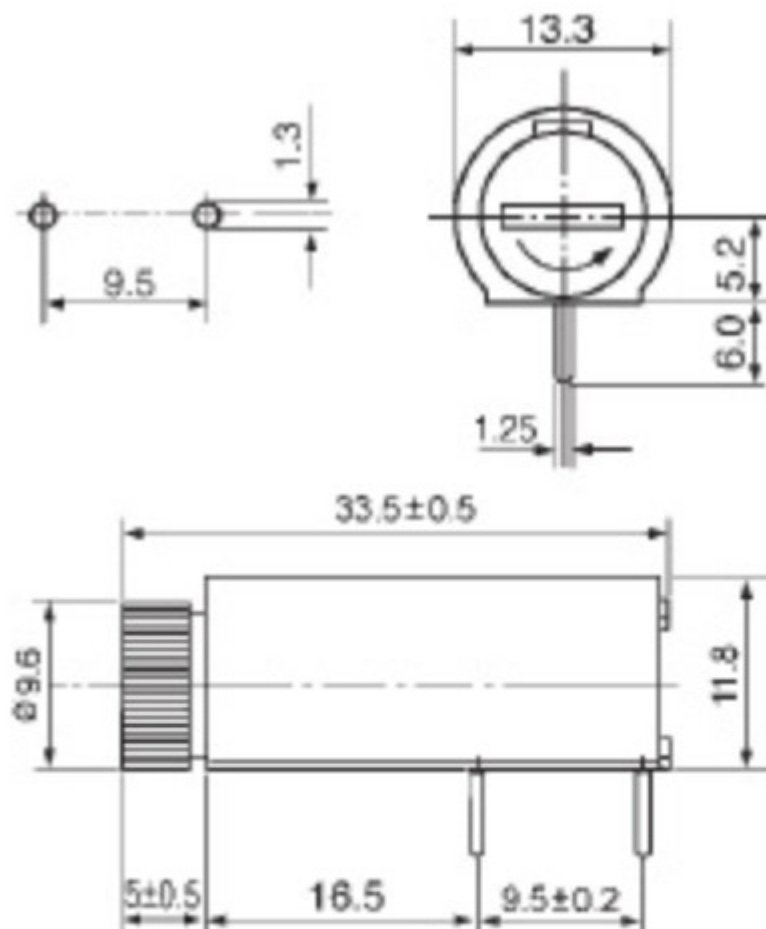


## Product details:



Suitable fuse: 5.2 x 20mm

Maximum rated value: 10A. 250V. AC

Holder: ABS/PC Metal

Pole: Silver-plating brass