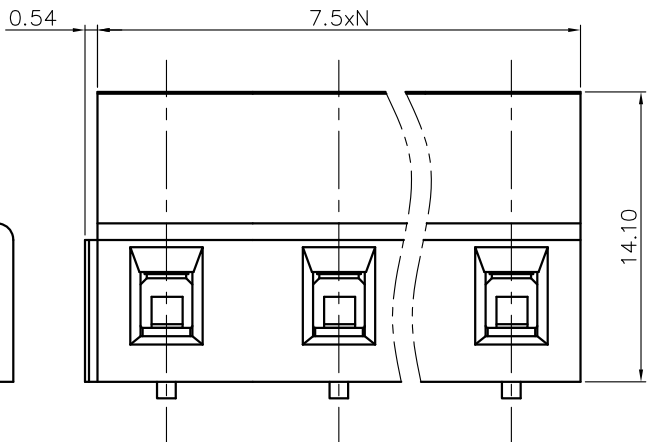
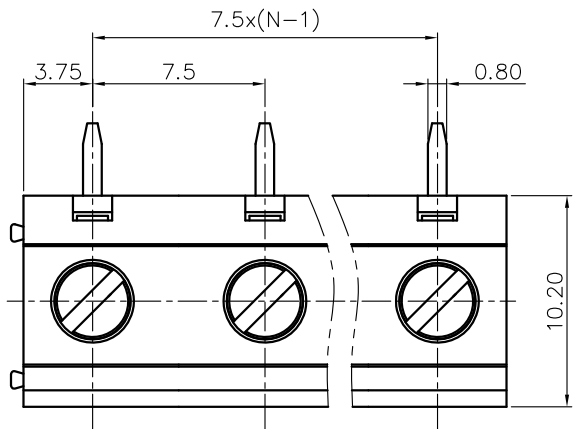
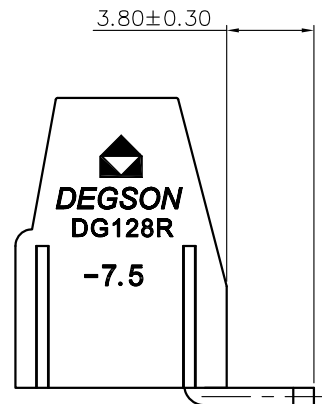
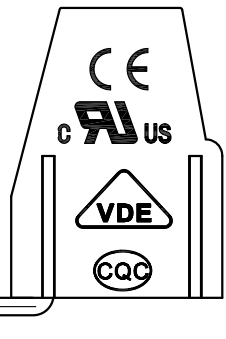


REVISION RECORD				
REV	ECN	DESCRIPTION	DRFT	DATE



0.80



NOTES1:

UL Standard

- 1.Rated Voltage/Current : 300V / 20A
- 2.Torque Value : M2.5 , 3.54Lb.in
- 3.Wire Range : 30~12AWG

IEC Standard

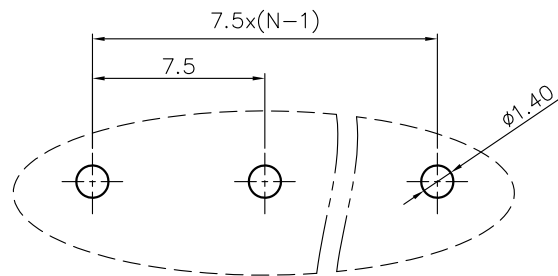
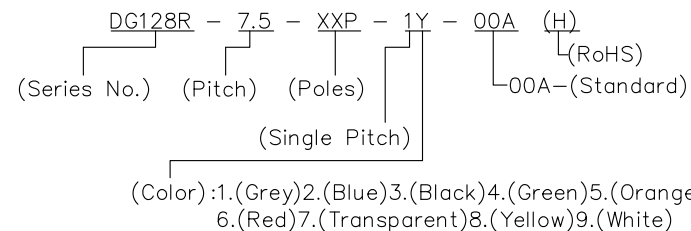
- 1.Rated Voltage/Current : 450V / 18A
- 2.Torque Value : M2.5 , 0.4N.m
- 3.Wire Range : 2.5mm²

NOTES2:

- 1.Dimension shall be interpreted per ASME Y14.5-2009
- 2.Pitch : 7.5mm, Poles : N=02~XXP
- 3.Stripping length : 6~7mm
- 4.Withstanding Voltage : AC2500V/1Min.
- 5.Operating temperature:-40°C~+105°C
- 6.Undimensioned Tolerances:

Pitch range in mm		Nominal dimension range in mm				⊖	⊕	∠
TO	Over	TO	Over	TO	Over	0.1/10		
6	6 TO 10	10 TO 24	30 TO 60	60 TO 100	100 TO 150	≤		
±0.15	±0.20	±0.30	±0.30	±0.50	±0.70	±1.00	±1.30	±2'

7.RoHS Compliance



PCB LAYOUT

DETACHED LISTS	PART NO.:	/			
	APPD:	/			
	CHKD:	/			
	DRFT:	/			
	<p>THIRD ANGLE PROJECTION</p>		<p>MM (INCH)</p>		
<p>宁波高松电子有限公司 NINGBO DEGSON ELECTRICAL CO., LTD</p>		<p>NAME: DG128R-7.5-XXP-1Y-00A(H)</p>			
<p>TITLE: CUSTOMER DRAWING</p>		REV	D0		
<p>DRAWING NO.:</p>		SHEET	1/1		
<p>DO NOT SCALE DRAWING</p>		SCALE	1:1		