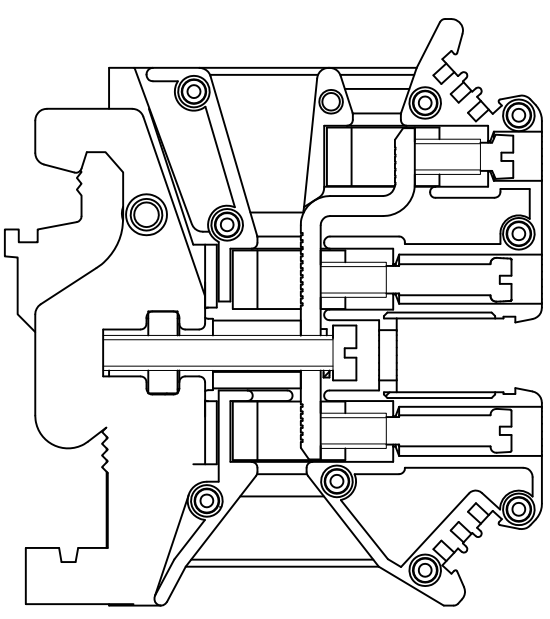
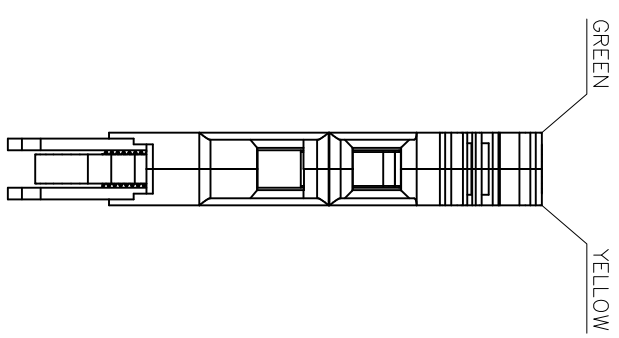
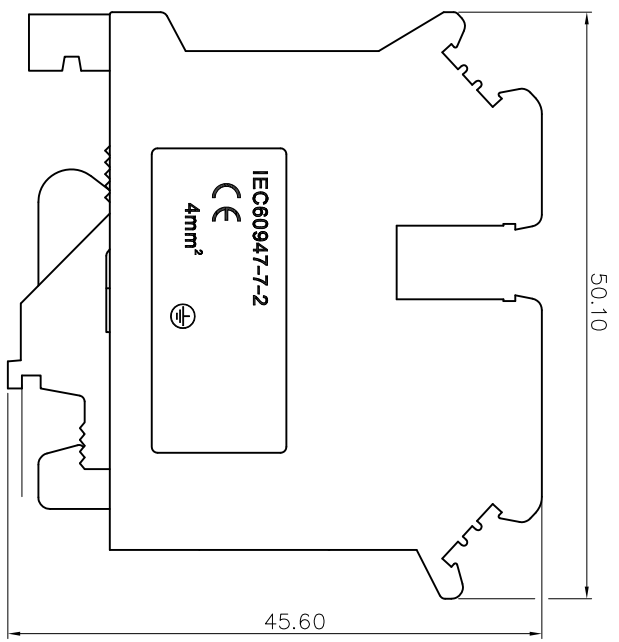
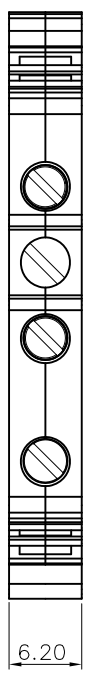


REVISION RECORD				
REV	ECN	DESCRIPTION	DRFT	DATE



NOTES1:

- UL Standard
- 1.Torque value : M3 , 4.43Lb.in
- 2.Wire range : 24~12AWG

NOTES2:

- 1.Dimension shall be interpreted per ASME Y14.5-2009
- 2.Pitch : 6.20mm, Poles : N=01P
- 3.Stripping length : 7~8mm
- 4.Operating temperature: -40°C~+105°C
- 5.Undimensioned tolerances:

- IEC Standard
1. Pollution degree
 2. Torque value : M3 , 0.5N·m
 3. Wire range : 0.2~4.0mm²

Pitch range in mm	Nominal dimension range in mm	Over	Over	Over	Over	Over	Over	Over	Over
6	10	10	30	60	100	150	0.1/10	0.1/10	0.1/10
TO 10	TO 24	TO 30	TO 60	TO 100	TO 150	TO 150	TO 150	TO 150	TO 150
±0.15	±0.20	±0.30	±0.30	±0.50	±0.70	±1.00	±1.30	±2°	±2°

6.RoHS Compliance

DETACHED LISTS			
PART NO.:	/	NAME:	DEGSON NINGBO DEGSON ELECTRICAL CO., LTD 宁波高松电子有限公司
APPD.:	/	TITLE:	CUSTOMER DRAWING
CHKD.:	/	DRAWING NO.:	/
DRFT.:	/	REV	DO
THIRD ANGLE PROJECTION		DO NOT SCALE DRAWING	SCALE
		SCALE	1:1

A 8 7 6 5 4 3 2 1