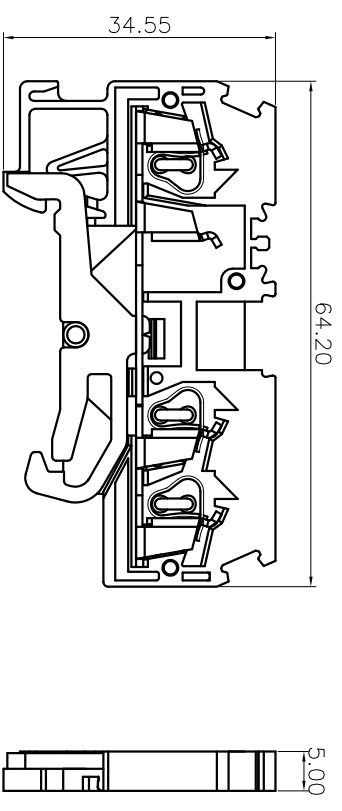
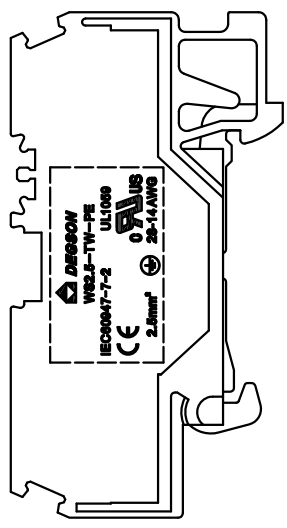


REVISION RECORD			
REV	ECN	DESCRIPTION	DRFT DATE



NOTES:
 UL Standard
 1. Wire range : 28~14AWG

IEC Standard

Pollution degree	3
Overvoltage category	III
Rate impulse voltage(KV)	8.0KV
Rate voltage(V)	/ V
Rate current(A)	/ A

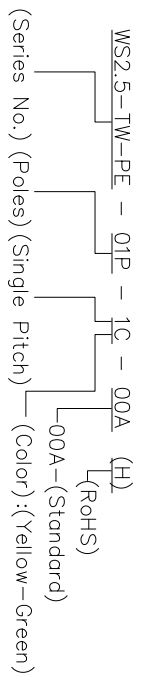
2. Wire range : 0.2~2.5mm²

NOTES2:

1. Dimension shall be interpreted per ASME Y14.5-2009
2. Pitch : 5.0mm, Poles : 01P
3. Stripping length : 11~12mm
4. Operating temperature: -40°C~+105°C
5. Undimensioned tolerances:

Pitch range	in		mm		Nominal dimension	range	
	mm	in	mm	in		mm	in
Over	10	TO	Over	60	TO	Over	0.1/10
TO	10	TO	TO	60	TO	TO	<
6	10	24	30	60	100	150	
±0.15 ±0.20 ±0.30 ±0.50 ±0.70 ±1.00 ±1.30							

6. RoHS Compliance



DETACHED LISTS			
PART NO.:	/	NAME:	DEGSON NINGBO DEGSON ELECTRICAL CO., LTD 宁波高松电子有限公司
APPD:	/	TITLE:	CUSTOMER DRAWING
CHKD:	/	DRAWING NO.:	/
DRFT:	/	REV	DO
THIRD ANGLE PROJECTION		DO NOT SCALE DRAWING	SCALE
		SCALE	1:1