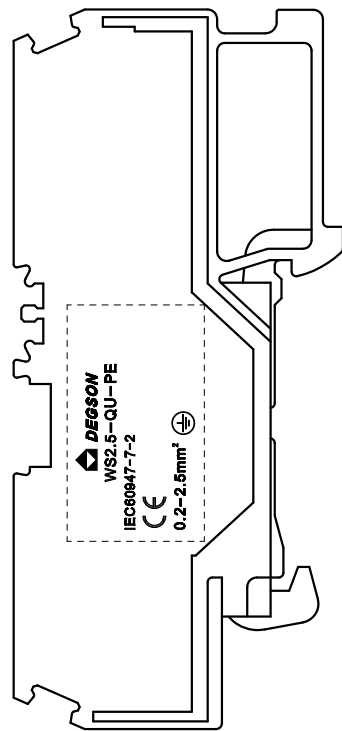


REVISION RECORD				
REV	ECN	DESCRIPTION	DRFT	DATE



NOTES1:
UL Standard
1. Wire range : 28~14AWG

IEC Standard

1. Pollution degree	3
Overvoltage category	III
Rate impulse voltage(KV)	8.0KV
Rate voltage(V)	/ V
Rate current(A)	/ A

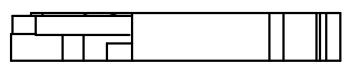
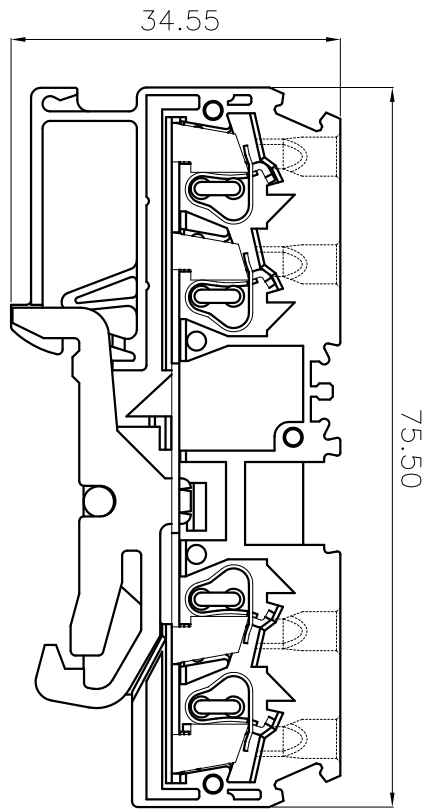
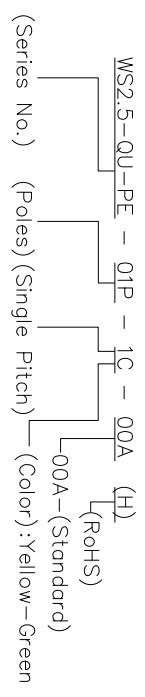
2. Wire range : 0.2~2.5mm²

NOTES2:

1. Dimension shall be interpreted per ASME Y14.5-2009
2. Pitch : 5.0mm, Poles : 01P
3. Stripping length : 11~12mm
4. Operating temperature: -40°C~+105°C
5. Undimensioned tolerances:

Pitch range in mm	Nominal dimension range		-	D
	Over	Over		
6 TO 10	10	60	0.1/10	
10 TO 24	30	100	150	
6 TO 10	24	60	100	150
±0.15±0.20±0.30±0.30±0.50±0.70±1.00±1.30 ±2°				

6. RoHS Compliance



DETACHED LISTS	
APPD:	/
UHKD:	/
DRFT:	/
THIRD ANGLE PROJECTION	
DEGSON NINGBO DEGSON ELECTRICAL CO., LTD 宁波高松电子有限公司	
WS2.5-QU-PE-01P-1C-00A(H)	
CUSTOMER DRAWING	
SCALE	1:1