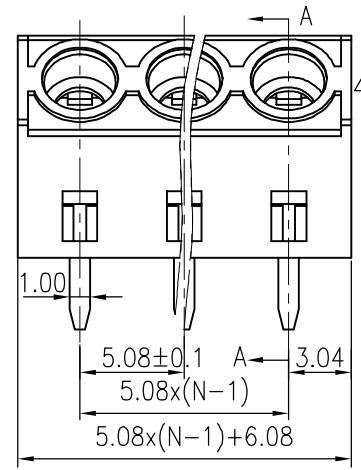
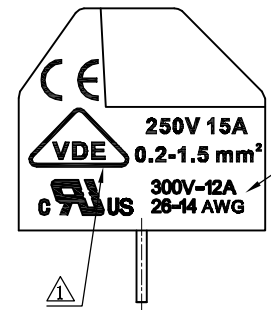


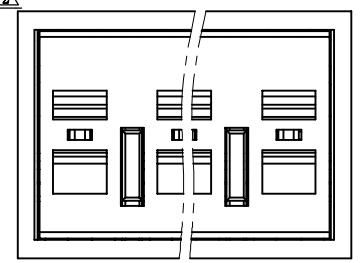
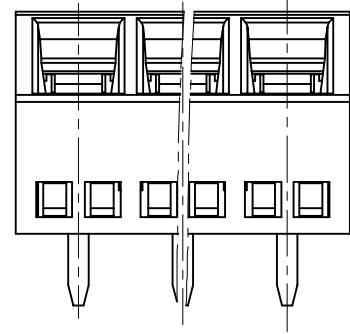
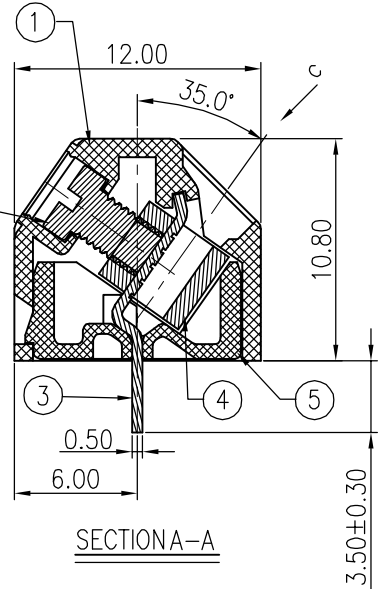
REVISION RECORD				
REV	ECO	DESCRIPTION	DRFT	DATE
△	09-0118	增加VDE刻字及参数	GHY	11-24-09*
△	09-0129	增加UL刻字及参数	lasting	04-13-10*
△	10-0281	避专利结构变更	Jordan.Y	09-01-10*

- Notes:
- Pitch: 5.08mm, Poles: 2-16P
 - Rated voltage/current: UL 300V/12A
VDE 250V/15A
 - Operation temperatures: -40°C ~ +105°C
 - Withstanding Voltage: AC2000V/1Min
 - Insulation Resistance: 5000MΩ / DC1000V
 - Wire Range: 26-14AWG, 1.5mm²
 - Max. Torque Value: M2.5, 4.08kgf.cm
 - Undimensioned Tolerances:

Pitch range in mm		Nominal dimension range in mm					
to	over	to	over	to	over	to	
6	10	6	30	60	100	150	∅
6	10	24	30	100	150	∅	∇
±0.10	±0.15	±0.25	±0.2	±0.3	±0.5	±0.7	±1.0



B



B 向

5	DG127S-5.08-Cover	4141COYXXA (H)	1	PA66	UL94V-0
4	DG127 Cage	X000000170 (H)	XX	Brass	Ni plated
3	DG127S-5.08-Pin	4141B00010 (H)	XX	Phosphor bronze	SnCe plated
2	DG127 "—" Screws	S000001450 (H)	XX	Steel	C [*] Zn

ITEM	NAME OF PART	NO. OF PART	Q'TY	MATERIAL	NOTES
1	DG127S-5.08-座	4141AOYXXA (H)	1	PA66	UL94V-0

DETAILED LIST	MM (INCH)	DFTO Zhwm	DATE 11/05/08
TOLERANCES EXCEPT AS NOTED	CHKD	DATE	
	MFO	DATE	
	APPVL	DATE	
MM	±		
.0 ±	±		
.00 ±	±		
.000 ±	±		
ANGLES ± 1°	G.E :		
	MATERIAL :		
	FINISH :		
	SCALE :		
THIRD ANGLE PROJECTION			

宁波高正电子有限公司 DEGSON ELECTRONICS CO., LTD	
NAME	
DG127S-5.08-XXP-1Y-00A (H)	
DRAWING NO. DG127S-5.08-E01	SIZE
/PART NO.	A3
DO NOT SCALE DRAWING	REV T3 09/01/10*
SHEET 1	OF 1