

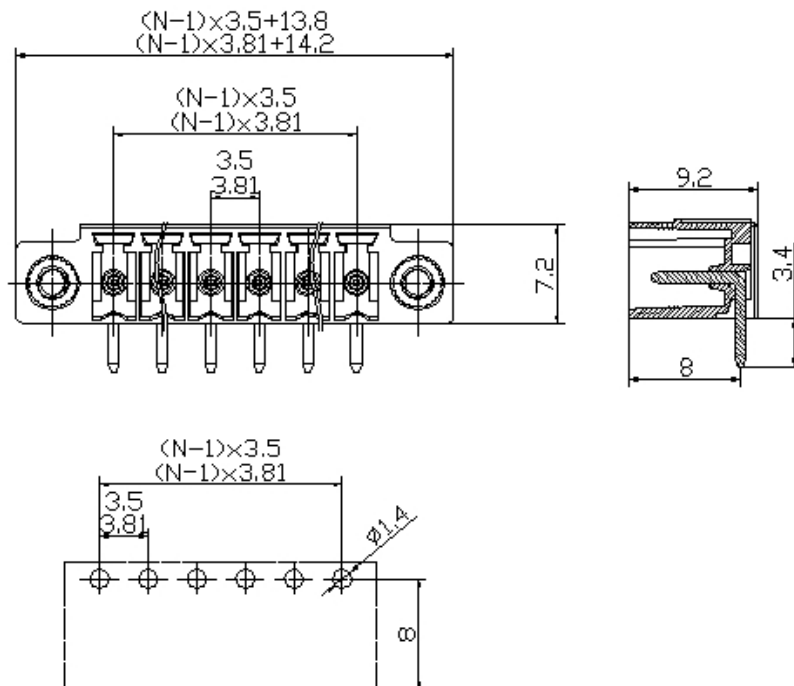


# DEGSON ELECTRONICS CO., LTD.

## Product Specification

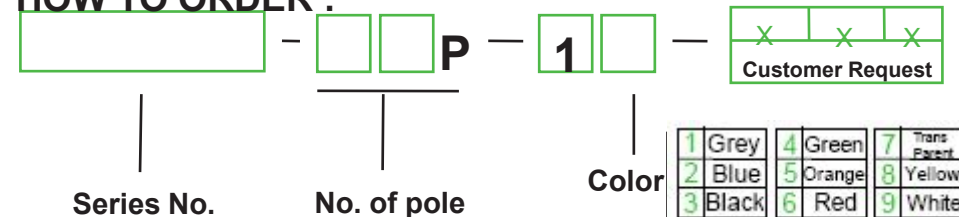


**15EDGRM-THR-3.5**  
**15EDGRM-THR-3.81**



Approval		
Electrical Standard	UL	IEC
Rated voltage Rated current	300V 8A	250V 8A
Rated impulse voltage	2.5KV	
Mechanical		
Ambient temperature	-40°C~+140 °C	
Dimensions		
Pitch	3.5(.138" ) 3.81(.150" )	
Poles	2P-12P	
Material		
Housing	PA4 6,UL94 V-0	
Pin header	Copper, Tin plated	

### HOW TO ORDER :



	<b>DEGSON ELECTRONICS CO., LTD.</b>
	<b>NAME</b> 15EDGRM-THR-3.5,15EDGRM-THR-3.81