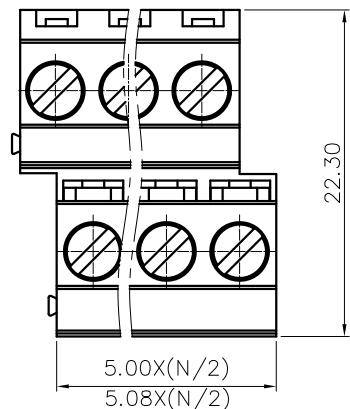
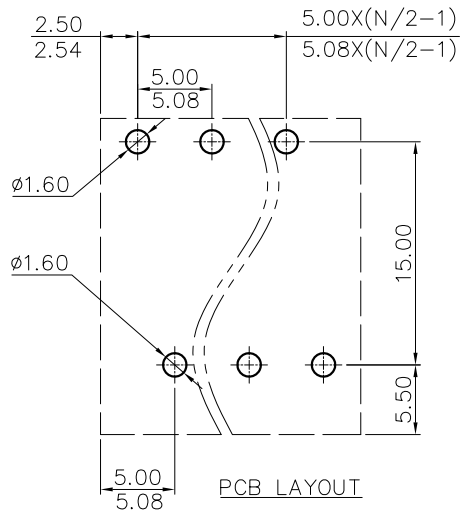
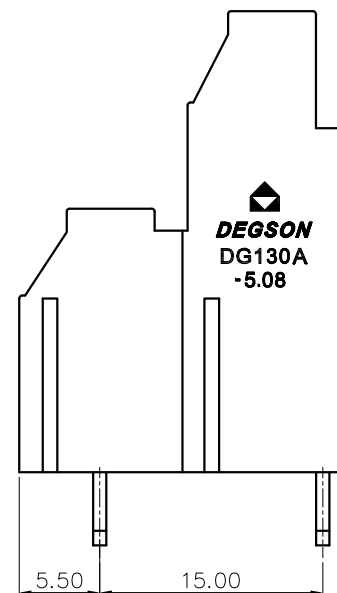
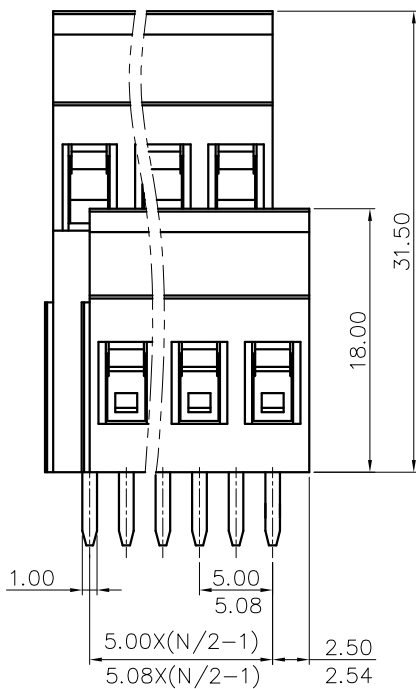
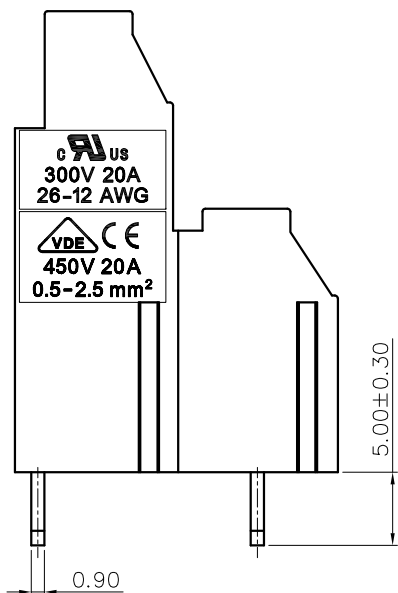


REVISION RECORD				
REV	ECN	DESCRIPTION	DRFT	DATE



DG130A - 5.0/5.08 - XXP - 1Y - 00A (H)
 (Series No.) (Pitch) (Poles) (Single Pitch) (RoHS)
 00A--(Standard)
 (Color): 1.(Grey) 2.(Blue) 3.(Black) 4.(Green) 5.(Orange)
 6.(Red) 7.(Transparent) 8.(Yellow) 9.(White)

- NOTES1:
- UL Standard
 - 1.Rated voltage/current : 300V / 20A
 - 2.Torque value : M3 , 4.43Lb.in
 - 3.Wire range : 26~12AWG
- IEC Standard
- 1.Rated voltage/current : 450V / 20A
 - 2.Torque value : M3 , 0.5N·m
 - 3.Wire range : 0.5~2.5mm²



- NOTES2:
- Dimension shall be interpreted per ASME Y14.5-2009
 - Pitch : 5.0/5.08mm, Poles : N=04~48P
 - Stripping length : 7mm
 - Withstanding voltage : AC2500V/1Min.
 - Operating temperature: -40°C~+105°C
 - Undimensioned tolerances:

Pitch range in mm		Nominal dimension range in mm						0.1/10
TO 6	Over 6 TO 10	Over 10 TO 24	Over 30 TO 60	Over 60 TO 100	Over 100 TO 150	Over 150	0.1/10	
±0.15	±0.20	±0.30	±0.30	±0.50	±0.70	±1.00	±1.30	
							±2'	

7.RoHS Compliance

DETACHED LISTS	PART NO.:	/			
	APPD:	/			
	CHKD:	/			
	DRFT:	/			
	THIRD ANGLE PROJECTION		DO NOT SCALE DRAWING		
NAME: DG130A-5.0/5.08-XXP-1Y-00A(H)		REV	D0		
TITLE: CUSTOMER DRAWING		SHEET	1/1		
DRAWING NO.: /		SCALE	1:1		

宁波高松电子有限公司
 NINGBO DEGSON ELECTRICAL CO., LTD

DG130A-5.0/5.08-XXP-1Y-00A(H)

CUSTOMER DRAWING REV D0

DRAWING NO.: / SHEET 1/1

DO NOT SCALE DRAWING SCALE 1:1