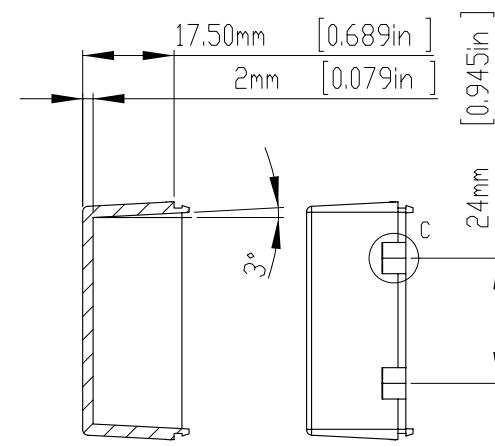
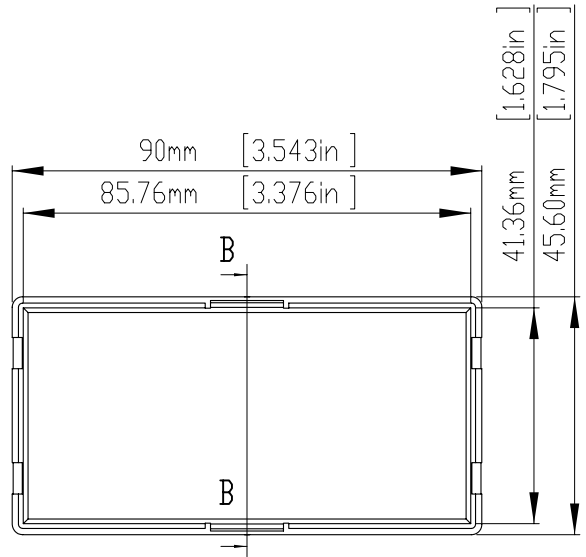
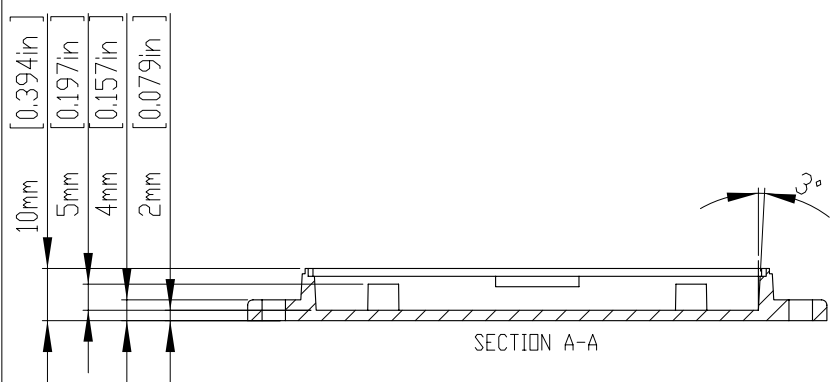


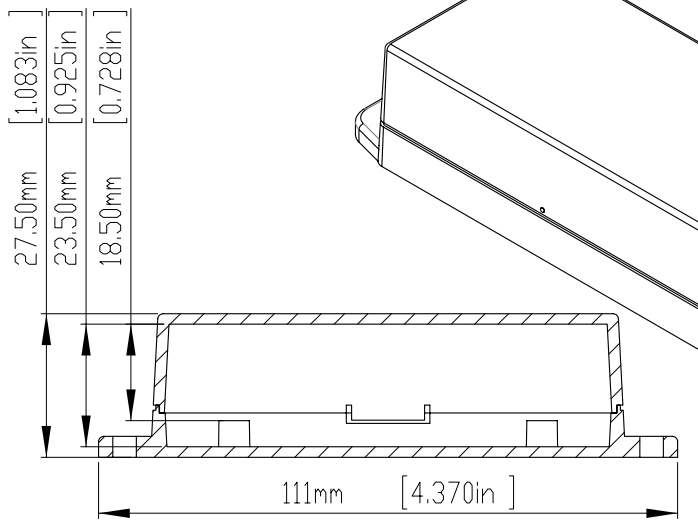
HOLES(4) ARE DESIGNED FOR M2.6X6mm SELF-TAPPING SCREWS USE.
 WALL MOUNTING HOLES(2) X DIA.4.5mm FOR PAN HEAD(M4) TAPPING SCREWS USE.



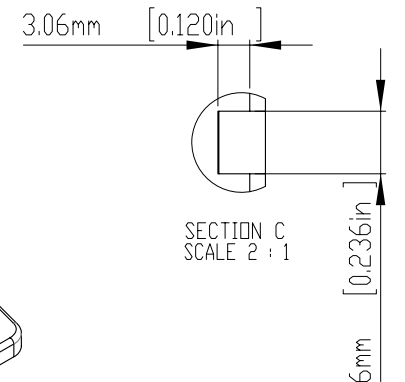
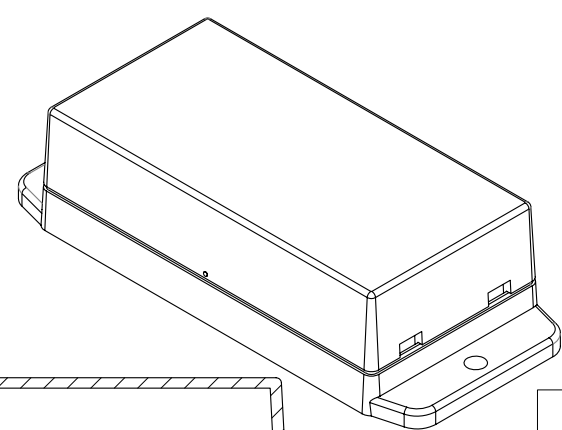
SECTION B-B



SECTION A-A



ASSEMBLY



SECTION C C
SCALE 2 : 1

According to ISO 2768-m	
Measuring DIM=L	Tolerances
0.5<L<=3.0mm	±0.1mm
3.0<L<=6.0 mm	±0.1mm
6.0<L<=30.0 mm	±0.2mm
30.0<L<=120.0 mm	±0.3mm
120.0<L<=400.0 mm	±0.5mm
400.0<L<=1000.0 mm	±0.8mm

ITEM	DESCRIPTION	MATERIAL	COLOR	PANTONE COLOR CORD	CLOSE TO RAL CORD
1	NUB904527BK	ABS<UL94-HB>	BLACK	PANTONE BLACK U	RAL 9005
2	NUB904527WH	ABS<UL94-HB>	WHITE	PANTONE 420C	RAL 9002
3	NUB904527OR	ABS<UL94-HB>	ORANGE	PANTONE 165C	RAL 2004
4	NUB904527RD	ABS<UL94-HB>	RED	PANTONE 186C	RAL 3027