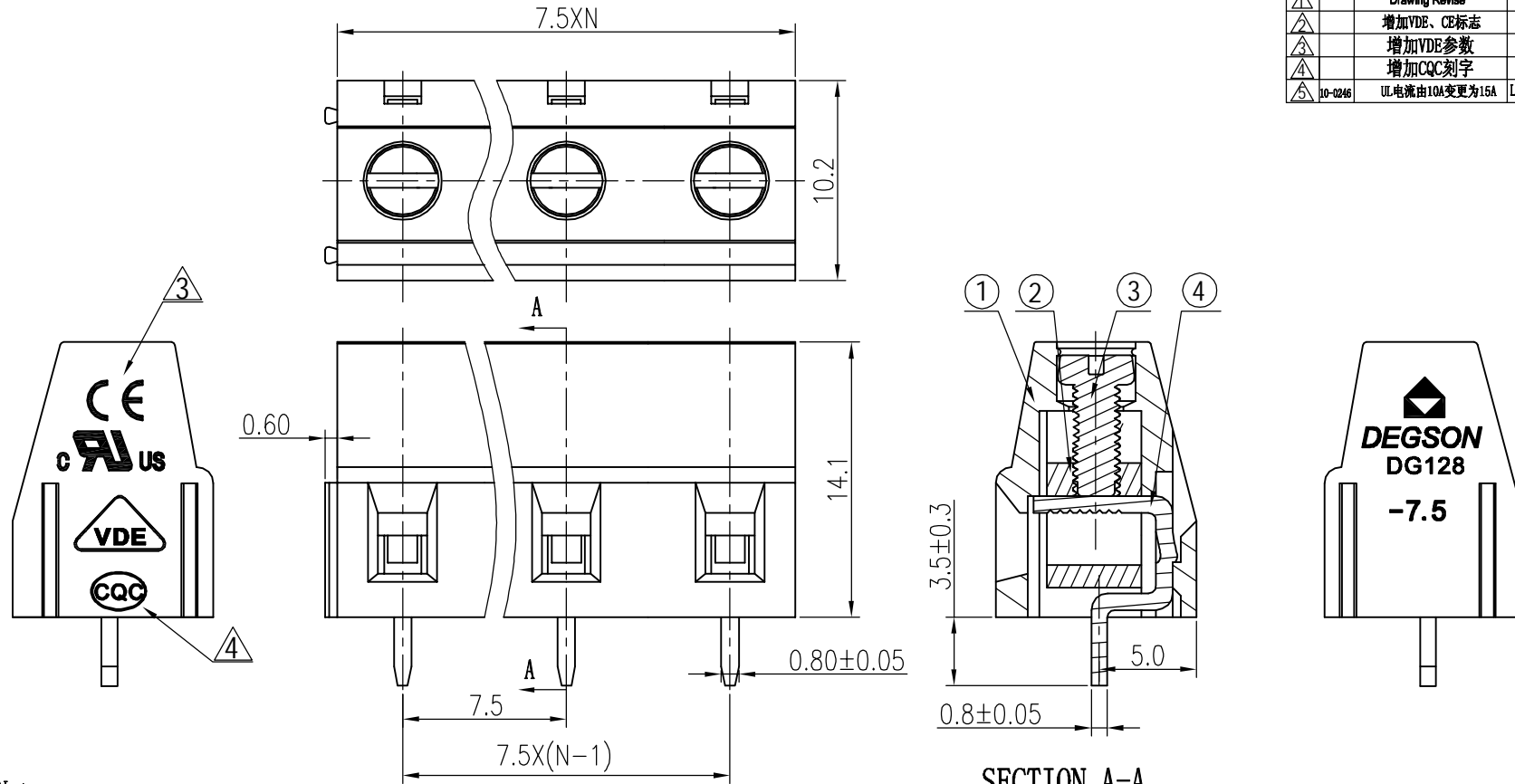


REVISION RECORD				
REV	BCN	DESCRIPTION	DEPT	DATE
△		Drawing Revise	Haoyh	03/23/06
△		增加VDE、CE标志	CSX	12/06/07
△		增加VDE参数	LJH	01/12/08
△		增加CQC刻字	WLM	02/10/09
△	10-0246	UL电流由10A变更为15A	Lasting	08/05/10

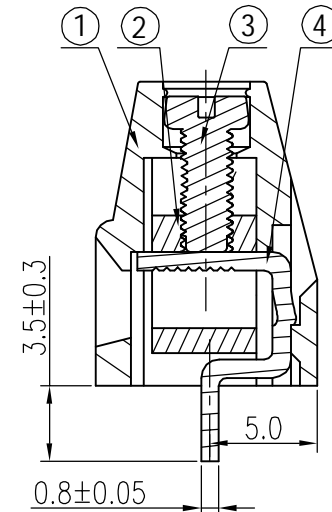


Notes:

- Pitch:7.5mm, Poles: 2-XXP
- Rated voltage/current:UL 300V/15A △  
VDE 450V/18A
- Operation temperatures:-40℃~+105℃
- Withstanding Voltage:AC2000V/1min
- Insulation Resistance:5000MΩ/DC1000V
- Wire Range:24-12AWG, 2.5mm<sup>2</sup>
- Max. Torque Value:M2.5, 4.08kgf.cm
- Undimensioned Tolerances:

Pitch range in mm		Nominal dimension range in mm						
to	over	over	to	over	over	over		
6	6 to 10	10 to 24	30	60 to 100	100 to 150	150		
±0.10	±0.15	±0.25	±0.2	±0.3	±0.5	±0.7	±1.0	
							0.05/10	

4	DG128 pin Header	4027B00010(H)	XX	Brass	SnCe
3	DG128 "—" screw	S000001460(H)	XX	Steel	Cr <sup>3+</sup> Zn
2	DG128 Cage	X000000020(H)	XX	Brass	Ni plated



SECTION A-A

ITEM	NAME OF PART	NO. OF PART	Q'TY	MATERIAL	NOTES
1	DG128-7.5-Housing	4026A0YXXA(H)	1	PA66	UL94V-0

DFTO Haoyh CHD MPO APPVL	DATE 06/27/06 DATE DATE	<b>DEGSON</b> DEGSON ELECTRONICS CO., LTD NAME DG128-7.5-XXP-1Y-00A(H)
MATERIAL : G. E : FINISH : SCALE : 1:1		
DRAWING NO. DG128-7.5-E02 /PART NO.		SIZE A3 REV T5 08/05/10 SHEET 1 OF 1