



Intelligent Infrared CO₂ Gas Sensor

(Model: MH-440D)

Manual

Version: 3.3

Valid from: May 1st, 2014

Zhengzhou Winsen Electronics Technology Co., Ltd.

Statement

This manual copyright belongs to Zhengzhou Winsen Electronics Technology Co., LTD. Without the written permission, any part of this manual shall not be copied, translated, stored in database or retrieval system, also can't spread through electronic, copying, record ways.

Thanks for purchasing our product. In order to keep customers using it better and reduce the faults caused by misuse, please read the manual carefully and operate it correctly in accordance with the instructions. If users disobey the terms or remove, disassemble, change the components inside of the sensor, we shall not be responsible for the loss.

The specific such as color, appearance, sizes etc., please in kind prevail.

We are devoting ourselves to products development and technical innovation, so we reserve the right to improve the products without notice. Please confirm it is the valid version before using this manual. At the same time, users' comments on optimized using way are welcome.

Please keep the manual properly, in order to get help if you have questions during the usage in the future.

Zhengzhou Winsen Electronics Technology CO., LTD.

MH-440D NDIR Infrared CH4 Sensor (V2.4)

1. Introduction

MH-440D infrared gas sensor is a miniature universal intelligent sensor, which adopts NDIR theory to detect concentration of CH4 in air and has good selectivity, stable performance, long life, also is independent of Oxygen. The inside temperature sensor could be used for temperature compensation. This miniature infrared gas sensor is developed by the tight integration of mature infrared absorbing gas detection technology, micro machine workout and superior circuit design.

It is convenient in use and also instead of catalytic component directly, widely used in various occasions with flammable and explosion hazard gas.



2.Features

- High sensitivity, high resolution, low power consumption
- Output method: UART, analog voltage signal
- Temperature compensation, excellent linear output
- Excellent stability, Long lifespan
- Anti-poisons, anti-vapor interference
- Can replace catalytic type gas sensor directly

3.Applications

Widely used for HVAC refrigeration, air monitoring indoor, industrial-process control and safety protection, agriculture and animal husbandry.

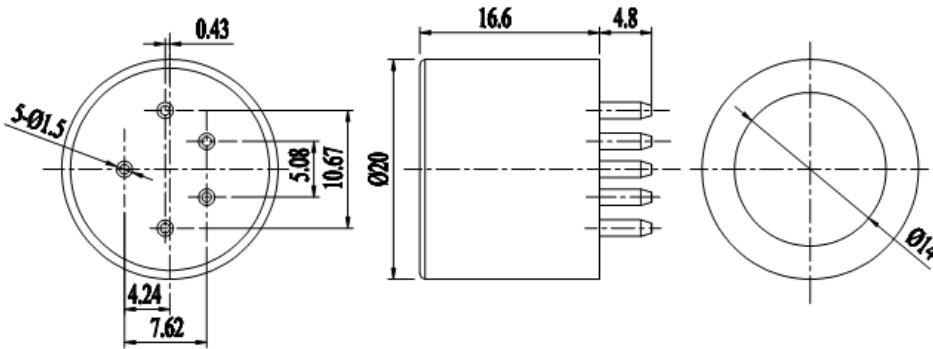
4.Main Parameters

Fig1.Technical Parameters

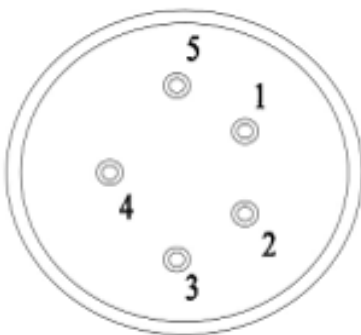
Detection Gas	Methane
Working Voltage	3.6~5V DC
Average Current	<85mA
Interface Level	3V
Detection range	0~100%vol(optional)
Output Signal	UART
	0.4~2V DC
Warm-up time	3 min
Response time	T90<30s
Working Temperature	0°C ~50°C
Working Humidity	0~95%RH(no condensation)
Sizes	Φ 20×21.4mm
Weight	15g
Lifetime	>5 years
Explosion-proof Mark	Exmb II T6
Defense Grade	IP54

Fig2.Measuring Range and Resolution

Target Gas	Molecular Formula	Measuring Range	Resolution	Note
Methane	CH4	0~5%VOL	0.05%VOL	Temperature compensation
		0~100%VOL	0.1%VOL	Temperature compensation

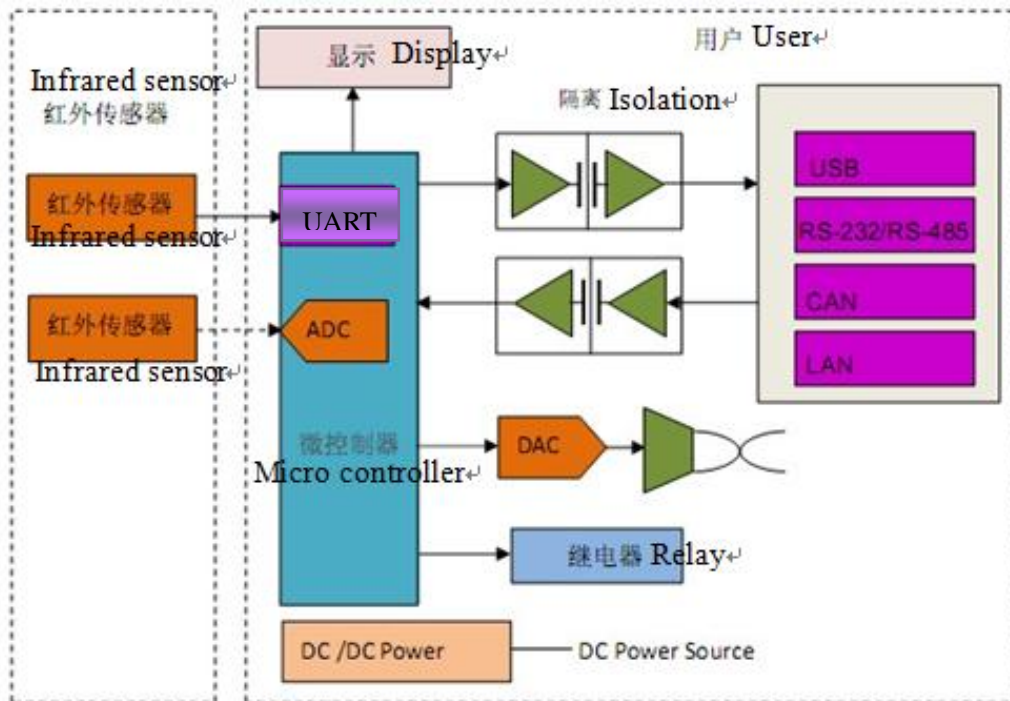


5.2 Pin definition



- 1-GND
- 2-Vin (power supply 3.6-5V)
- 3-UART (RXD) 0~3.0V data input
- 4-Vout (0.4~2V)
- 5- UART (TXD) 0~3.0V data output Vout

6.Application circuit

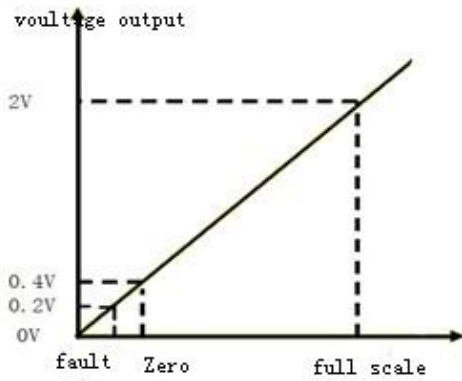


6.1 Analog Output

The output of Vout is proportional to the gas concentration, 0.4-2.0V output stands for 0 to full range.

Connection: Vin -5V, GND- Power Ground, Vout-ADC input.

After warm-up, If self-checking detect a fault, output voltage is 0V.



6.2 Digital Output

Connections: Vin-5V power, GND- Power Ground, RXD - TXD of detector, TXD - RXD of detector.

Users can read gas concentration via UART interface of sensor.

6.2.1 UART Communication Protocol

Baud rate: 9600; 8-bit data, 1 stop bit, no calibrating bit

Each command includes 9 byte,

beginning with 0xff,

command includes sensor no.(default is 0x01),

ending with checksum,

Command list

0x86	Reading gas concentration value
0x87	Calibrate sensor zero point (ZERO)
0x88	Calibrate span point(SPAN)

1). Concentration and temperature got from gas sensor

Reading gas concentration value:

Send command								
Byte0	1	2	3	4	5	6	7	8
Start bit	Sensor no.	Command	-	-	-	-	-	checksum
0xFF	0x01	0x86	0x00	0x00	0x00	0x00	0x00	0x79

Returning

Sensor return (eg.)								
Byte0	1	2	3	4	5	6	7	8
Start bit	command	Concentration high-order	Concentration low-order	-	-	-	-	checksum
0xFF	0x86	0x02	0x60	0x47	0x00	0x00	0x00	0xD1

Calibrate zero

Send command								
Byte0	Byte1	Byte2	Byte3	Byte4	Byte5	Byte6	Byte7	Byte8
Start bit	Sensor no.	Command	-	-	-	-	-	checksum
0xFF	0x01	0x87	0x00	0x00	0x00	0x00	0x00	0x78

No returning

Calibrate span

Send command								
Byte0	Byte1	Byte2	Byte3	Byte4	Byte5	Byte6	Byte7	Byte8
Start bit	Sensor no.	Command	Span high-order	Span low-order	-	-	-	checksum
0xFF	0x01	0x88	0x07	0xD0	0x00	0x00	0x00	0xA0

No returning

checksum = (negation (byte1+byte2+.....+byte7))+1

Eg.read gas concentration

Send command								
Byte0	1	2	3	4	5	6	7	8
Start bit	Sensor no.	Command	-	-	-	-	-	checksum
0xFF	0x01	0x86	0x00	0x00	0x00	0x00	0x00	0x79

1. except byte0,to add all of other bytes
 $0x1 + 0x86 + 0 + 0 + 0 + 0 + 0 = 0x87$
2. negate to above value
 $0xff - 0x87 = 0x78$
3. add 1 to above value
 $0x78 + 0x01 = 0x79$

Eg.

```
char getChecksum(char *packet)
{
    char i, checksum;
    for( i = 1; i < 8; i++)
    {
        checksum += packet[i];
    }
    checksum = 0xff - checksum;
    checksum += 1;
    return checksum;
}
```

7. Cautions for Maintenance

- 7.1 The sensor should be calibrated regularly. The suggested cycle time is 6 months.
- 7.2 Do not use the sensor in the high dusty environment for long time.
- 7.3 Please use the sensor with correct power supply.
- 7.4 Forbid to weld the sensor pins directly.
- 7.4 Forbid to cut the sensor pins.

<p>Zhengzhou Winsen Electronics Technology Co., Ltd Add: No.299, Jinsuo Road, National Hi-Tech Zone, Zhengzhou 450001 China Tel: +86-371-67169097/67169670 Fax: +86-371-60932988 E-mail: sales@winsensor.com Website: www.winsen-sensor.com</p>
