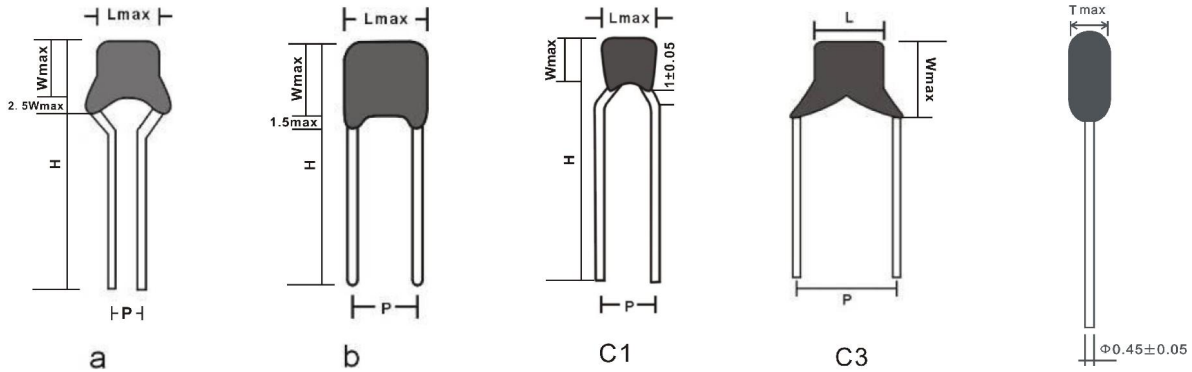


Kingtronics®

MKT

Radial Multilayer Ceramic Capacitors

	NPO	X7R	Y5V
Operating Temperature	-55°C ~ +125°C	-55°C ~ +125°C	-25°C ~ +85°C



Size Code	Shape	Dimensions (mm)					voltage	Capacitance (pF)		
		F (±0.5)	H (±1)	Lmax	Wmax	Tmax		NPO	X7R	Y5V
0805	a	2.54	5.0							
	b	2.54	10.0				25V	0R5~332	331~104	
	C1	5.08	5.0/10.0	4.2	3.8	3.8	50V	0R5~222	331~104	103~105
	C2	5.08	5.0				100V	0R5~102	331~104	103~684
	C3	5.08	5.0/10.0	4.2	5.0	3.8				
1206	a	2.54					25V	0R5~682	102~224	
	b	3.50	10.0	5.0	4.5	3.8	50V	0R5~472	102~104	103~125
	C1	5.08					100V	0R5~392	102~105	103~105
1210	b	3.50	10.0				25V	0R5~103	102~334	
	C1	5.08	10.0	7.6	5.5	3.8	50V	0R5~472	102~224	104~155
		100V						0R5~392	102~105	
1812	b	4.57	10.0	8.5	8.5	3.8	25V	561~103	103~474	
		50V						561~682	103~334	154~335
		100V						561~472	103~105	
2225	b	5.50	10.0	10.5	9.5	4.2	25V	102~223	103~105	
		50V						102~223	103~105	684~475
		100V						102~103	103~474	
3035	b	7.50	10.0	12.5	10.5	4.2	25V	102~104	103~225	105~106
		50V						102~473	103~205	105~685
		100V						102~333	103~105	

*Lead spacing determined by customer requirements.

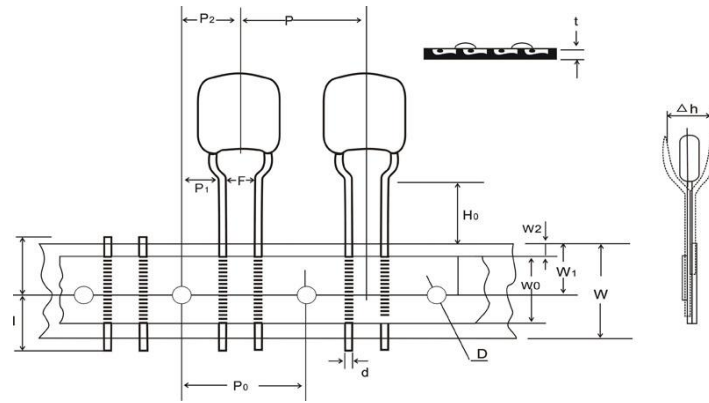
Kingtronics® International Company

Kingtronics®

MKT

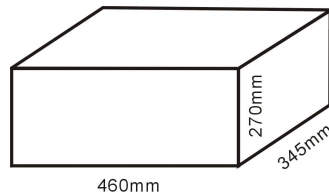
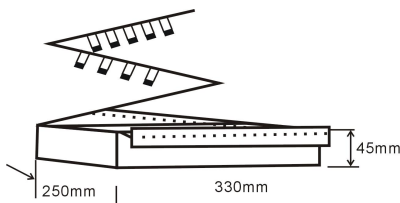
Radial Multilayer Ceramic Capacitors

Radial Leads MLCC Packaging Style



DESCRIPTION	SYMBOL	DIMENSIONS(mm)	REMARKS
PITCH OF COMPONENT	P	12.7±1.0	
FEEDHOLD PITCH	P ₀	12.7±0.3	CUMULATIVE PITCH ERROR: ±1.0mm/20 PITCHES
FEED HOLD CENTER TO LEAD	P ₁	3.85±0.7	FOR F:5.08, 5.1±0.7 FOR F:2.54
FEED HOLD CENTER TO COMPONENT CENTER	P ₂	8.35±1.3	
LEAD TO LEAD SPACING	F	5.08+0.8/-0.2 OR 2.5+0.8/-0.2	TO LEAD TIP WITHIN TOL
COMPONENT ALIGNMENT, F-R	ΔH	2.0max	THE ALIGNMENT FROM THE CENTER OF THE LEAD IS ±1.0mm
TAPE WIDTH	W	18.0±1	
ADHESIVE TAPE WIDTH	W ₀	12.0±1	
HOLE POSITION	W ₁	9.0±0.5	
ADHESIVE TAPE POSITION	W ₂	3.0max	ADHESIVE TAPE MUST NOT PROTRUDE FROM BADE PAPER
LEAD-WIRE CLINCH HEIGHT	H ₀	15-20±0.5	6.5 ≤ H ₀ - W ₁
COMPONENT HEIGHT	H ₁	32.25max	
FEED HOLE DIAMETER	D ₀	4.0±0.3	
TOTAL TAPE THICKNESS	T	0.7±0.2	

Ammo Packaging



Kingtronics® International Company

Kingtronics®

MKT

Radial Multilayer Ceramic Capacitors

How To Order Of Radial Leads MLCC :

MKT	---	0805	Y	104	M	500	PF3	R
↓		↓	↓	↓	↓	↓	↓	↓
A		B	C	D	E	F	G	H

A:
Product Type

D:
Capacitance
First two digits are significant third digit is number of zeros.
For Example:
104=100000pF
5R6=5.6pF

F:
Rated Voltage
The code meaning is same as capacitance.
For Example:
250=25V
500=50V
101=100V

B:
Unit : Inches
Cmos Chip Size (LxW)

Code	Chip
0805	0.08x0.05
1206	0.12x0.06
1210	0.12x0.10
1812	0.18x0.12
2225	0.22x0.25
3035	0.30x0.35

E:
Tolerance

B	±0.10pF
C	±0.25pF
D	±0.5pF
F	±1.0%
G	±2.0%
J	±5.0%
K	±10%
M	±20%
N	±30%
S	+50% -20%
Z	+80% -20%
P	+100% -0%

C:
Dielectric

N	NPO
B	X7R
Y	Y5V
C	COG

B.C.D for
C<10pF
NPO:
B.C.D.F.G.J.K.M.
X7R: K.M.S.Z.
Y5V: M.S.Z.P.

G:
Packaging Style

Ammo	PF1	2.54mm
	PF3	5.08mm
Bulk	F1	2.54mm
	F2	4.57mm
	F3	5.08mm
	F4	7.50mm
	F5	3.50mm

H:
Pb

R	RoHS
----------	------

Note: Specifications are subject to change without notice.

Kingtronics® International Company

Website: www.kingtronics.com Email: info@kingtronics.com Tel: (852) 8106 7033 Fax: (852) 8106 7099