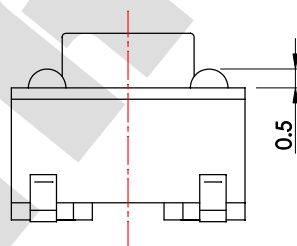
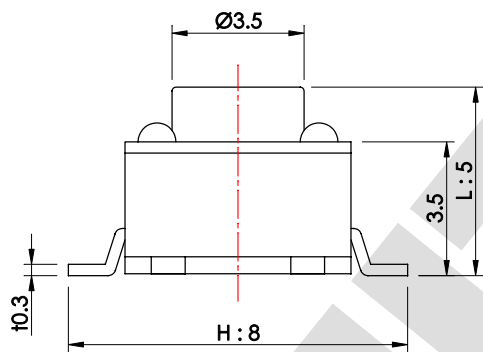
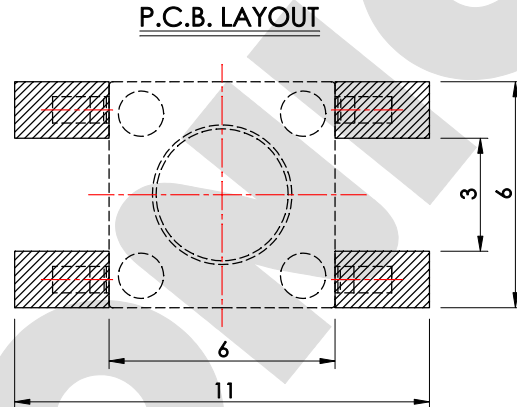
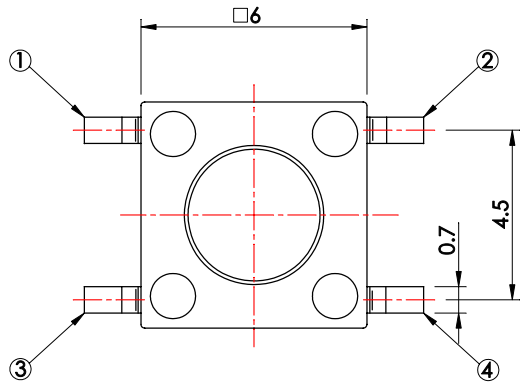
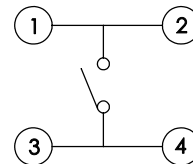


*開關產品未經SWITRONIC同意，請勿拆解，否則無法負品質及安全責任。
Please do not decompose the switch without any permission from SWITRONIC, otherwise the quality and safety responsibility could not be guaranteed.

*本圖面若與目錄之規格尺寸不符，以本圖面規格尺寸為主。
Below is our main specification if different from catalog.



SCHEMATIC



TERMINAL LENGTH (H)
8 or 9

OPERATING FORCE
100, 130, 160, 250

RoHS compliant

IT-1102WXXX-XXXG-G

MODEL NO.	L (mm)
□	4.3
A	5

STEM COLOR	
□	Black
W	White
R	Red



SPECIFICATION

Rating: 50mA 12V DC.
Circuit: SPST.
Function: OFF-(ON).
Travel: 0.25±0.1 mm.
Contact resistance: 100mΩ Max.
Operating force: 160±50g.
Minimum load: 10mA 3.3V DC.(reference only)
Life: 100,000 Cycles.
Soldering temperature: 250°C Max. for 3 sec.
Soldering time: 1 time only.
Note1: Unwashable, don't be immersed by epoxy and organic solvent.
Note2: Please check the actual size, do not scale the drawing page.

EV2.1	△		
EV2.0	無	新繪製	2015.07.03
版本 VER.	符號 SYMBOL	修改內容 ALTERATION	更新日期 DATE

產品 PRODUCT		Tact Switch		型號 MODEL NO.		IT-1102WA8-160G-G	
比例 SCALE	5 : 1	單位 UNIT	mm				
公差 TOLERANCE	±0.3mm						
製圖 DRAWN BY	核圖 CHECKED BY	主管 APPROVED BY					
Allen Liao	Chuck Young	Margaret Lee					

SWITRONIC
INDUSTRIAL CORP.
Switches



一綺電子企業股份有限公司
總公司：110 台北市信義路四段415號13樓之3
13F-3 NO. 415, SEC. 4, HSIN YI ROAD, TAIPEI, TAIWAN
TEL : 886-2-27290229(Rep.) FAX : 886-2-27582086
URL : http://www.switronic.com.tw
E-MAIL : switches@ms36.hinet.net