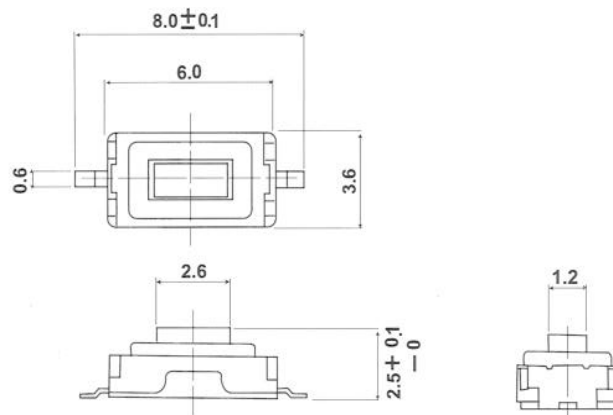
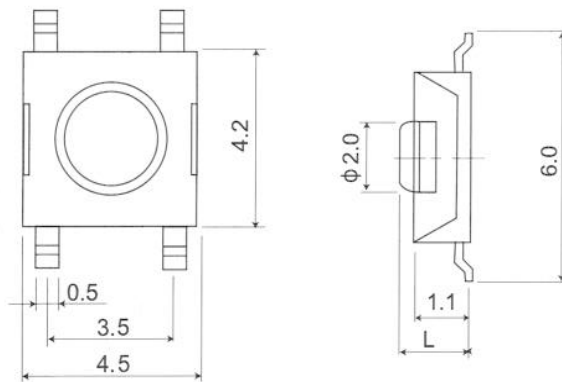


## High-Density SMD



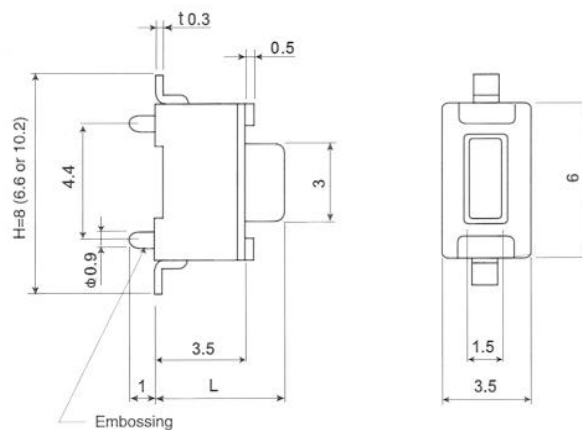
1. Rating : DC12V 50mA
2. Travel :  $0.25 \pm 0.1$ mm
3. Operating Force :  $160 \pm 30$ g  
 $250 \pm 50$ g
4. Contact Resistance :  $100\text{m} \Omega$  Max.
5. Life : 100,000 Cycles Min.



1. Rating : DC12V 50mA
2. Travel :  $0.25 \pm 0.1$ mm
3. Operating Force :  $160 \pm 30$ g  
 $250 \pm 50$ g
4. Contact Resistance :  $100\text{m} \Omega$  Max.
5. Life : 100,000 Cycles Min.

Model No.	Knob(L)
IT-1127	1.5
IT-1127A	4.3

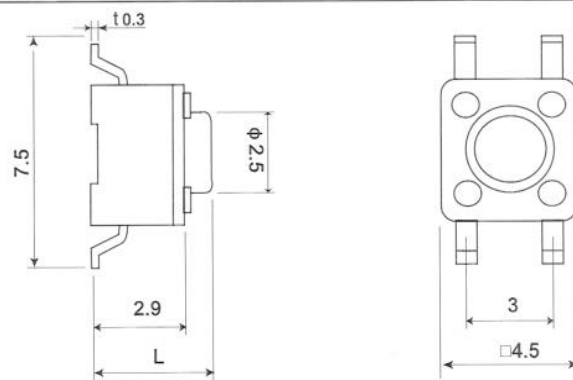
\* Stem: Metal, Plastic.  
IT-1127E, EA : W/ Embossing  
IT-1127NE, NEA : W/O Embossing



1. Rating : DC12V 50mA
2. Travel :  $0.25 \pm 0.1$ mm
3. Operating Force :  $160 \pm 30$ g  
 $250 \pm 50$ g
4. Contact Resistance :  $100\text{m} \Omega$  Max.
5. Life : 50,000 Cycles Min.

Model No.	Knob(L)
IT-1101NE	4.3
IT-1101NEA	5.0

\* IT-1101E, EA : W/ Embossing  
IT-1101NH : W/O Embossing, H=6.6  
IT-1101S : W/ Embossing, H=10.2  
IT-1101NS, NSA : W/O Embossing



1. Rating : DC12V 50mA
2. Travel :  $0.25 \pm 0.1$ mm
3. Operating Force :  $100, 130, 160 \pm 30$ g  
 $250 \pm 50$ g
4. Contact Resistance :  $100\text{m} \Omega$  Max.
5. Life : 50,000 Cycles Min.

Model No.	Knob(L)
IT-1109S	3.8
IT-1109SA	7.0