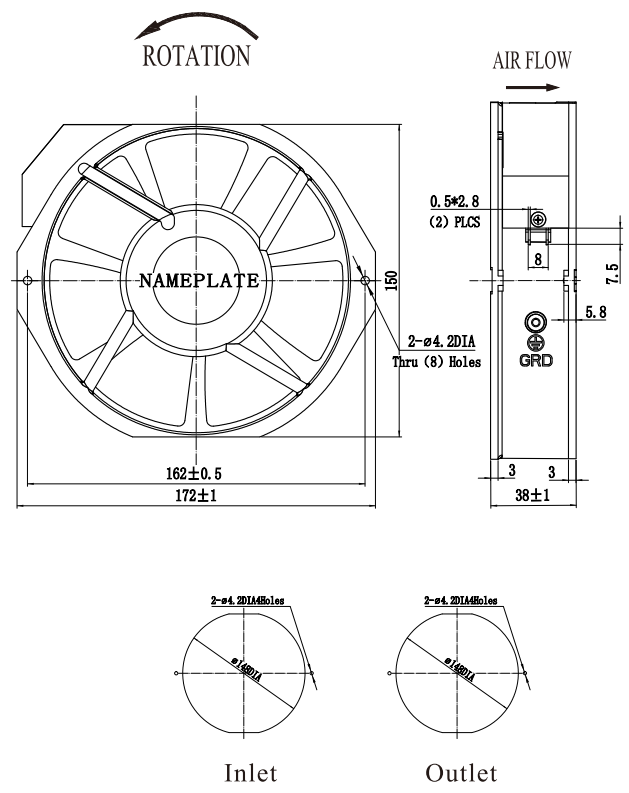


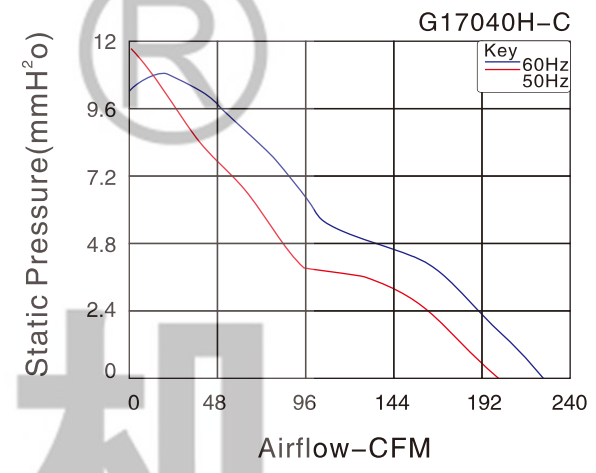
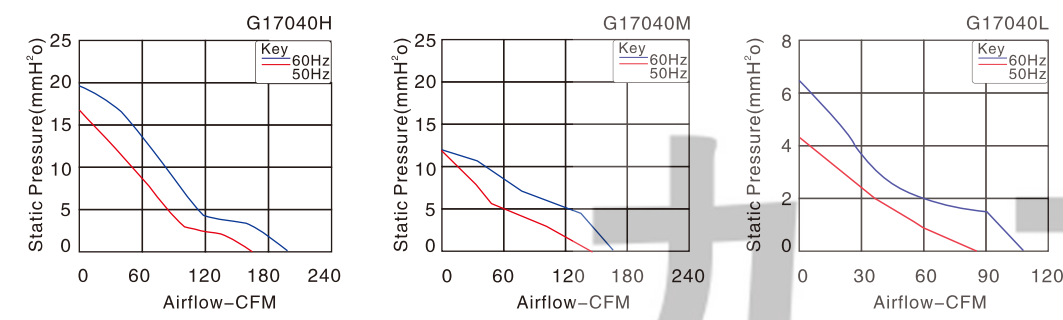
尺寸 Size: 172mm x 150mm x 38mm
风量 Airflow: 85-230CFM
重量 Weight: 750g
噪音 Noise: 38-58dB(A)
风叶 Impeller Material: PBT UL94-V0 Reinforced Plastic
外框 Frame: Aluminum Alloy
端子 Terminals: 0.5mm
引线 Lead Wire: AWG#22 UL 1569(Optional)
马达 Motor: Capacitor-Run Induction Motor
温度范围 Operating Temperature: $-10^{\circ}\text{C} \sim +65^{\circ}\text{C}$



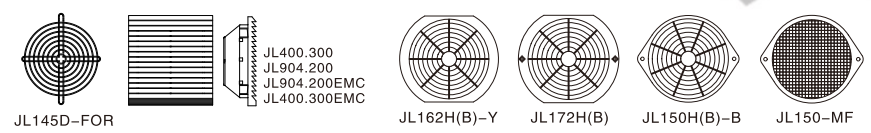
尺寸 Size: 172mm x 150mm x 39mm
风量 Airflow: 216-240CFM
重量 Weight: 680g
噪音 Noise: 56-60dB(A)
风叶 Impeller Material: PBT UL94-V0 Reinforced Plastic
外框 Frame: Aluminum Alloy
端子 Terminals: 0.5mm
引线 Lead Wire: AWG#22 UL 1569(Optional)
马达 Motor: Capacitor-Run Induction Motor
温度范围 Operating Temperature: $-10^{\circ}\text{C} \sim +65^{\circ}\text{C}$

产品型号 Model	轴承型式 Bearing System	电压 Voltage VAC	频率 Freq. Hz	电流 Current A	功率 Power W	转速 Speed RPM	噪音 Noise dB(A)	风量 Air Flow CFM	相数 Phase	电容 Capacitor $\mu\text{F/VAC}$
G17040HA,B-C	Ball	100/125	50/60	0.35/0.33	34/33	2850/3300	54/58	185/211	1	3.3/250
G17040HA ₂ B-C		200/240	50/60	0.13/0.13	27/28	2850/3300	54/58	195/230	1	0.75/500
G17040HA ₃ B-C		380/420	50/60	0.08/0.09	31/36	2850/3300	54/58	195/230	3	0.75/500
G17040MA,B-C	Ball	100/125	50/60	0.17/0.18	28/29	2500/2800	52/57	146/165	1	1/500
G17040MA ₂ B-C		200/240	50/60	0.11/0.12	28/29	2500/2800	52/57	146/165	1	0.47/630
G17040MA ₃ B-C		380/420	50/60	0.17/0.18	28/27	2500/2800	52/57	146/165	1	0.47/500
G17040LA,B-C	Ball	100/125	50/60	0.17/0.15	29/28	1400/1700	38/44	85/103	1	0.47/630
G17040LA ₃ B-C		200/240	50/60	0.08/0.07	27/26	1400/1700	38/44	85/103	1	/

产品型号 Model	轴承型式 Bearing System	电压 Voltage VAC	频率 Freq. Hz	电流 Current A	功率 Power W	转速 Speed RPM	噪音 Noise dB(A)	风量 Air Flow CFM	相数 Phase	电容 Capacitor $\mu\text{F/VAC}$
G17040HA,B-C-7P	Ball	100/125	50/60	0.28/0.3	28/33	2750/3000	56/60	216/240	1	3.3/250
G17040HA ₂ B-C-7P		200/240	50/60	0.18/0.18	38/38	2750/3000	56/60	216/240	1	1/500
G17040HA ₃ B-7P	Ball	380/420	50/60	0.1/0.1	33/33	2600/3000	56/60	216/240	3	/
G17040HA ₃ B-C-7P		380/420	50/60	0.08/0.09	27/33	2600/3000	56/60	216/240	1	3.3/250



Fan Accessories



Fan Accessories

