



NINGBO LONGTAI ELECTRIC MANUFACTURE CO., LTD

No.75, DANXIA ROAD, INDUSTRIAL ZONE, XIANGSHAN, NINGBO, CHINA

SPECIFICATION

CUSTOMER :
MODEL NO. : G17050HA2BL-7P
DESCRIPTION : Axial Fan
DATE : August 25, 2020

FINISHED BY	CHECKED BY	CUSTOMER APPROVE





A. SPECIFICATION

NO.	ITEM	SPECIFICATION	UNIT	CONDITION
01	Model No	G17050HA2BL-7P	-----	-----
02	Dimension	172*150*51	mm	-----
03	Bearing	Ball	-----	-----
04	Rated Voltage	200-240	VAC	-----
05	Frequency	50/60	Hz	-----
06	Rated Current	0.22/0.21	Amp	At Rated Voltage
07	Rated Power	34/33	Watt	At Rated Voltage
08	Rated Speed	2600/3000	RPM	At Rated Voltage
09	Noise Level	46/52	dB-A	At Rated Speed
10	Air Flow	200/245	CFM	At Free Air
11	Life Expectancy	50000	Hours	At Room Temp
12	Motor Type	Shaded pole	-----	-----
13	Motor Protection	Impedance Protection	-----	-----
14	Insulation Class	Class B	-----	-----
15	Operating Temperature	-10~+70	°C	Blow air condition
16	Direction of Rotation	Clockwise	-----	Look at the fan label
17	Net Weight	850	Gram	Per Each Piece
18	Approval	CE CCC	-----	-----

B. MATERIAL

NO.	ITEM	DESCRIPTION
01	Lead wire type	22AWG UL1569 (Optional)
02	Wire Length	Optional
03	Terminal Type	-----
04	Frame	Aluminum Alloy
05	Impeller	PBT thermoplastic, lack, UL94-V0, 7 Blades

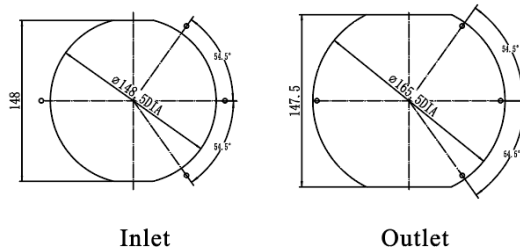
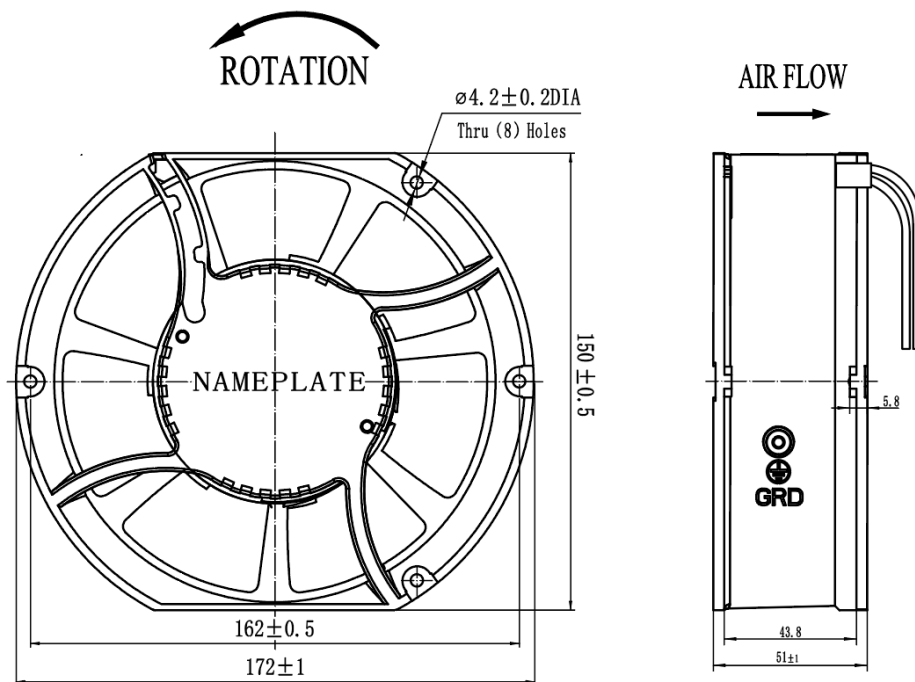
C. ELECTRICAL PERFORMANCE

01	Insulation Resistance	500 MΩ minimum at 500VDC
02	Dielectric Strength	1800VAC for one second
03	Noise Level	Measured in a semi-anechoic chamber with background noise level below 15Dba. The fan is running in free air with the microphone at one meter from the fan intake.

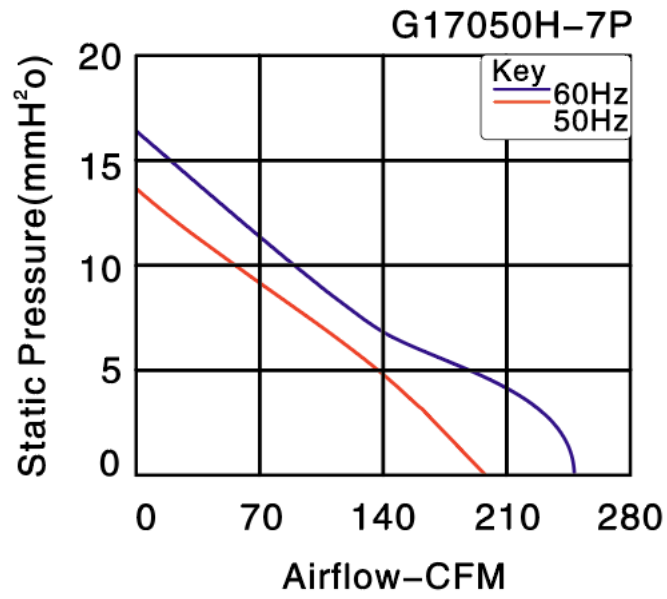
D. ENVIRONMENTAL ILLUSTRATION

01	Operating Temperature	-10°C ~ +70°C at humidity 65%+/-20% RH. Blow air condition
02	Storage Temperature	All function shall be normal storage at -10°C ~+65°C with a 24 hours recovery period at room temperature.
03	Humidity	After 96 hours, 95% RH, 40+/-2°C PER MIL-STD-202F, method 103B humidity test, the measured data on insulation resistance and dielectric strength shall meet the specification.

E. DIMENSIONS (UNITS: mm)



F. P.Q. CHARTS



* Special data may be provided if necessary according to the inquiry. Longtai all technical modification rights reserved.