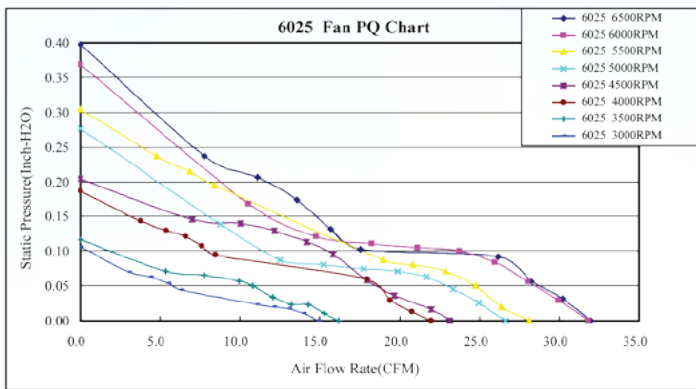


EVERCOOL

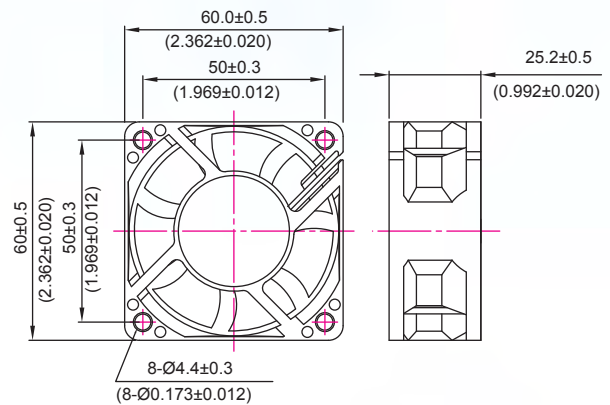
6025 series 60x60x25 mm



P&Q Curve



Dimensions Drawing



UNIT:MM/(INCH)

Specifications

Model	Rated Voltage (VDC)	Rated Current (AMP)	Power Consumption (WATTS)	Speed Reference (RPM)	Air Flow (CFM)	Static Pressure (Inch-H ₂ O)	Noise (dBA)
EC6025TH12X	12	0.44	5.28	6500	31.97	0.4	<41
EC6025HH12X	12	0.38	4.56	6000	31.81	0.37	<39
EC6025MH12X	12	0.32	3.84	5500	28.16	0.31	<38.1
EC6025H12X	12	0.24	2.88	5000	26.63	0.28	<36
EC6025M12X	12	0.2	2.4	4500	23.17	0.21	<32
EC6025L12X	12	0.16	1.92	4000	22.01	0.19	<28
EC6025LL12X	12	0.12	1.44	3500	16.19	0.12	<24
EC6025SL12X	12	0.08	0.96	3000	14.88	0.11	<20.7
EC6025TH24X	24	0.24	5.76	6500	31.97	0.4	<41
EC6025HH24X	24	0.2	4.8	6000	31.81	0.37	<39
EC6025MH24X	24	0.16	3.84	5500	28.16	0.31	<38.1
EC6025H24X	24	0.14	3.36	5000	26.63	0.28	<36
EC6025M24X	24	0.12	2.88	4500	23.17	0.21	<32
EC6025L24X	24	0.1	2.4	4000	22.01	0.19	<28
EC6025LL24X	24	0.08	1.92	3500	16.19	0.12	<24

6025 series

- ▶ Material: impeller & Frame: Plastic (UL 94V-0)
- ▶ Lead Wires: UL 1007 AWG #26 Or Equivalent
Red Wire Positive(+), Black Wire Negative(-), Yellow Wire Or Blue Wire Signal(FG)
- ▶ Function type is optional.

- ▶ The max air flow and the speed are measured in free air; max air pressure is measured at zero air flow.
- ▶ Noise is measured in anechoic chamber in free air, one meter from intake side.
- ▶ All readings are typical values at rated voltage.
- ▶ Specifications are subject to change without notice.
- ▶ Additional special function may be added according the requirement of customer.