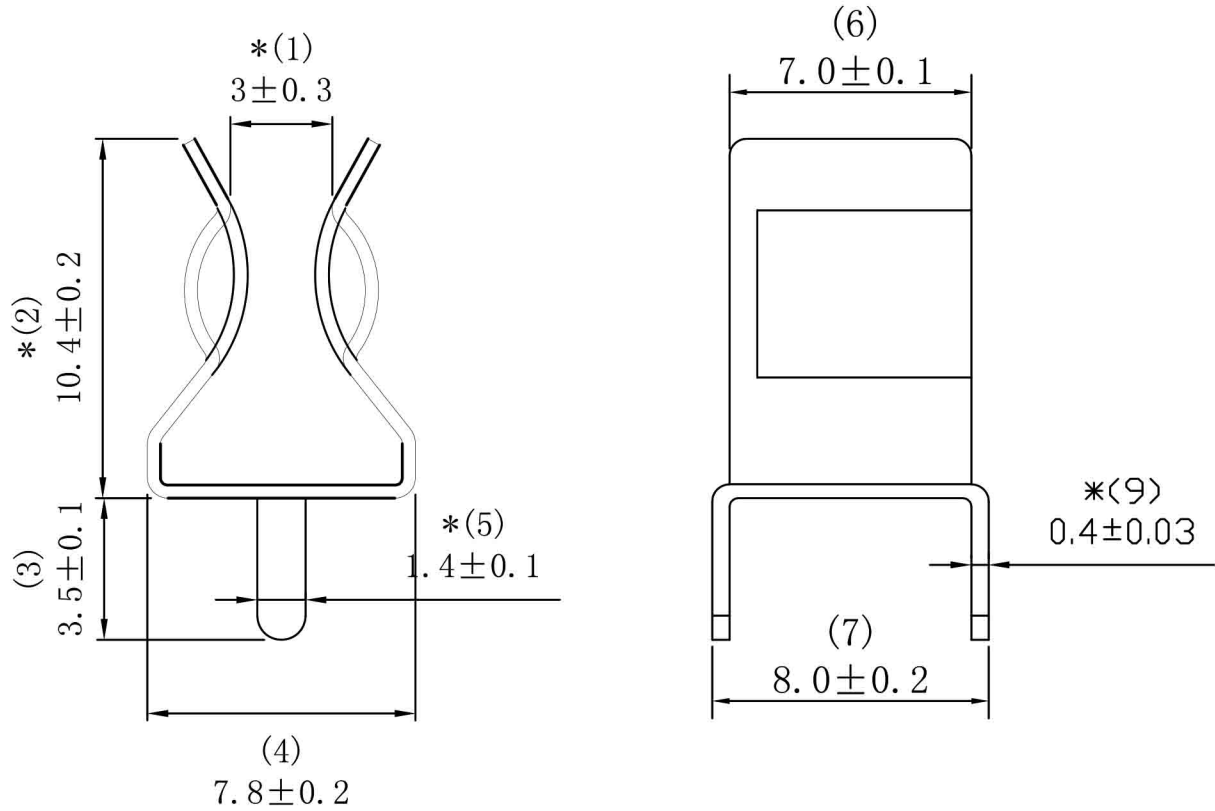


RoHS  
Compliant  
Drawing For  
Reference Only



Technical requirement :  
 1. This product should meet EU RoHS related requirement.  
 2. The surface of plastic part should be without any crackle such as burr,lack,and so on phenomenon.  
 3. The surface of metal part should be without any defect such as scour,nick,oxidation and plating problem.  
 4. The electronic performance should be the same as spec.

备注:  
 材料: 黄铜H62, 硬料。  
 表面处理: 镀镍。  
 厚度; T=0.4mm。  
 产品周边无\毛刺\打点\刮痕\变形现象。  
 “\*”为重点控项。  
 焊锡温度: 260±5℃

未注公差要求			
基本公差		角度公差	
XX	±0.1	XX	±1°
XX.X	±0.05	XX.X	±0.2°
XX.XX	±0.01	XX.XX	±0.05°

**DCI DRAGON CITY INDUSTRIES LIMITED**

Item Name	FUSE CLIP	Tolerance :	Design	K.W Law	Remark	Scale
Item No.	FC-002-N(FB)	Unit : mm	Drawing	W.K Yeung	Remark	Material
			Check	K.L Wong	Remark	Drawing No. A708291430
			Approval	K.W Chan	Remark	Sheet