

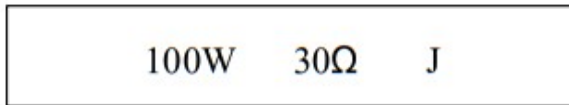


Product Name	Cement Type Resistors				
Version	A1	Enactment Date	13-07-2012	Page	1

1、 Indication

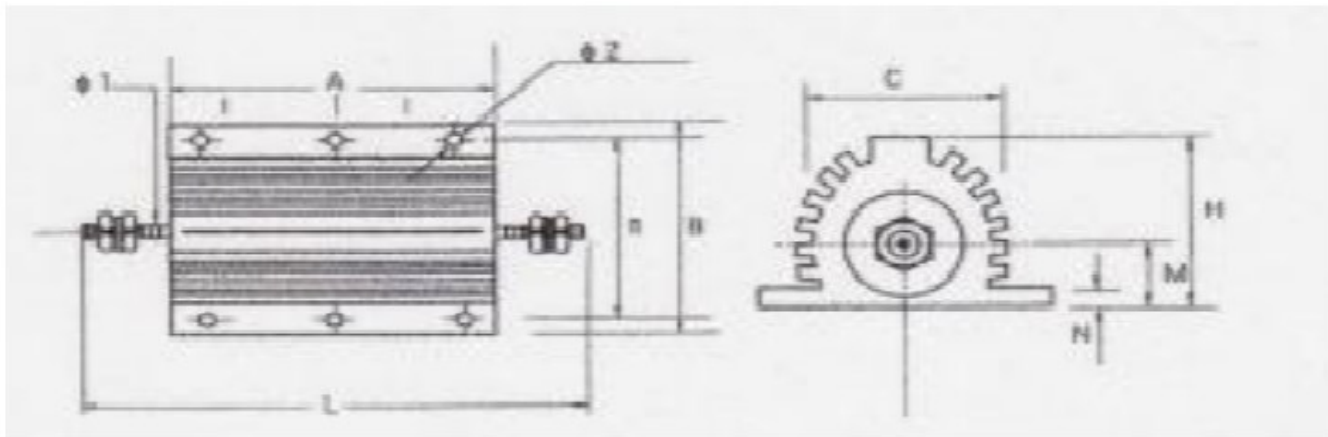
- (1) Rated Power 100W
- (2) Resistance 30R
- (3) Tolerance  $\pm 5\%$

Sample:



2、 External dimensions

2.1 AH-100type



3: Graphic size

4: Resistance Technical Parameters

Power Rating	A	B	L	H	I	C	M	N
100W	67	48	86	25	23	27	11.5	3.5