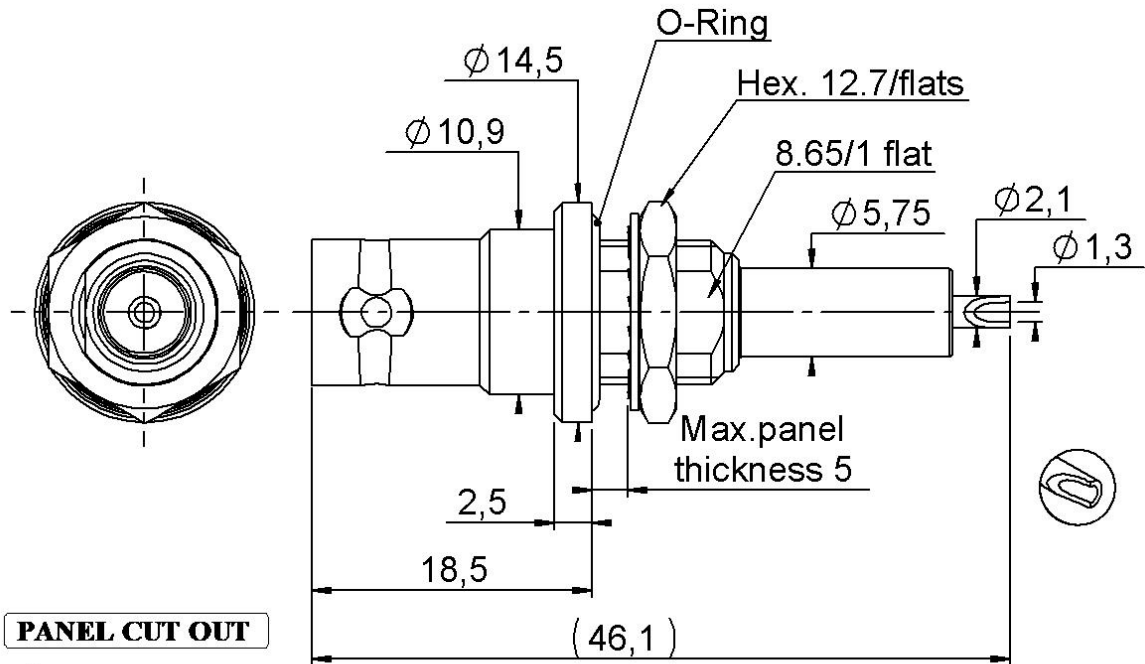
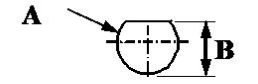


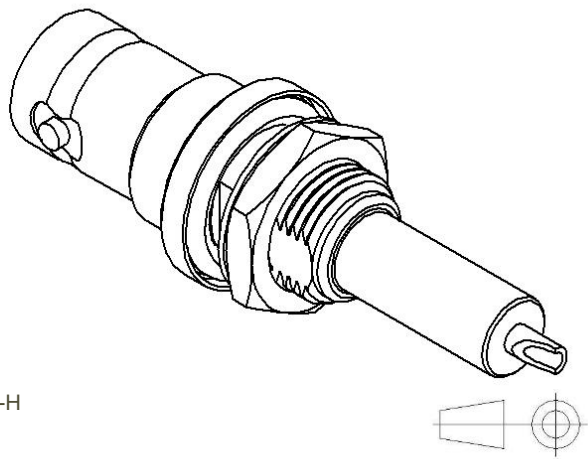
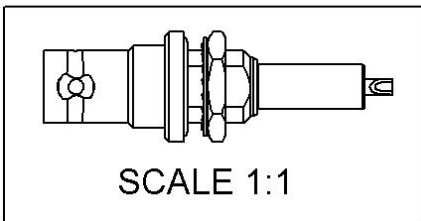
PAGE 1/2	ISSUE 31-05-21H	SERIES SHV	PART NUMBER R317580000
----------	--------------------	------------	------------------------



**PANEL CUT OUT**

A 

mm		
	Maxi	mini
<b>A</b>	<b>9.6</b>	<b>9.5</b>
<b>B</b>	<b>8.9</b>	<b>8.8</b>



All dimensions are in mm. Tolerances according ISO 2768 m-H

COMPONENTS	MATERIALS	PLATING (µm)
Body	<b>BRASS</b>	<b>NICKEL</b>
Center contact	<b>BRASS</b>	<b>GOLD OVER NICKEL</b>
Outer contact	-	-
Insulator	<b>PTFE</b>	-
Gasket	<b>SILICONE RUBBER</b>	-
Others parts	<b>BRASS</b>	<b>NICKEL</b>
-	-	-
-	-	-

PAGE 2/2	ISSUE <b>31-05-21H</b>	SERIES <b>SHV</b>	PART NUMBER <b>R317580000</b>
----------	---------------------------	-------------------	-------------------------------

PACKAGING

Standard	Unit	Other
<b>1</b>	-	<b>Contact us</b>

ELECTRICAL CHARACTERISTICS

Impedance		<b>50</b>	Ω
Frequency		<b>0-2</b>	GHz
VSWR	<b>1.2</b> +	<b>0,3000</b>	x F(GHz) Maxi
Insertion loss		<b>NA</b>	√F(GHz) dB Maxi
RF leakage	- (	<b>NA</b>	- F(GHz) dB Maxi
Voltage rating		*	Veff Maxi
Dielectric withstanding voltage		<b>10000</b>	Veff mini
Insulation resistance		<b>5000</b>	MΩ mini

MECHANICAL CHARACTERISTICS

Center contact retention			
Axial force – Mating End		<b>27</b>	N mini
Axial force – Opposite end		<b>27</b>	N mini
Torque		<b>NA</b>	N.cm mini

Recommended torque			
Mating		<b>NA</b>	N.cm
Panel nut		<b>250</b>	N.cm

Mating life		<b>500</b>	Cycles mini
Nominal Weight (Add +15% for max weight)		<b>20,0000</b>	g

ENVIRONMENTAL

Operating temperature	<b>-65/+165</b>	°C
Hermetic seal	<b>NA</b>	Atm.cm3/s
Panel leakage	<b>NA</b>	

SPECIFICATION

OTHER CHARACTERISTICS

Assembly instruction:

Others:  
**\*6000 V eff (DC)**  
**\*3500 V rms (AC)**