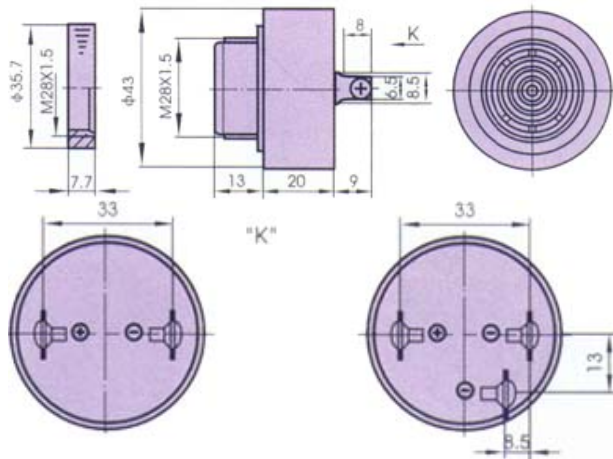
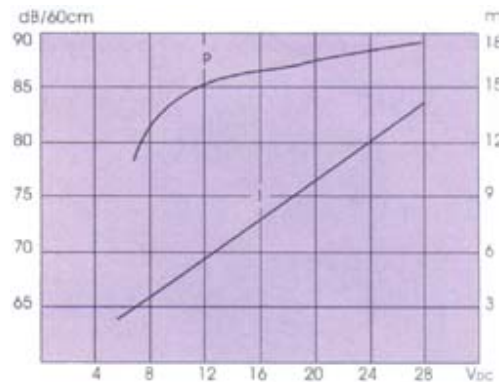




- FM-12B-900TYPE

**FEATURES:**

- High output
- Sealed type
- High reliability

**DIMENSIONS: (Unit: mm)****CHARACTERISTICS:****ELECTRICAL SPECIFICATIONS :**

Model No.	FM-12B-900 FM-12B-900(A)	FM-12B-901 FM-12B-901(A)	FM-12B-903 FM-12B-903(A)	FM-12B-905 FM-12B-905(A)	FM-12B-907 FM-12B-907(A)
Min. Sound Pressure Level (dB)	80 /12V <sub>DC</sub> /60cm-900~907 90 /12V <sub>DC</sub> /60cm-900(A)~907(A)				
Rated Voltage ( V <sub>DC</sub> )	12				
Operating Voltage (V <sub>DC</sub> )	6 ~ 28				
Max. Consumption (mA)	20 /12V <sub>DC</sub> 900~907		32 /12V <sub>DC</sub> 900A~907A		
Oscillating Frequency (kHz)	2.9 ± 0.5				
Tone Nature	Continuous	Fast Pulse	Slow Pulse	Continuous+ Fast pulse	Continuous+ Slow pulse
Operating Temperature (°C)	-20 ~ +70				
Weight (g)	35				
Case Material/Colour	ABS/Black				

**PACKING INFORMATION :**

Packing :	200 pcs per export carton
Carton Size :	47 X 30.5 X 31 cm
G. Weight :	10.5 kgs
N. Weight :	7 kgs