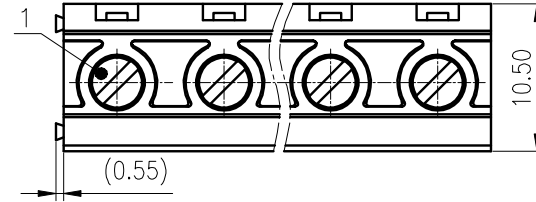
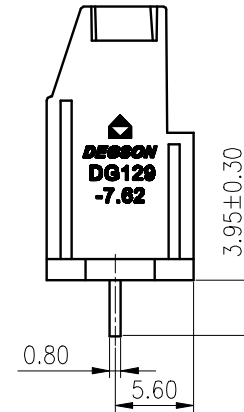
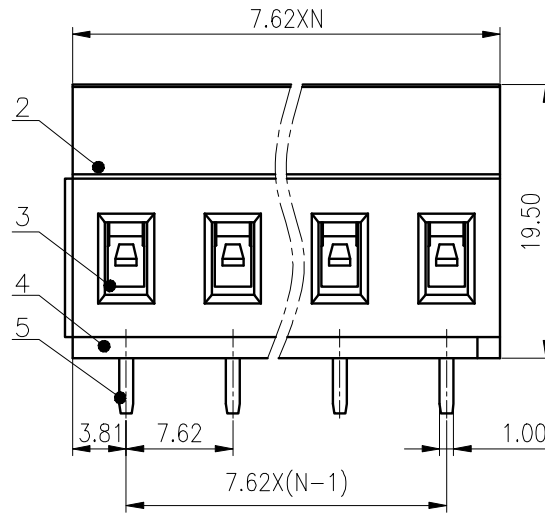
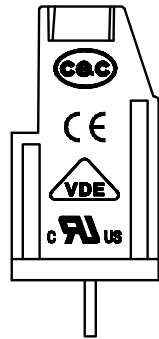


公差/General tolerances(mm)											0.1/10		
0	>3	>6	>10	>18	>30	>50	>80	>120	>180	>250		>315	>400
~3	~6	~10	~18	~30	~50	~80	~120	~180	~250	~315	~400	~500	~2.50
±0.12	±0.18	±0.22	±0.26	±0.31	±0.37	±0.57	±0.80	±0.93	±1.05	±1.15	±1.60	±2.20	±2.50

A



B



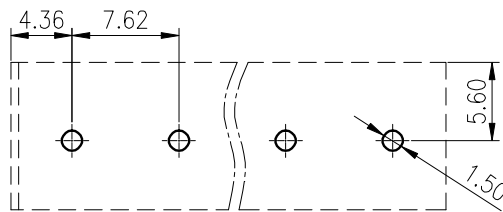
C

ITEM	NAME OF PART	MATERIAL	NOTES
5	Pin header	Copper alloy	Sn Plated
4	Cover	PA66	UL94V-0
3	Cage	Copper alloy	M3/Ni Plated
2	Housing	PA66	UL94V-0
1	Screw	Steel	M3/Zn Plated

UL 标准/UL Standard:	B	C	D
额定电压/电流/Rated Voltage(V)/Current(A)	300/20	/	300/10
IEC 标准/IEC Standard:			
过压类别/Overtoltage Category/污染等级/Pollution Degree	III/2		
额定电压/电流/Rated Voltage(V)/Current(A)	450/20		
工频耐压/Withstanding Voltage	AC2500V/1Min		
螺丝扭矩/Torque Tightening(N·m/Lb.in)	M3, 0.5/4.43		
线径范围(硬线和软线)/Wire Range(rigid and flexible)(mm <sup>2</sup> /AWG)	0.5~2.5/26~12		
间距/Pitch(mm)/线数范围/Poles	7.62/N=02~16P		
剥线长度/Stripping length(mm)	8		
使用温度范围/Operating temperature(°C)	-40~+105		
符合RoHS环保要求/Conform to RoHS	Yes		

D

PCB LAYOUT



MATERIAL: /	SURFACE: /		
MAT NO.: /	<b>宁波高松电子有限公司</b> <b>NINGBO DEGSON ELECTRICAL CO., LTD</b>		
STATUS: /			
APPD: LanChH 2020.03.19	NAME: <b>DG129-7.62-XXP-1Y-100A(H)</b>		
CHKD: YuJZ 2020.03.19	DRAWING NO.: DG129-7.62-C22		
DRFT: Jay.z 2016.01.07	REV	T1	
SIZE: A4                  mm (inch)	TYPE: CUSTOMER DRAWING	SCALE: 2:1	SHEET 1/1

REV	ECN	DESCRIPTION	DRFT	DATE