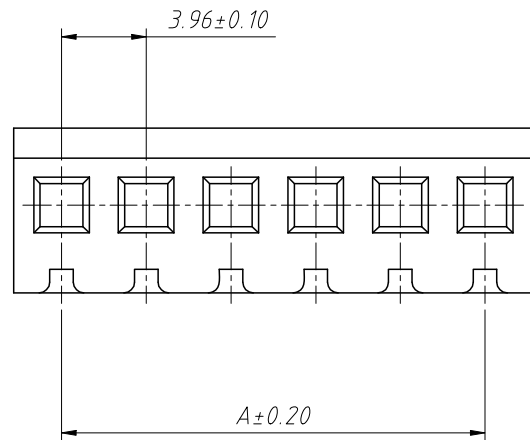


RoHS Compliance



Pins	Dimensions		Pins	Dimensions	
	A	B		A	B
02	3.96	8.43	12	43.56	48.03
03	7.92	12.39	13	47.52	51.99
04	11.88	16.35	14	51.48	55.95
05	15.84	20.31	15	55.44	59.91
06	19.80	24.27	16	59.40	63.87
07	23.76	28.23	17	63.36	67.83
08	27.72	32.19	18	67.32	71.79
09	31.68	36.15	19	71.28	75.75
10	35.64	40.11	20	75.24	79.71
11	39.60	44.07			

Material:

Housing:PA66,UL94V-2

Electrical Characteristics:

Rated Current:7.0AMP

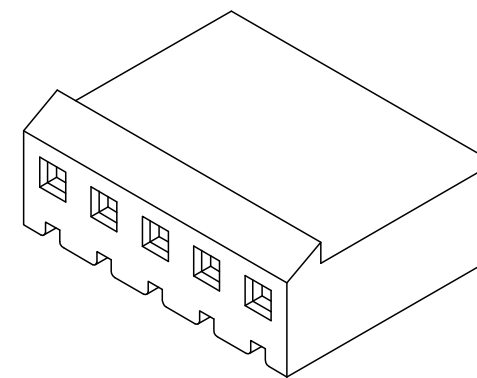
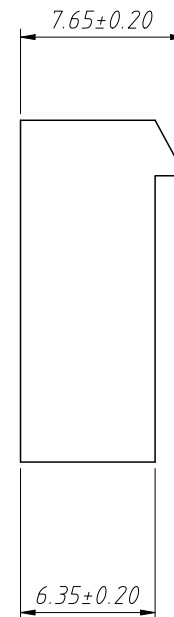
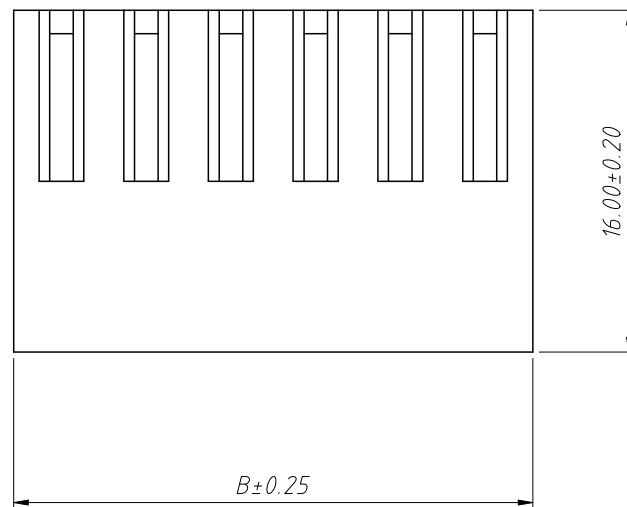
Voltage rating:250V AC,DC

Temperature range:-25°C ~ + 85°C

Insulator Resistance:1000MΩ Min

Withstanding Voltage:1500V AC/minute

Contact Resistance:20mΩ Max



Order Information:

L-KLS1-3.96-XX-H

L: RoHS

Pitch:3.96mm

XX-No.of 02~20pins

Type:

H-Hosing T-Terminal

S-Straight male pin

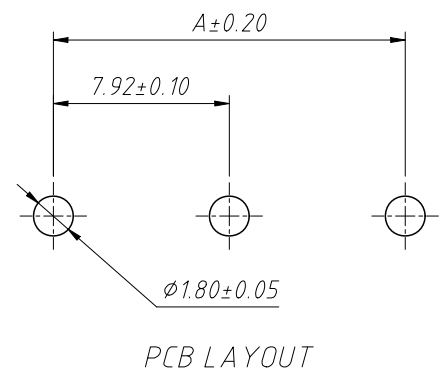
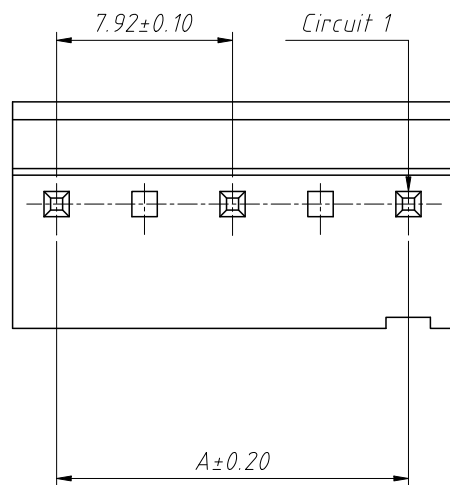
R-Right angle male pin

ANGLE TOLERANCE	PROJECTION	Description:	3.96mm Pitch KK396 KK2139
±3°			Wire To Board Connector
GENERAL TOLERANCE	UNITS	mm	KLS P/N: L-KLS1-3.96-XX-H
x.x ±0.30	SHEET SIZE	A4	
x.xx ±0.20	Draw:	Daniel	2021-01-11
x.xxx ±0.10	Check:	Daniel	2021-01-11



NingBo KLS ELECTRONIC CO.,LTD.

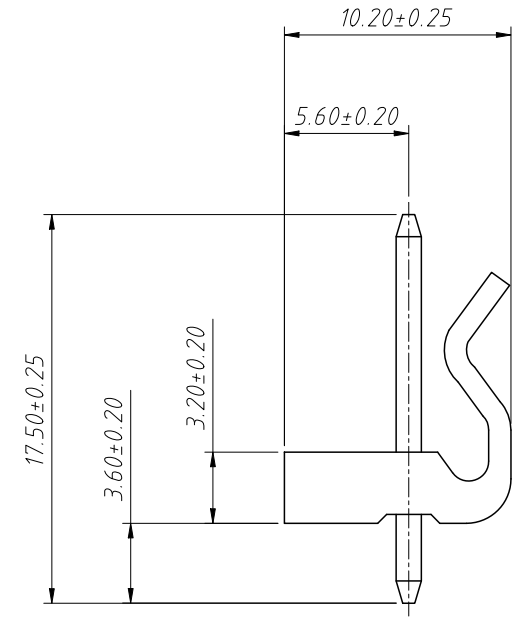
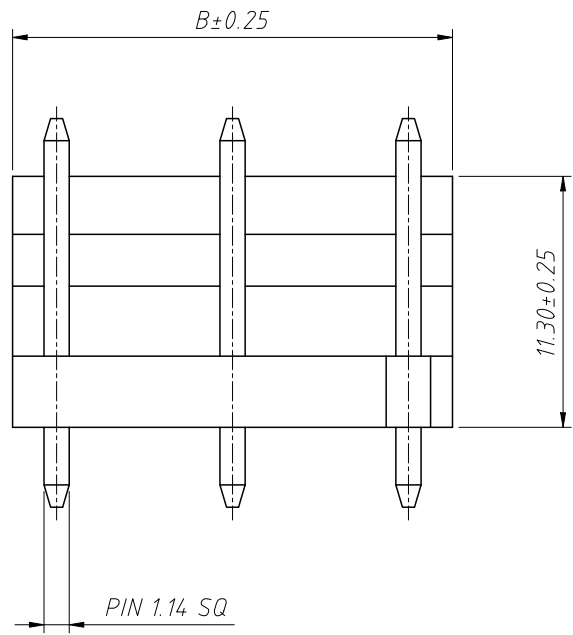
RoHS Compliance



Pins	Dimensions	
	A	B
03	7.92	11.88
05	15.84	19.80
07	23.76	27.72
09	31.68	35.64
11	39.60	43.56
13	47.52	51.48
15	55.44	59.40
17	63.36	67.32
19	71.28	75.24

Material:
 Housing: PA66, UL 94 V-2, Natural
 Contact: Brass
 Plating: Tin plate Over Nickel

Electrical Characteristics:
 Rated Current: 7.0AMP
 Voltage rating: 250V AC, DC
 Temperature range: -40°C ~ +105°C
 Insulator Resistance: 1000MΩ Min
 Withstanding Voltage: 1500V AC/minute
 Contact Resistance: 10mΩ Max

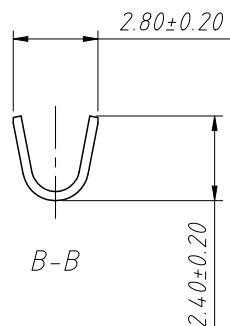
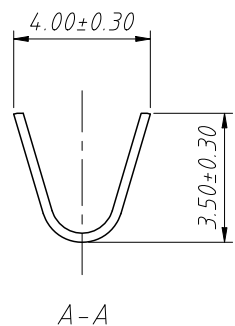
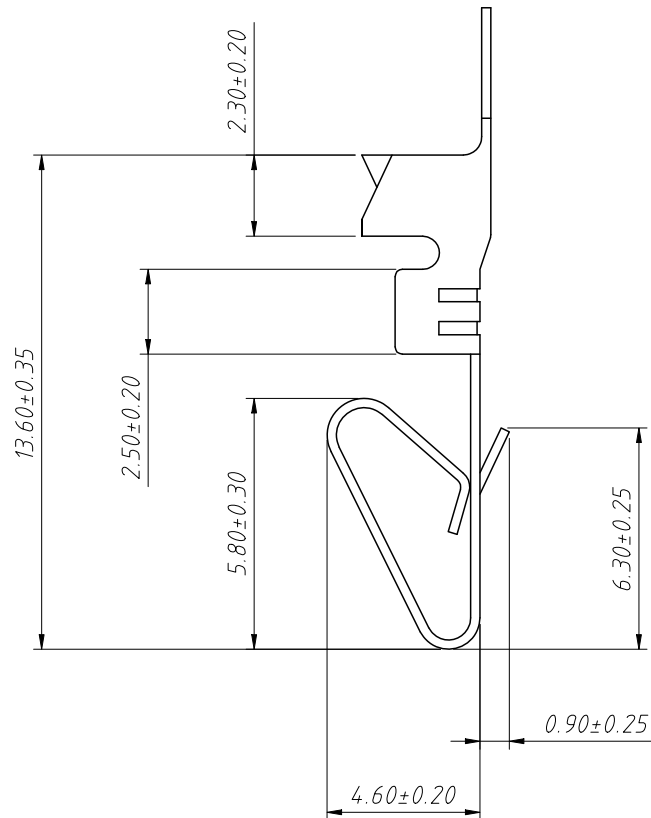
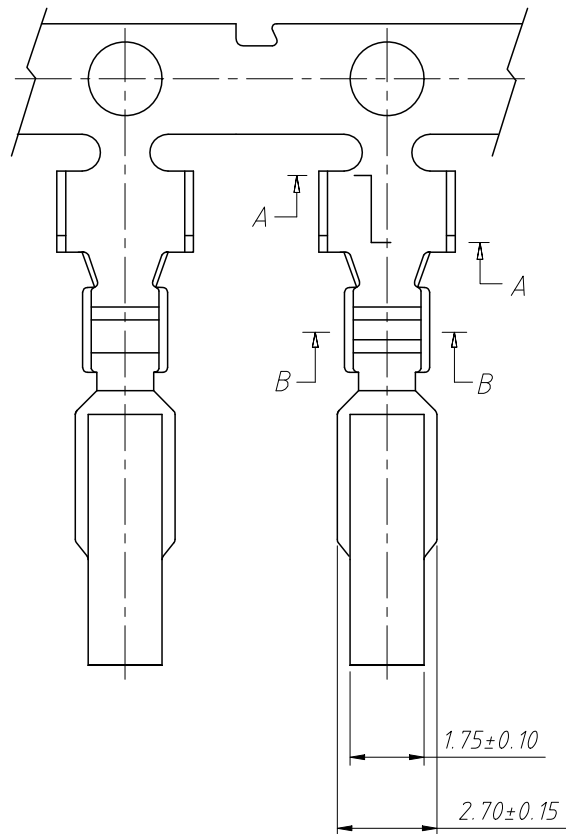


Order Information:
 L-KLS1-3.96-XXPK-S

L: RoHS
 Pitch: 3.96mm
 XX-No. of 03 ~ 19pins
 XK-Empty Pins
 Type:
 S-Straight male pin
 R-Right angle male pin

ANGLE TOLERANCE	PROJECTION	Description:	3.96mm Pitch KK396 KK2139
±3°			Wire To Board Connector
GENERAL TOLERANCE	UNITS	mm	KLS P/N: L-KLS1-3.96-XXPK-S
x.x ±0.30	SHEET SIZE	A4	NingBo KLS ELECTRONIC CO.,LTD.
x.xx ±0.20	Draw:	Daniel 2021-01-11	
x.xxx ±0.10	Check:	Daniel 2021-01-11	

RoHS Compliance

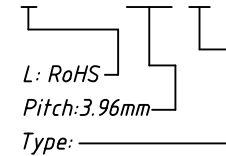


Material:
 Terminal: Brass
 Plating: Tin plated
 Applicable wires: AWG #24 ~ # 18
 Insulation O.D: 2.8mm
 Thickness: 0.25mm
 Qty/reel: 5000 pcs

Electrical Characteristics:
 Rated Current: 7.0AMP
 Voltage rating: 250V AC,DC
 Temperature range: -25°C ~ + 85°C
 Insulator Resistance: 1000MΩ Min
 Withstanding Voltage: 1500V AC/minute
 Contact Resistance: 20mΩ Max

Order Information:

L-KLS1-3.96-T



L: RoHS

Pitch: 3.96mm

Type:

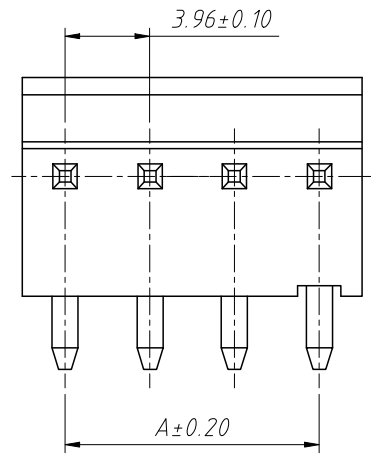
H-Hosing T-Terminal

S-Straight male pin

R-Right angle male pin

ANGLE TOLERANCE	PROJECTION	Description:	3.96mm Pitch KK396 KK2139
±3°			Wire To Board Connector
GENERAL TOLERANCE	UNITS	mm	KLS P/N: L-KLS1-3.96-T
x.x ±0.30	SHEET SIZE	A4	NingBo KLS ELECTRONIC CO.,LTD.
x.xx ±0.20	Draw:	Daniel	
x.xxx ±0.10	Check:	Daniel	
		2021-01-11	
		2021-01-11	

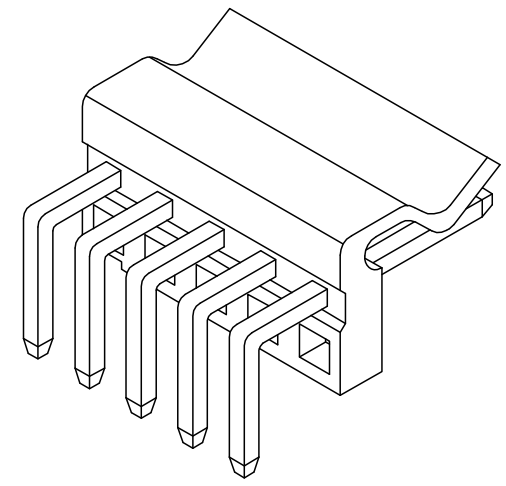
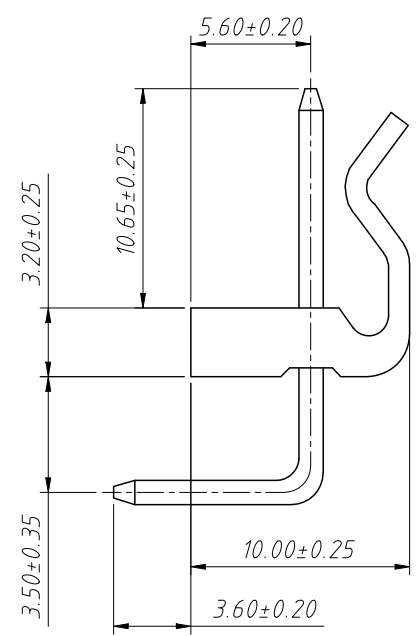
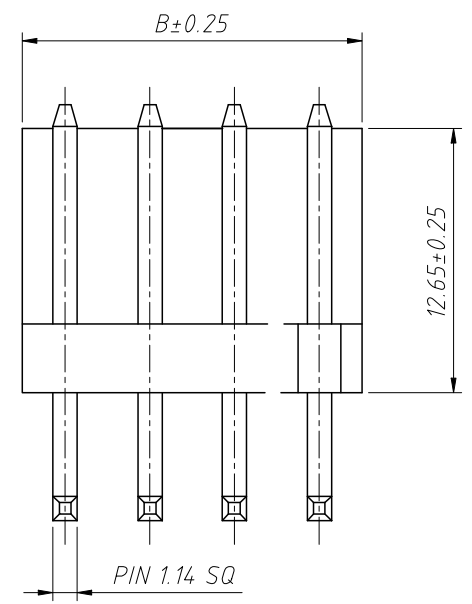
RoHS Compliance



Pins	Dimensions		Pins	Dimensions	
	A	B		A	B
02	3.96	7.92	12	43.56	47.52
03	7.92	11.88	13	47.52	51.48
04	11.88	15.84	14	51.48	55.44
05	15.84	19.80	15	55.44	59.40
06	19.80	23.76	16	59.40	63.36
07	23.76	27.72	17	63.36	67.32
08	27.72	31.68	18	67.32	71.28
09	31.68	35.64	19	71.28	75.24
10	35.64	39.60	20	75.24	79.20
11	39.60	43.56			

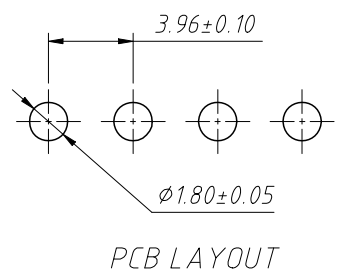
Material:
 Housing: PA66, UL94V-2
 Contact: Brass
 Plating: Tin plate

Electrical Characteristics:
 Rated Current: 7.0AMP
 Voltage rating: 250V AC, DC
 Temperature range: -25°C ~ +85°C
 Insulator Resistance: 1000MΩ Min
 Withstanding Voltage: 1500V AC/minute
 Contact Resistance: 20mΩ Max



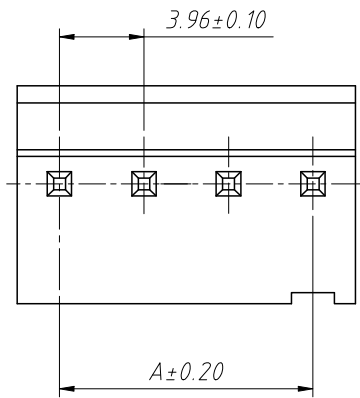
Order Information:
 L-KLS1-3.96-XX-R

L: RoHS
 Pitch: 3.96mm
 XX-No. of 02~20pins
 Type:
 H-Hosing T-Terminal
 S-Straight male pin
 R-Right angle male pin



ANGLE TOLERANCE	PROJECTION	Description:	3.96mm Pitch KK396 KK2139
±3°			Wire To Board Connector
GENERAL TOLERANCE	UNITS	mm	KLS P/N: L-KLS1-3.96-XX-R
x.x ±0.30	SHEET SIZE	A4	NingBo KLS ELECTRONIC CO.,LTD.
x.xx ±0.20	Draw:	Daniel 2021-01-11	
x.xxx ±0.10	Check:	Daniel 2021-01-11	

RoHS Compliance



Pins	Dimensions		Pins	Dimensions	
	A	B		A	B
02	3.96	7.92	12	43.56	47.52
03	7.92	11.88	13	47.52	51.48
04	11.88	15.84	14	51.48	55.44
05	15.84	19.80	15	55.44	59.40
06	19.80	23.76	16	59.40	63.36
07	23.76	27.72	17	63.36	67.32
08	27.72	31.68	18	67.32	71.28
09	31.68	35.64	19	71.28	75.24
10	35.64	39.60	20	75.24	79.20
11	39.60	43.56			

Material:

Housing: PA66, UL94V-2

Contact: Brass

Plating: Tin plate

Electrical Characteristics:

Rated Current: 7.0AMP

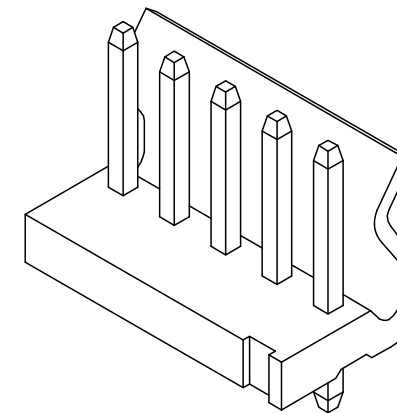
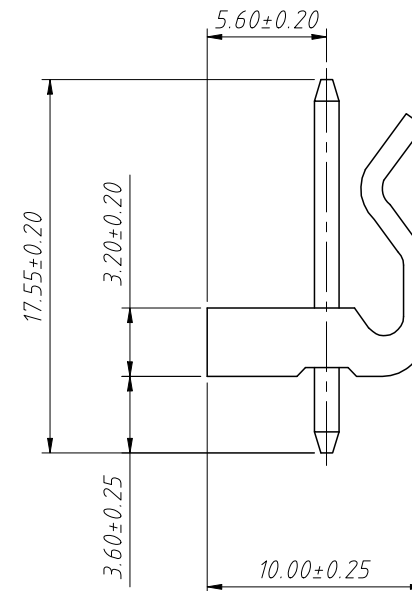
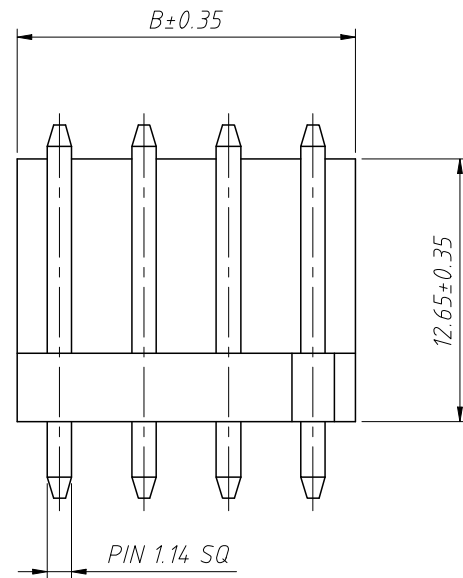
Voltage rating: 250V AC, DC

Temperature range: -25°C ~ +85°C

Insulator Resistance: 1000MΩ Min

Withstanding Voltage: 1500V AC/minute

Contact Resistance: 20mΩ Max



Order Information:

L-KLS1-3.96-XX-S

L: RoHS

Pitch: 3.96mm

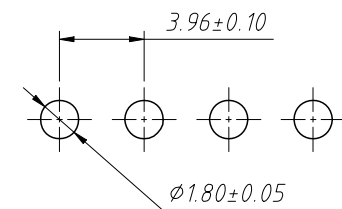
XX-No. of 02~20pins

Type:

H-Hosing T-Terminal

S-Straight male pin

R-Right angle male pin



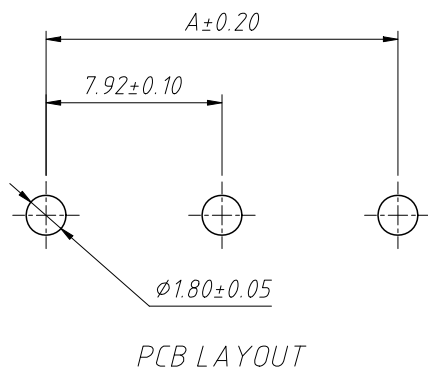
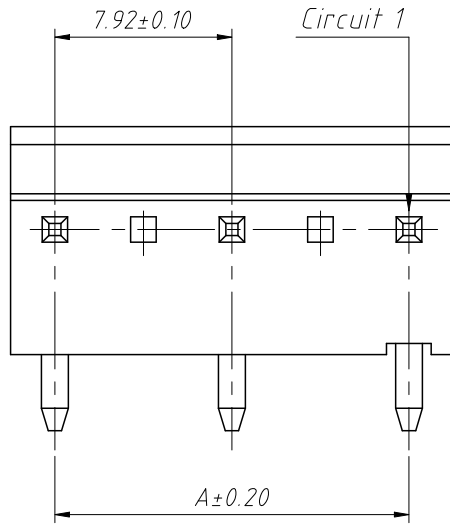
PCB LAYOUT

ANGLE TOLERANCE	PROJECTION	Description:	
±3°		3.96mm Pitch KK396 KK2139	Wire To Board Connector
GENERAL TOLERANCE	UNITS	mm	KLS P/N:
x.x ±0.30	SHEET SIZE	A4	L-KLS1-3.96-XX-S
x.xx ±0.20	Draw:	Daniel	2021-01-11
x.xxx ±0.10	Check:	Daniel	2021-01-11



NingBo KLS ELECTRONIC CO.,LTD.

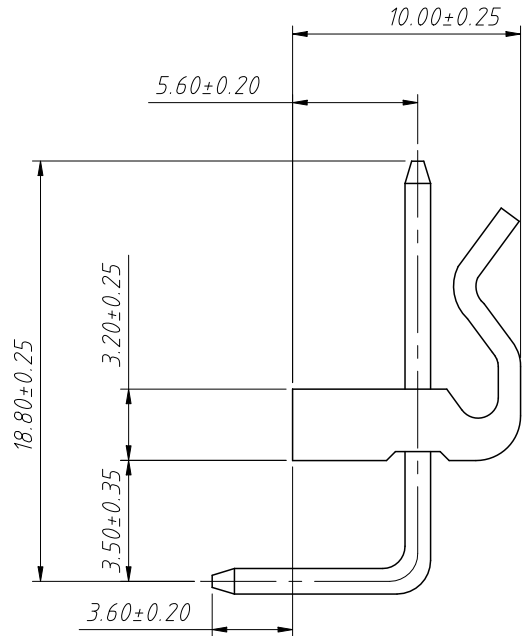
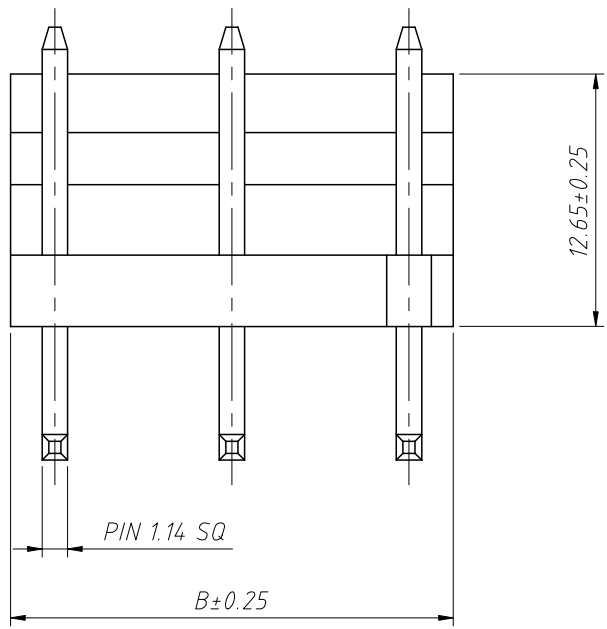
RoHS Compliance



Pins	Dimensions	
	A	B
03	7.92	11.88
05	15.84	19.80
07	23.76	27.72
09	31.68	35.64
11	39.60	43.56
13	47.52	51.48
15	55.44	59.40
17	63.36	67.32
19	71.28	75.24

Material:
Housing: PA66, UL 94 V-2, Natural
Contact: Brass
Plating: Tin plate Over Nickel

Electrical Characteristics:
Rated Current: 7.0AMP
Voltage rating: 250V AC, DC
Temperature range: -40°C ~ +105°C
Insulator Resistance: 1000MΩ Min
Withstanding Voltage: 1500V AC/minute
Contact Resistance: 10mΩ Max



Order Information:
L-KLS1-3.96-XXPXK-R

L: RoHS
Pitch: 3.96mm
XX-No. of 03~19pins
XK-Empty Pins
Type:
S-Straight male pin
R-Right angle male pin

ANGLE TOLERANCE	PROJECTION	Description:	3.96mm Pitch KK396 KK2139
±3°			Wire To Board Connector
GENERAL TOLERANCE	UNITS	mm	KLS P/N: L-KLS1-3.96-XXPXK-R
x.x ±0.30	SHEET SIZE	A4	
x.xx ±0.20	Draw:	Daniel	2021-01-11
x.xxx ±0.10	Check:	Daniel	2021-01-11



NingBo KLS ELECTRONIC CO.,LTD.