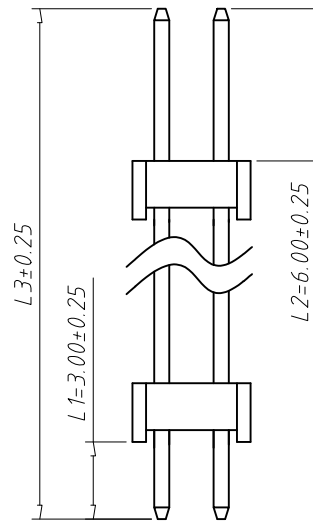
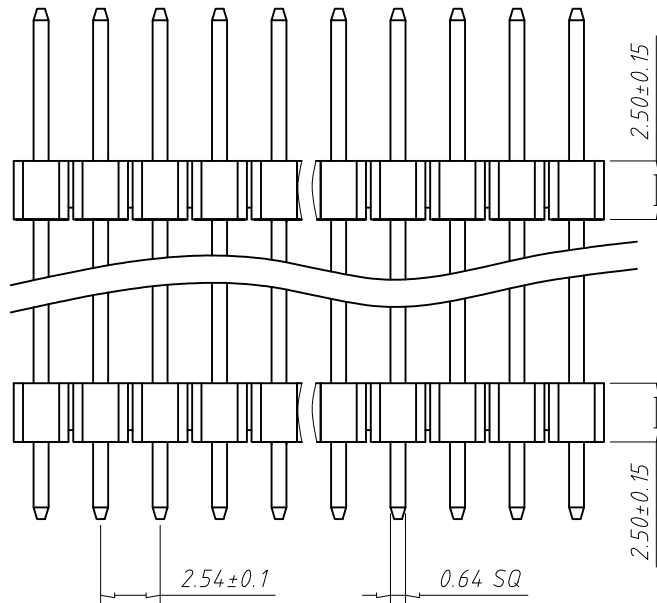


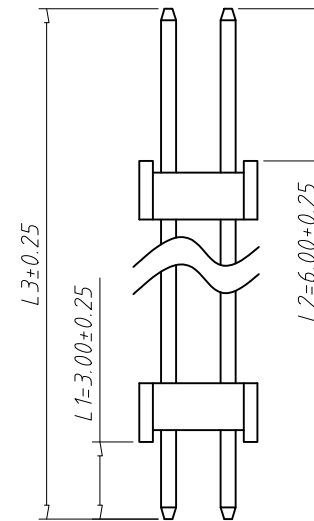
Material:
Standard: PA6T
Contact: Brass
Insulator: Polyester, UL94V-0

Electrical Characteristics:
Rated Current: 3AMP
Contact Resistance: 20mΩ Max
Withstand Voltage: 1000V AC/DC
Insulator Resistance: 1000MΩ Min

Mechanical
Operating Temperature: -40°C ~ +105°C



S Type



S1 Type

Dimension antitheses list (mm)

ITEM	L1	L2	L3	Plastic Height
Standard	3.00	6.00	19.00	2.50
Nonstandard	---	---	---	---

Total Pitch Tolerances in mm										Nominal dimension range in mm										⊥	≡	—	//		
over 0	over 30	over 53	over 70	over 90	over 115	over 150	over 250	over 350	over 500	over 0	over 30	over 53	over 70	over 90	over 115	over 150	over 200	over 250	over 320	over 0	over 10	all	over 0	over 100	over 150
±0.18	±0.20	±0.25	±0.3	±0.35	±0.44	±0.60	±0.70	±0.85	±0.20	±0.25	±0.30	±0.35	±0.44	±0.55	±0.70	±0.80	±0.90	0.2	0.3	0.3	0.3	0.3	0.2	0.3	0.5

ITEM	NAME OF PART	NO. OF PART	Q"TY	MATERIAL			NOTE	
DWG.	DATE		SIZE	A4	UNITS	mm	SHEET/OF	1 / 1
CHK.	DATE		SCALE					
APP.	DATE		NAME		PLHD-80			
			DWGNO.					

