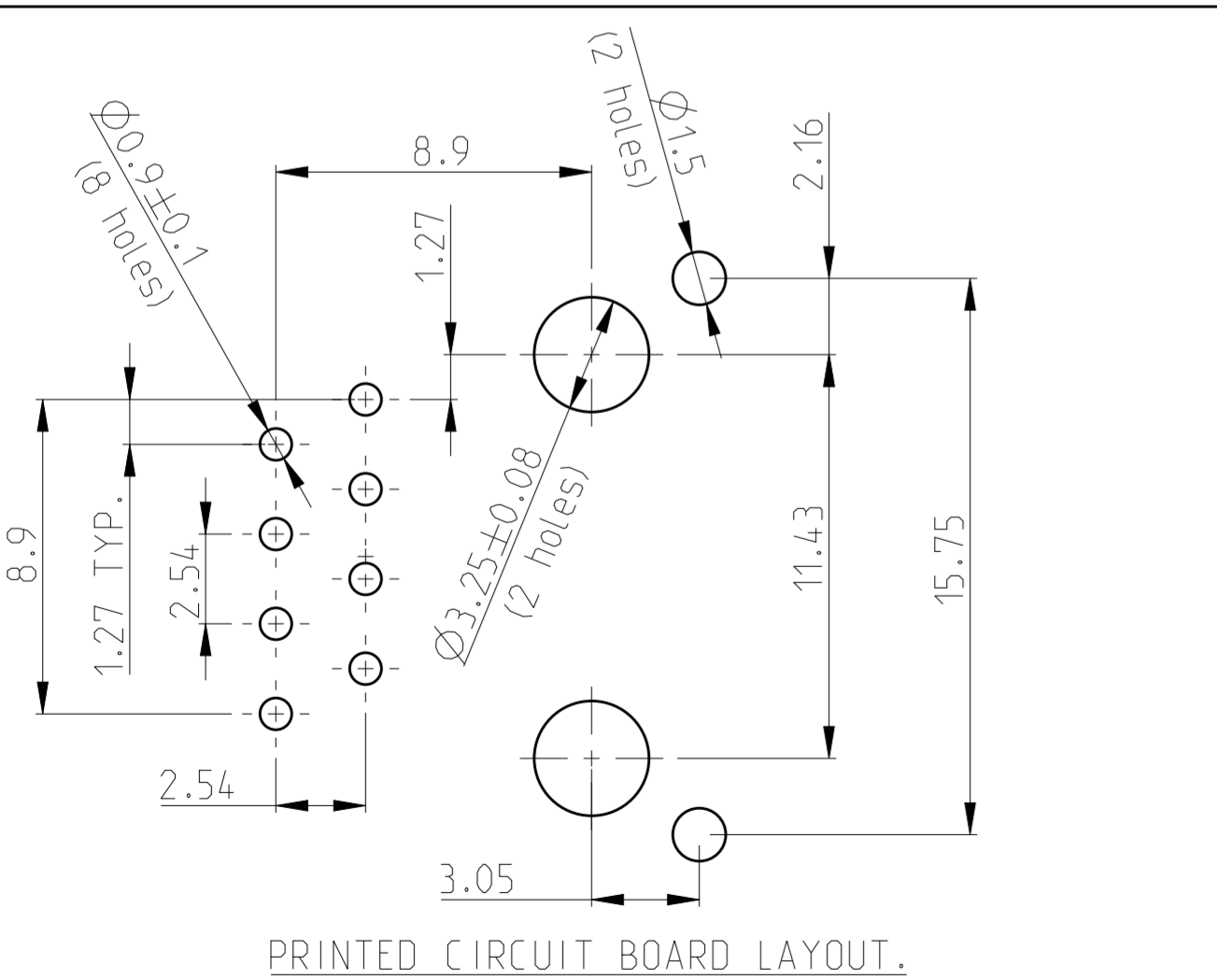
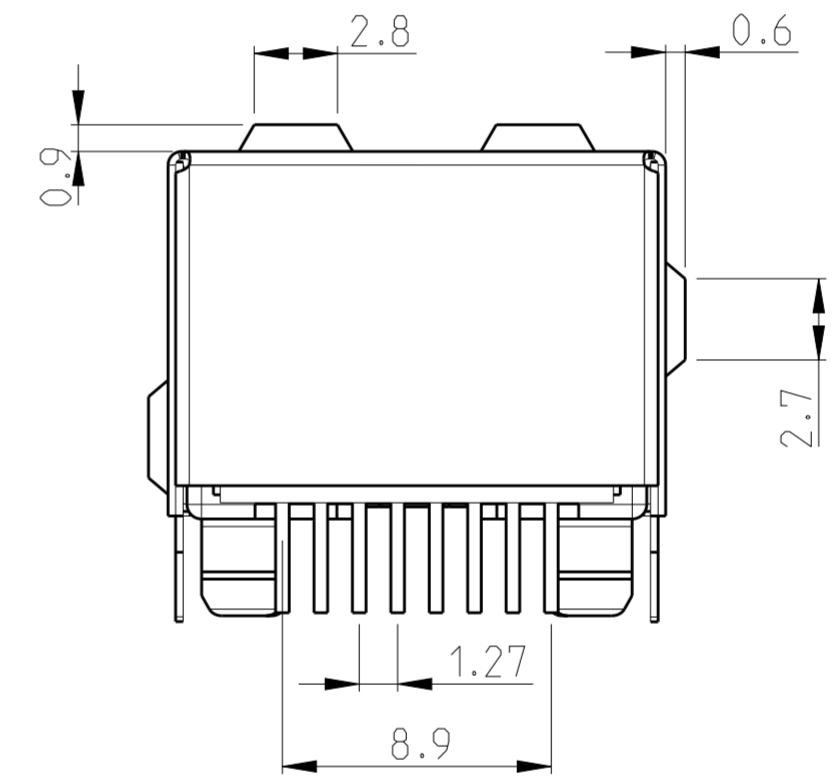
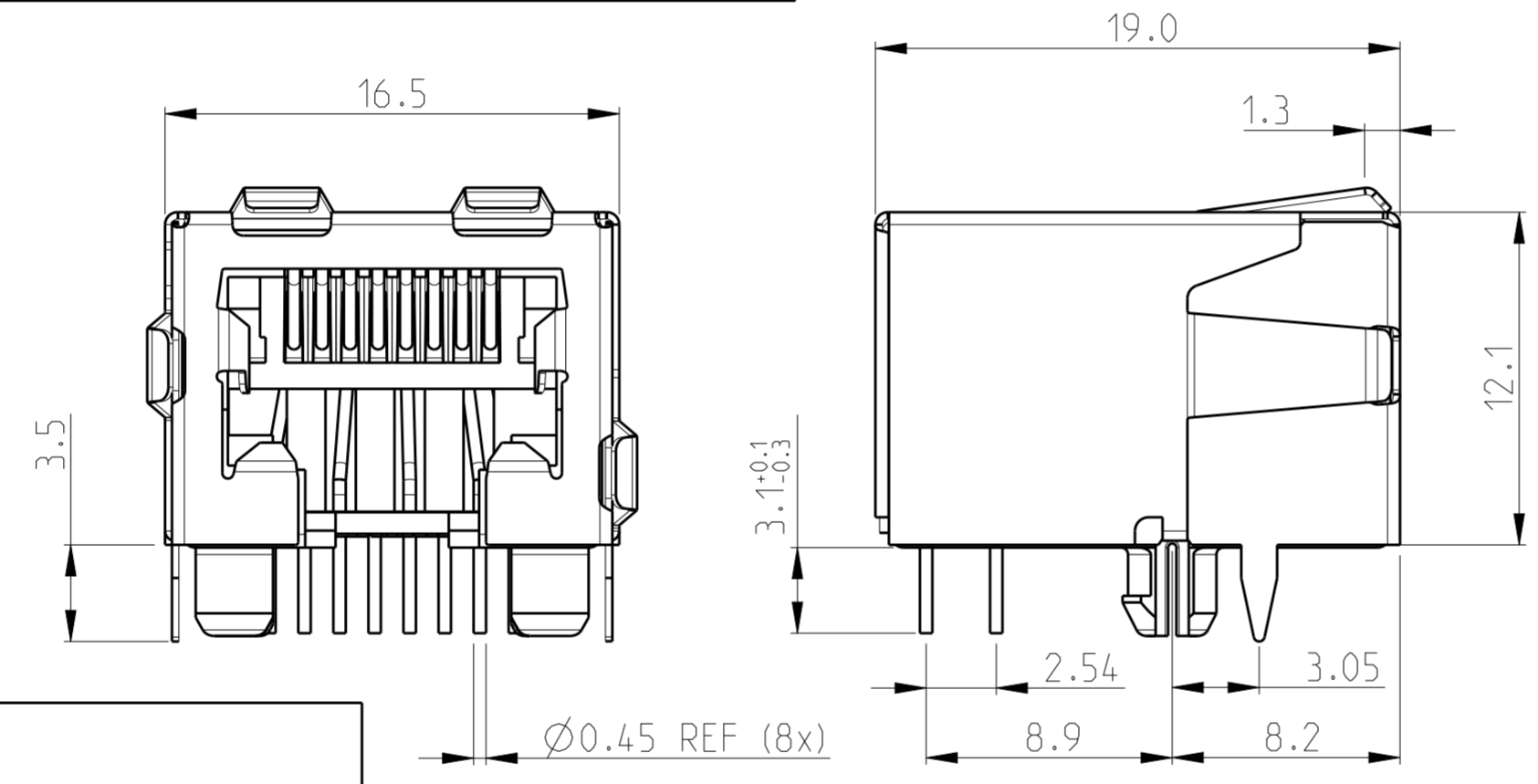
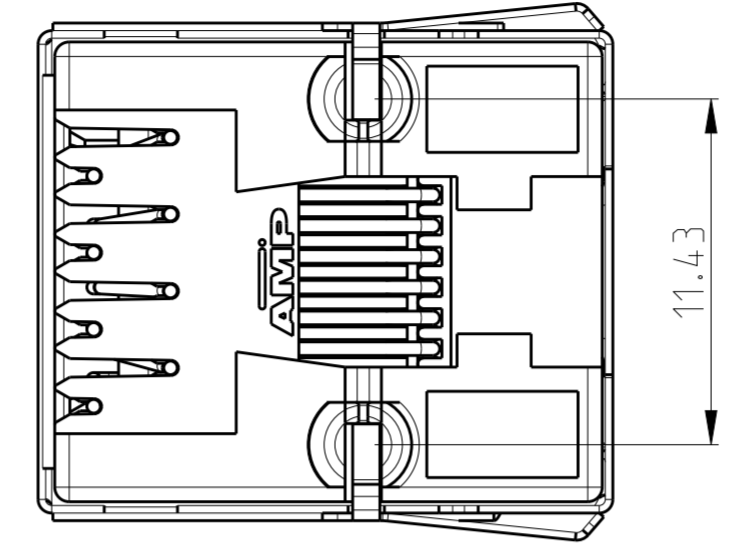
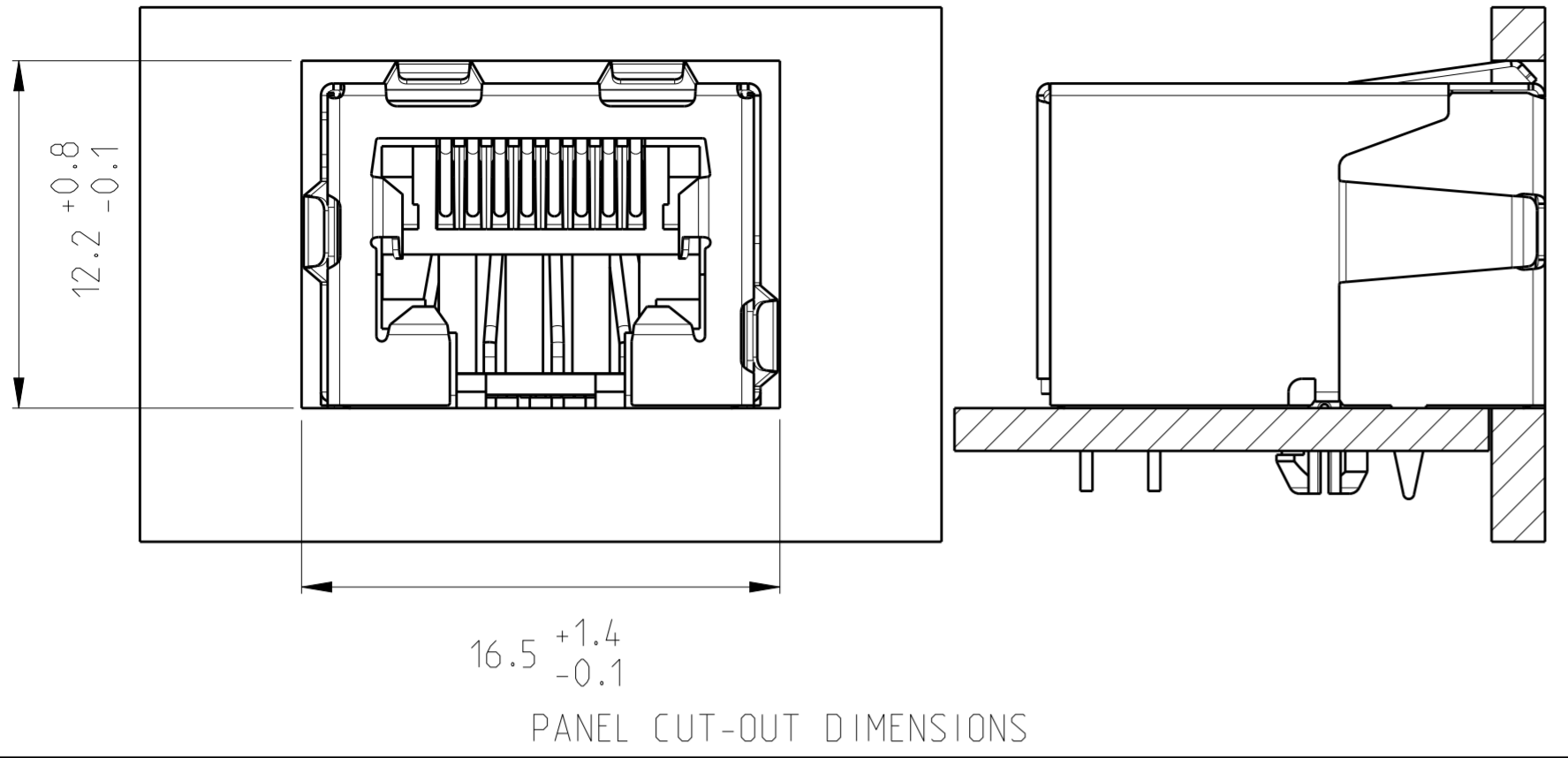


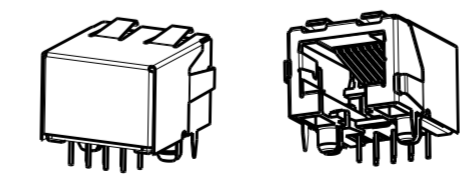
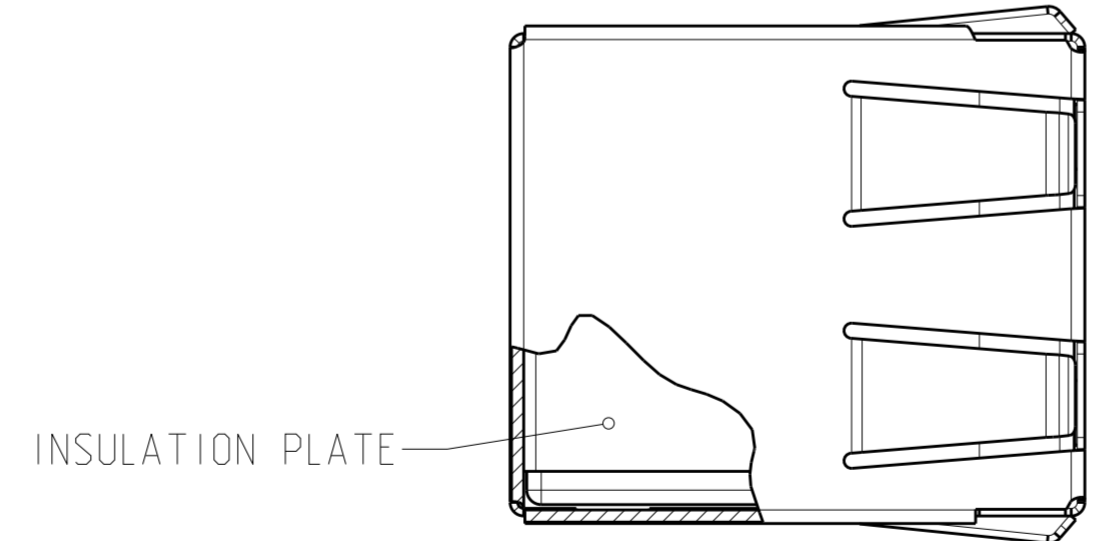
THIS DRAWING IS UNPUBLISHED. RELEASED FOR PUBLICATION 2000
 © COPYRIGHT 2000 TE CONNECTIVITY ALL RIGHTS RESERVED.

| LOC | | DIST | | REVISIONS | | | |
|-----|-----|-------------------------------------|-----------|-----------|------|--|--|
| P | LTR | DESCRIPTION | DATE | DWN | APVD | | |
| C | | SHIELD RAW MATERIAL CHANGE TO BRASS | 08MAR2012 | PS | RRP | | |
| C1 | | ECR-12-014775 | 21AUG2012 | SS | RRP | | |



PRINTED CIRCUIT BOARD LAYOUT.

(VIEW SHOWN IS CIRCUIT (NONCOMPONENT) SIDE OF BOARD)
 PRINTED CIRCUIT BOARD THICKNESS: 1.6 mm NOMINAL.
 TOLERANCE UNLESS OTHERWISE SPECIFIED: ±0.05mm.



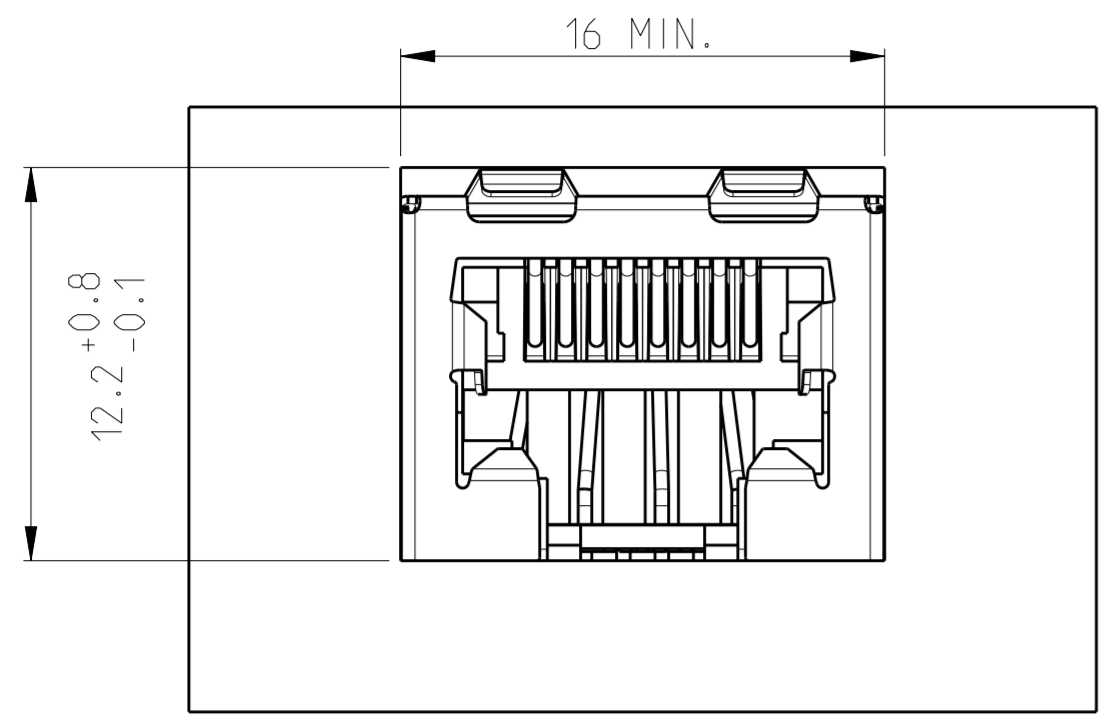
SCALE: 1:1

| | | | | |
|-------------------------------------|-------------------|--|--|-------------|
| PACKAGED 190 PIECES IN A TRAY | 8 POS. 8 CONT. | OVERALL: Ni 1.27 µm MIN. ALL OVER THE CONTACTS SOLDER ZONE: Sn 2.5 µm MIN. ON THE SOLDER ZONE OF THE CONTACT MATING ZONE: PLATING CONFIRMS TO PRODUCT REQUIREMENTS AS PER SPECIFICATION 108-19064 | HOUSING: PBT UL 94 V-0 BLACK CONTACTS: PHOSPHOR BRONZE SHIELD: BRASS PRE-PLATED (BRIGHT TIN) | 2-5338556-1 |
| PACKAGING | REMARKS | PLATING | MATERIAL | P/N |

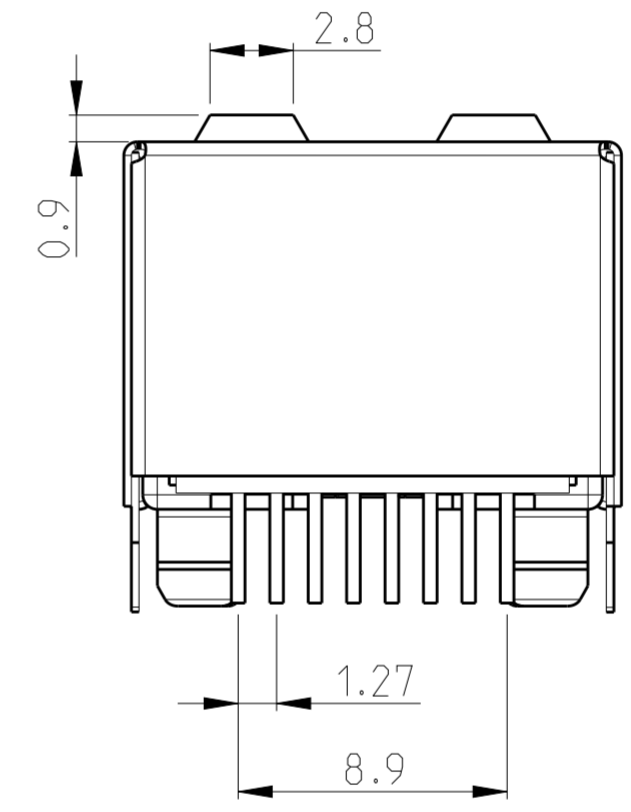
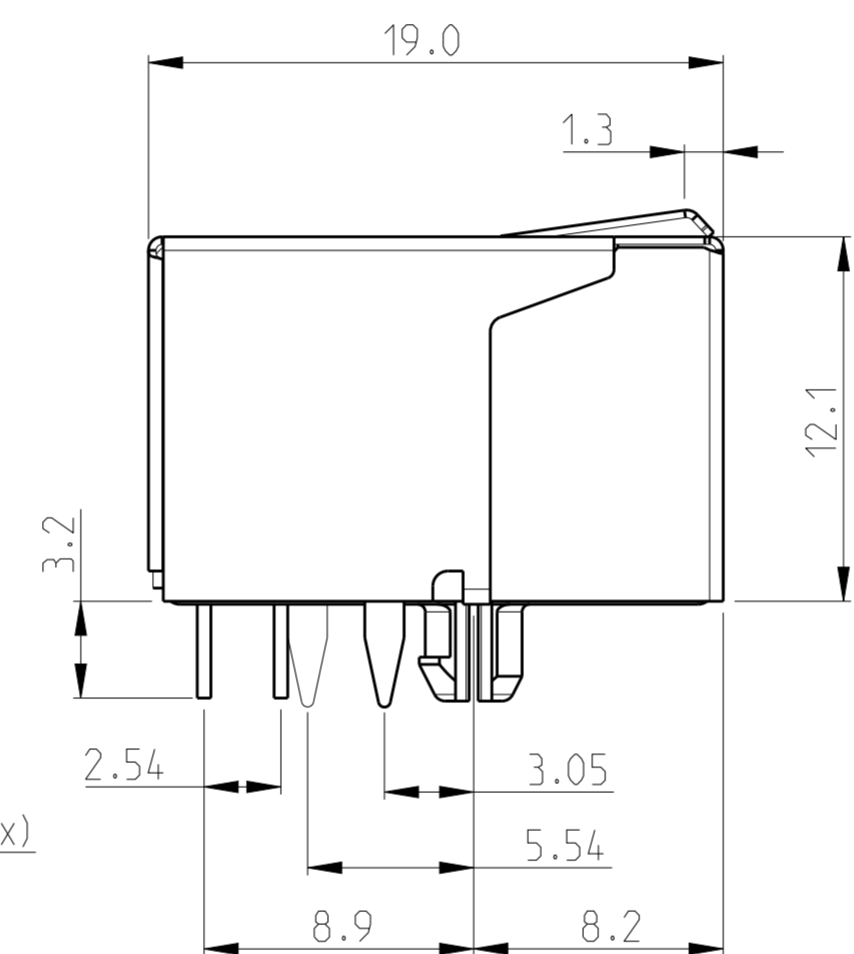
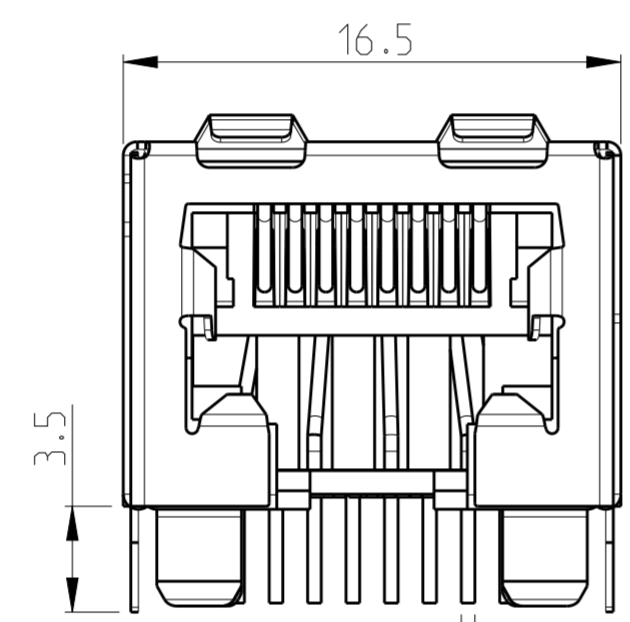
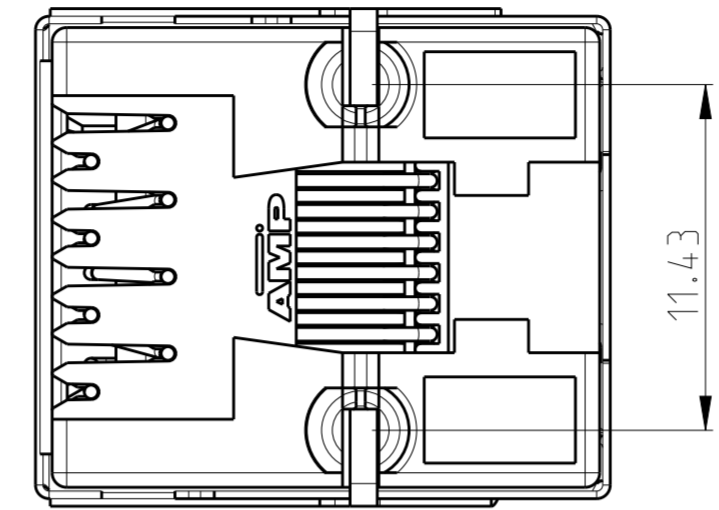
| | | | | |
|---|--|---------------------------------|--|--|
| THIS DRAWING IS A CONTROLLED DOCUMENT. | | DWN P. Willems 25-Feb-05 | TE Connectivity | |
| | | CHK P. Groels 25-Feb-05 | | |
| | | APVD J. Broeksteeg 25-Feb-05 | NAME 8 pos. Modular Jack Side Entry fully shielded with insulation plate | |
| DIMENSIONS: mm | | PRODUCT SPEC 108-19064 | SIZE A2 | |
| TOLERANCES UNLESS OTHERWISE SPECIFIED: | | APPLICATION SPEC 114-19019 | CAGE CODE 00779 | |
| MATERIAL | | WEIGHT | DRAWING NO 5338556 | |
| | | CUSTOMER DRAWING | RESTRICTED TO | |
| | | SCALE 4:1 | SHEET 1 OF 2 | |
| | | | REV C1 | |

THIS DRAWING IS UNPUBLISHED. RELEASED FOR PUBLICATION 2000
 © COPYRIGHT 2000 TE CONNECTIVITY ALL RIGHTS RESERVED.

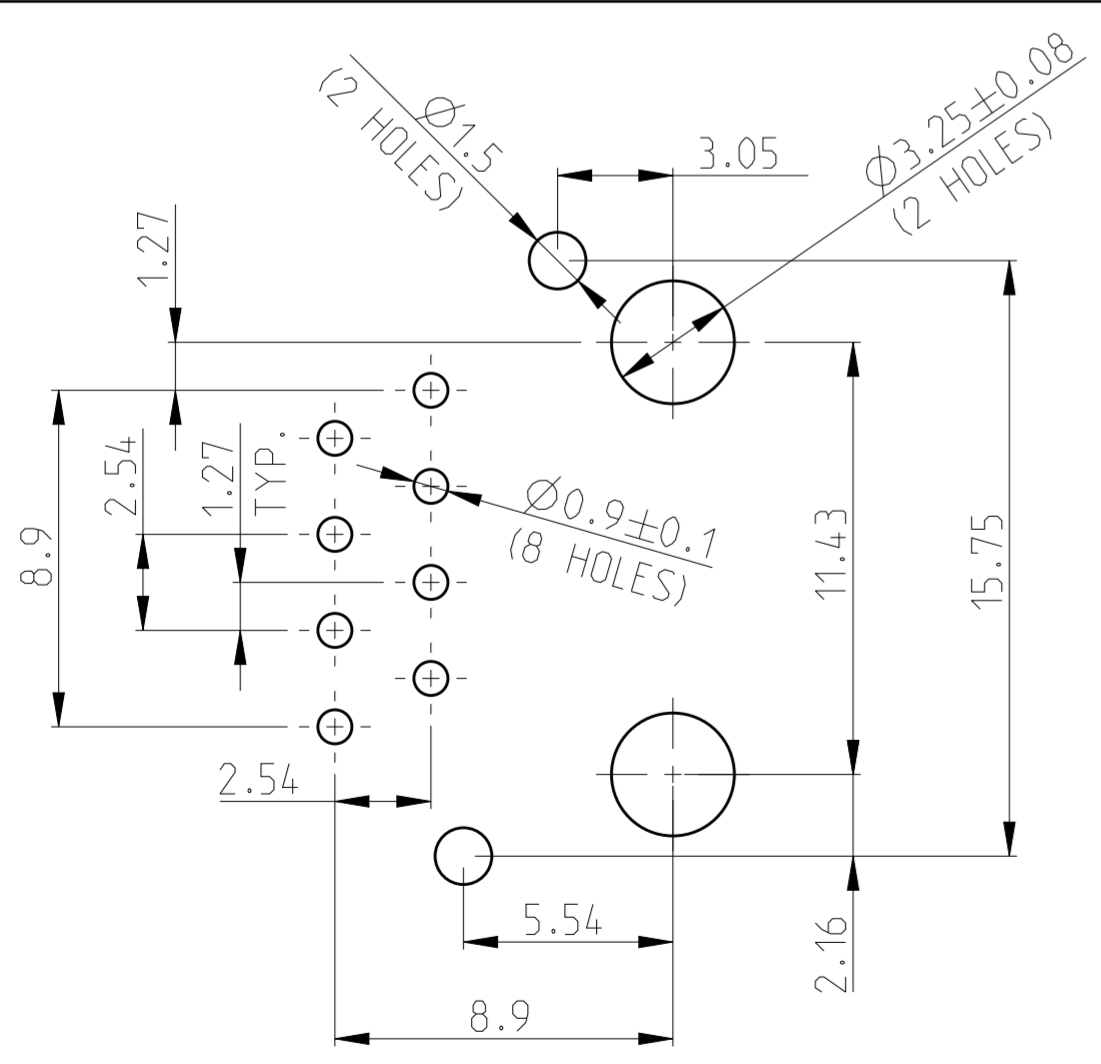
| LOC | | DIST | | REVISIONS | | | |
|-----|-----|-------------|------|-----------|------|--|--|
| P | LTR | DESCRIPTION | DATE | DWN | APVD | | |
| - | - | SEE SHEET 1 | - | - | - | | |



PANEL CUT-OUT DIMENSIONS

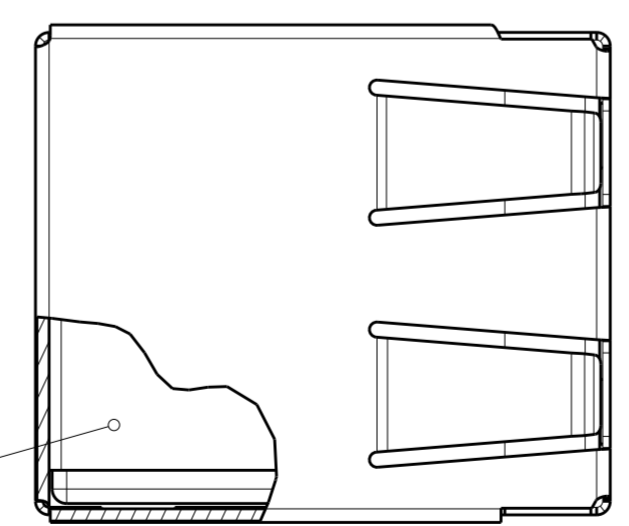


Ø0.45 REF (8x)



PRINTED CIRCUIT BOARD LAYOUT.

(VIEW SHOWN IS CIRCUIT (NONCOMPONENT) SIDE OF BOARD.)
 PRINTED CIRCUIT BOARD THICKNESS: 1.6 mm NOMINAL.
 TOLERANCE UNLESS OTHERWISE SPECIFIED: ± 0.15 mm.



INSULATION PLATE

| | | | | |
|--|---|--|---|-----------------|
| PACKAGING | REMARKS | DESCRIPTION | MATERIAL | P/N |
| PACKAGED 190 PIECES IN A TRAY | 8 POS. 8 CONT. | OVERALL: Ni 1.27 µm MIN. ALL OVER THE CONTACTS SOLDER ZONE: Sn 2.5 µm MIN. ON THE SOLDER ZONE OF THE CONTACT MATING ZONE: PLATING CONFIRMS TO PRODUCT REQUIREMENTS AS PER SPECIFICATION 108-19064 | HOUSING: PBT UL 94V-0 BLACK CONTACTS: PHOSPHOR BRONZE SHIELD: BRASS PRE-PLATED BRIGHT TIN | 3-5338556-1 |
| THIS DRAWING IS A CONTROLLED DOCUMENT. | | DWN P.Willems 25-Feb-05 CHK P.Groels 25-Feb-05 APVD J.Broeksteeg 25-Feb-05 | TE Connectivity NAME 8 pos. Modular Jack Side Entry fully shielded with insulation plate | |
| DIMENSIONS: mm | TOLERANCES UNLESS OTHERWISE SPECIFIED: | PRODUCT SPEC 108-19064 APPLICATION SPEC 114-19019 | | |
| MATERIAL | FINISH | WEIGHT | SIZE A2 | CAGE CODE 00779 |
| CUSTOMER DRAWING | | SCALE 4:1 | SHEET 2 | OF 2 |