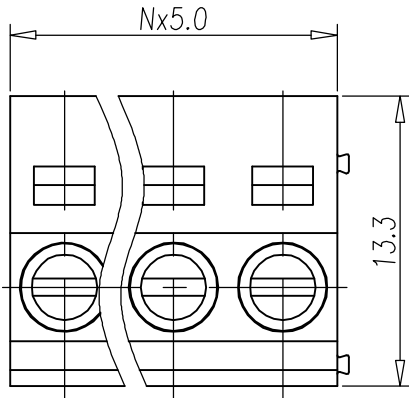
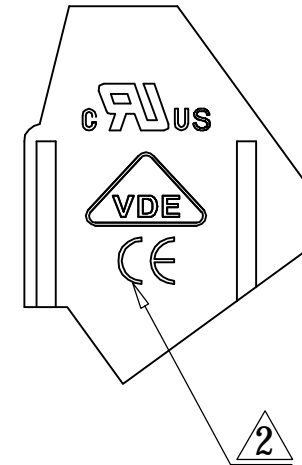
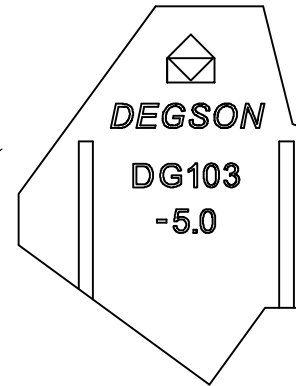
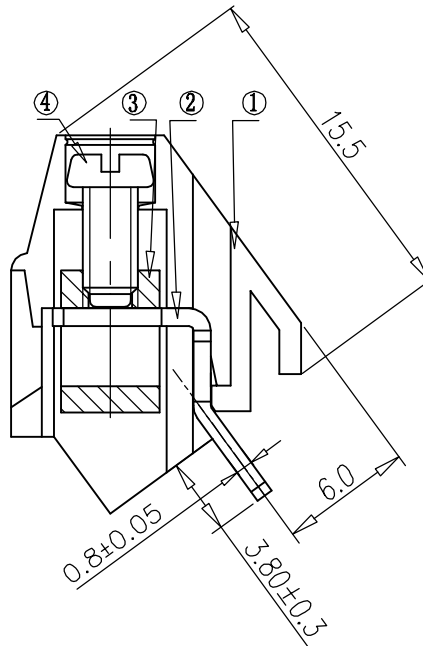
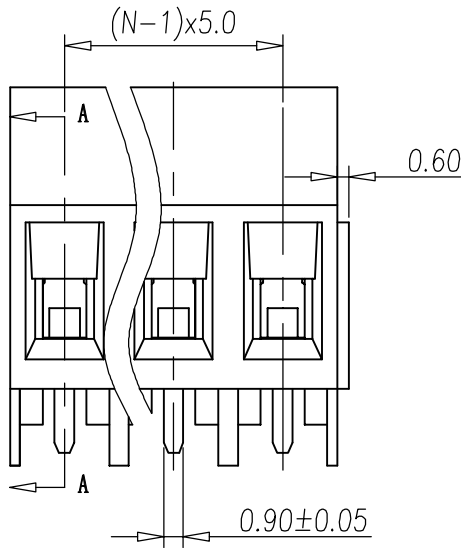


REVISION RECORD				
REV	ECO	DESCRIPTION	DRFT	DATE
△		Drawing Revise	Haoyh	03/20/06
△		增加VDE、CE标志	LJH	11/14/07*
△		增加VDE参数	LJH	01/03/08*



- Notes:
1. Pitch: 5.0mm
 2. Rated voltage/current: UL 300V/10A
VDE 250V/24A
 3. Insulation resistance: 5000MΩ/DC1000V
 4. Withstanding voltage: AC2000V/1Min
 5. Wire range: 24-12AWG 2.5mm²
 6. Temp. Range: -40° C~+105° C
 7. Torque: 4.08kgf.cm
 8. Undimensioned Tolerances:

Pitch range in mm			Nominal dimension range in mm				
to	over	over	to	over	over	over	
6	6 to 10	10 to 24	30	30 to 60	60 to 100	100 to 150	∩ ∇
±0.10	±0.15	±0.25	±0.2	±0.3	±0.5	±0.7	±1.0



SECTION A-A

4	DG128"—"Screw	S000001460 (H)	XX	Steel	Cr ³⁺ Zn
3	DG128 Cage	X000000020 (H)	XX	Brass	Ni plated
2	DG103 Pin	4025B00010 (H)	XX	Brass	SnCe

ITEM	NAME OF PART	NO. OF PART	Q'TY	MATERIAL	NOTES
1	DG103-5.0-Housing	4025A0YXXA (H)	1	PA66	UL94V-0
TOLERANCES EXCEPT AS NOTED MM: .0 ±, .00 ±, .000 ± ANGLES ± 1° THIRD ANGLE PROJECTION		DFTO Haoyh DATE 03/20/06 CHKD DATE MFO DATE APPVL DATE MATERIAL : G.E : FINISH : SCALE : 1:1		宁波高正电子有限公司 DEGSON® DEGSON ELECTRONICS CO., LTD NAME DG103-5.0-XXP-1Y-00A(H) DRAWING NO. DG103-5.0-E07 /PART NO. DO NOT SCALE DRAWING	
			SIZE A3	REV T3	DATE 01/03/08*