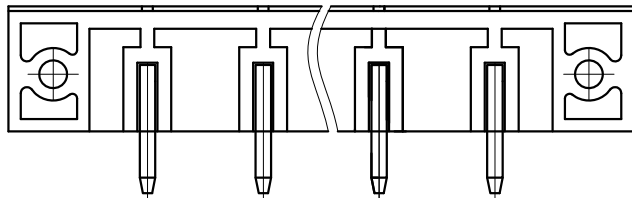


REVISION RECORD				
REV	ECN	DESCRIPTION	DRFT	DATE



VIEW A

NOTES1:

- UL Standard
- 1. Rated voltage/current : 300V / 15A
- 2. Withstanding voltage : AC1600V/1Min.

IEC Standard

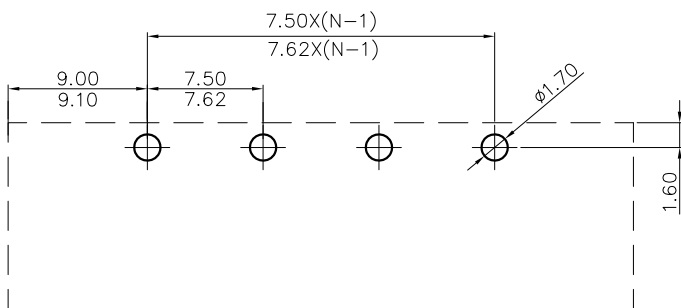
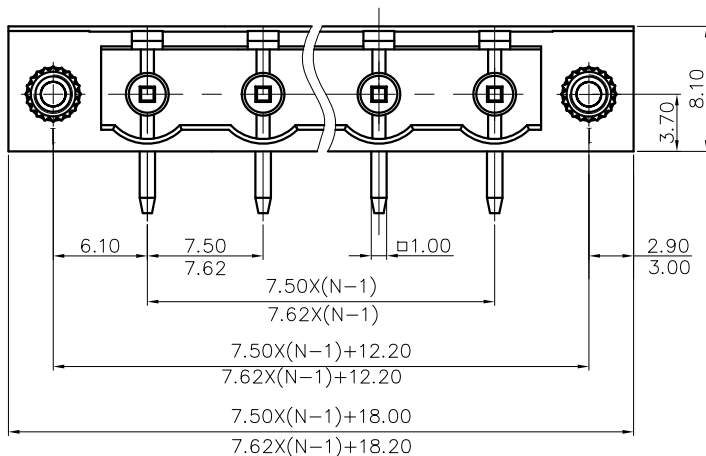
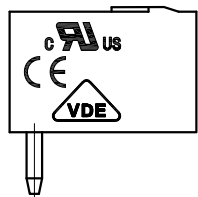
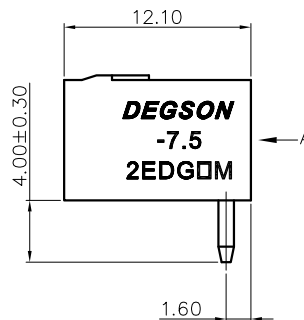
1. Pollution degree	2
Overvoltage category	III
Rate impulse voltage(KV)	4.0KV
Rate voltage(V)	400V
Rate current(A)	20A

NOTES2:

- 1. Dimension shall be interpreted per ASME Y14.5-2009
- 2. Pitch : 7.5/7.62mm, Poles : N=02~12P
- 3. Operating temperature: -40°C~+105°C
- 4. Undimensioned tolerances:

Pitch range in mm	Nominal dimension range in mm				0.1/10
	Over 6 TO 10	Over 10 TO 24	Over 30 TO 60	Over 60 TO 100	
±0.15	±0.20	±0.30	±0.50	±0.70	±2'

5. RoHS Compliance



PCB LAYOUT

2EDGRM - 7.5/7.62 - XXP - 1Y - 00A (H)

(Series No.) (Pitch) (Poles)(Single Pitch) (Color) : 1.(Grey)
 2. (Blue)
 3. (Black)
 4. (Green)
 5. (Orange)
 6. (Red)
 7. (Transparent)
 8. (Yellow)
 9. (White)

DETACHED LISTS	PART NO.:	NINGBO DEGSON ELECTRICAL CO., LTD		
	APPD:	NAME: 2EDGRM-7.5/7.62-XXP-1Y-00A(H)		
	CHKD:	TITLE: CUSTOMER DRAWING		
	DRFT:	DRAWING NO.:		REV: / DO
THIRD ANGLE PROJECTION		MM (INCH)	DO NOT SCALE DRAWING	SCALE: 1:1