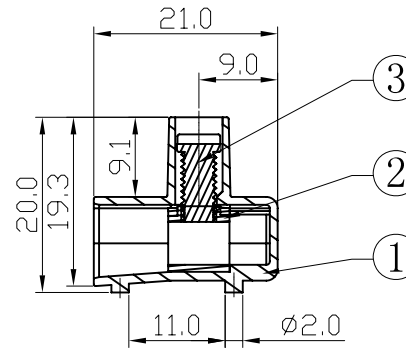
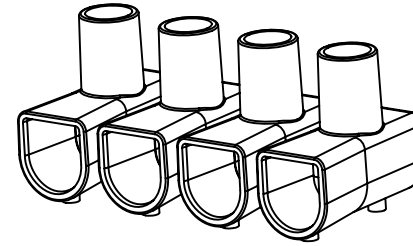
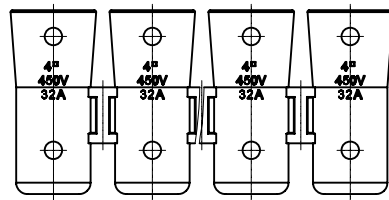
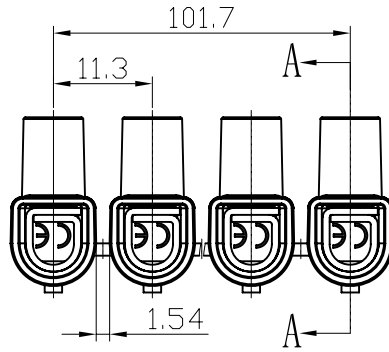
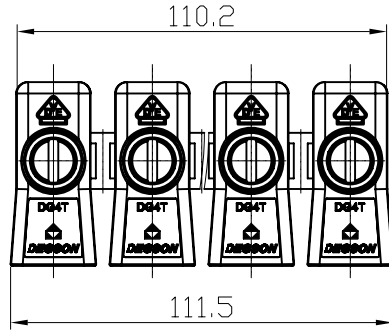


REVISION RECORD					
REV	ECN	DESCRIPTION	DRFT	DATE	



Section A-A

Notes:

1. Pitch:11.3 Ploes:10P
2. Rated voltage/Current:VDE 450V 32A
3. Operation temperatures:-40°C~+85°C
4. Withstanding Voltage:AC2500V/1Min
5. Insulation Resistance:5000MΩ/DC1000V
6. Wire Range:2x4.0mm²
7. Max. Torque Value:M4. 0, 12. 24Kgf. cm
8. Undimensioned Tolerances:

Pitch range in mm		Nominal dimension range in mm						—
to 8	over 8 to 16	over 16 to 24	to 6	over 6 to 30	over 30 to 90	over 90 to 200	over 200 to 480	∩
±0.08	±0.13	±0.18	±0.1	±0.2	±0.3	±0.5	±0.7	∇

3	DG4T"-Screw	S000004150 (H)	10	Steel	Cr ³⁺ Zn
2	DG4T-Current carrier	X000003470 (H)	10	Steel	Cr ³⁺ Zn

ITEM	NAME OF PART	NO. OF PART	Q"TY	MATERIAL	NOTES
1	DG4T-Housing	2042A0710A (H)	1	PC	UL94V-2
TOLERANCES EXCEPT AS NOTED		DFTD Apple		DATE 07/22/09*	
MM (INCH)		CHKD		DATE	
MM		MFD		DATE	
±		APPVL		DATE	
±		MATERIAL :		NAME	
±		G.E :		DG4T-10P-17-100A (H)	
ANGLES ± 1°		FINISH:		DRAWING NO. DG4T-E02	
THIRD ANGLE PROJECTION		SCALE : 1:1		/PART NO.	
DO NOT SCALE DRAWING				SHEET 1 OF 1	

DEGSON 宁波高正电子有限公司
DEGSON ELECTRONICS CO., LTD

NAME
DG4T-10P-17-100A (H)

DRAWING NO. DG4T-E02
/PART NO.
SIZE A4
REV TO 09/10/10'