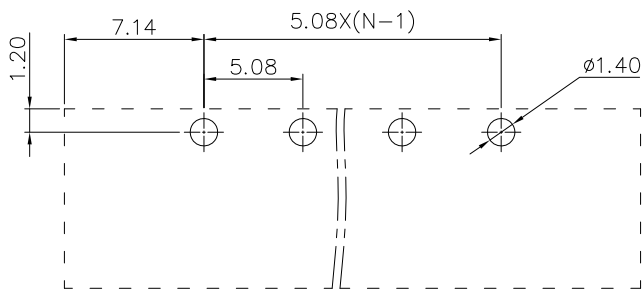
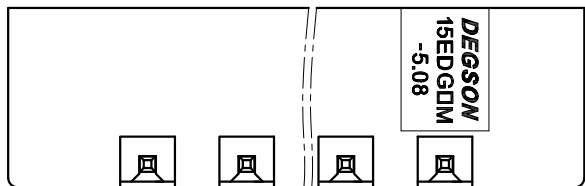
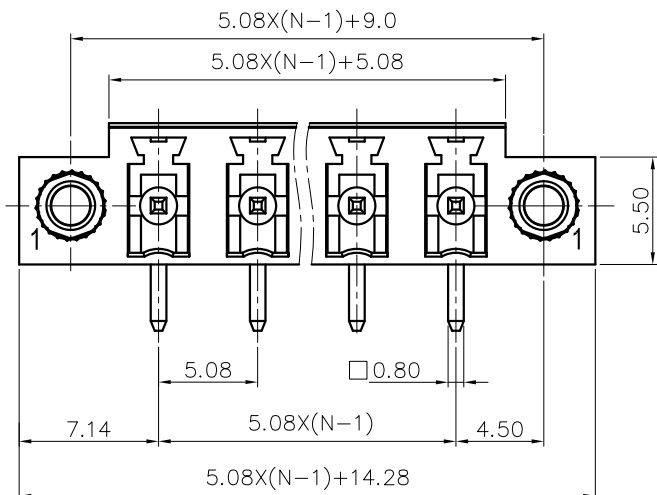
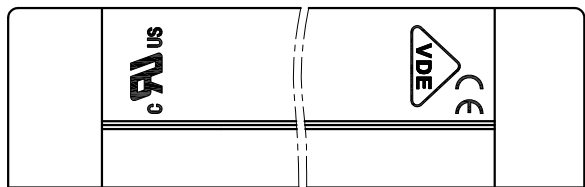
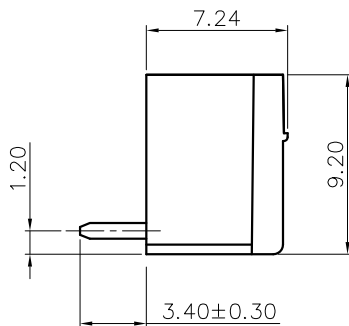


REVISION RECORD				
REV	ECN	DESCRIPTION	DRFT	DATE



PCB LAYOUT



NOTES1:

UL Standard

1. Rated Voltage/Current : 300V / 8A
2. Withstanding Voltage : AC1600V/1Min.

IEC Standard

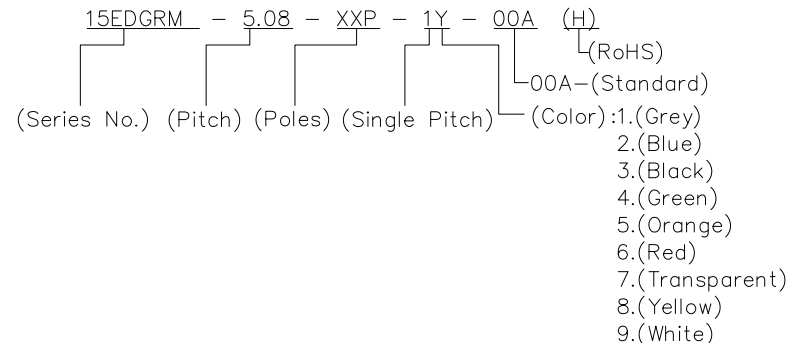
1. Pollution Degree	2
Overvoltage Category	II
Rate Impulse Voltage(KV)	4.0KV
Rate Voltage(V)	450V
Rate Current(A)	7A

NOTES2:

1. Dimension shall be interpreted per ASME Y14.5-2009
2. Pitch : 5.08mm, Poles : N=02~12P
3. Operating temperature: -40°C~+105°C
4. Undimensioned Tolerances:

Pitch Range In mm		Nominal Dimension Range				0.1/10
To	Over	To	Over	To	Over	
6	10	30	60	100	150	±2'
±0.15	±0.20	±0.30	±0.50	±0.70	±1.00	
±0.30	±0.30	±0.30	±0.50	±0.70	±1.00	

5. RoHS Compliance



DETACHED LISTS	PART NO.:	NINGBO DEGSON ELECTRICAL CO., LTD			
	APPD:	NAME: 15EDGRM-5.08-XXP-1Y-00A(H)			
	CHKD:	TITLE: CUSTOMER DRAWING		REV	DO
	DRFT:	DRAWING NO.:		SHEET	1/1
THIRD ANGLE PROJECTION		MM (INCH)	DO NOT SCALE DRAWING	SCALE	1:1