

## Data sheet

Commercial Art.No.: 93.421.0553.1

Connector BST14i2F B1 ZR1 S MGN01

Connector BST14i2, 2 pole, female, spring clamp connection, 50V/3A, color of coding: green, color of housing: black



|                    |               |
|--------------------|---------------|
| Commercial Art.No. | 93.421.0553.1 |
| EAN                | 4015573442542 |
| Order Unit         | 1             |

Certificates / Approvals



## Technical data

### General

|  |                                  |
|--|----------------------------------|
| Rated current                            | 3 A                              |
| Rated voltage                            | 50 V                             |
| Rated impulse voltage                    | 0.8 kV                           |
| strain relief                            | yes                              |
| Pollution degree                         | 2                                |
| Mechanical coding                        | yes                              |
| Lockable                                 | self-locking (unlocking by hand) |
| Color of coding/ contact carrier         | green                            |
| Marking of poles                         | 1+, 2-                           |
| Color of housing inclusive strain relief | black                            |

### Connection Data

|   |                      |
|---|----------------------|
| Cable diameter max.                                 | 6.5 mm               |
| Cable diameter min.                                 | 5.5 mm               |
| Connection cross section solid mm <sup>2</sup> max. | 0.75 mm <sup>2</sup> |
| Connection cross section solid mm <sup>2</sup> min. | 0.25 mm <sup>2</sup> |
| Terminations per pole                               | 1                    |
| sheath strip length                                 | 21 mm                |
| Wire strip length                                   | 9 mm                 |

### Model

|                           |                         |
|---------------------------|-------------------------|
| Model                     | female                  |
| Connection type           | spring clamp connection |
| Degree of protection (IP) | IP20                    |

### Material

|  |           |
|--|-----------|
| Housing material                             | Polyamide |
| halogen free                                 | yes       |
| Contact material                             | CuBe      |
| Fire load                                    | 0.035 kWh |
| Insulation components continuous temperature | 100 °C    |
| Surface finish                               | Gilt      |

#### Dimensions

|        |         |
|--------|---------|
| Length | 47 mm   |
| Width  | 15.2 mm |
| Height | 14.4 mm |

#### Classification

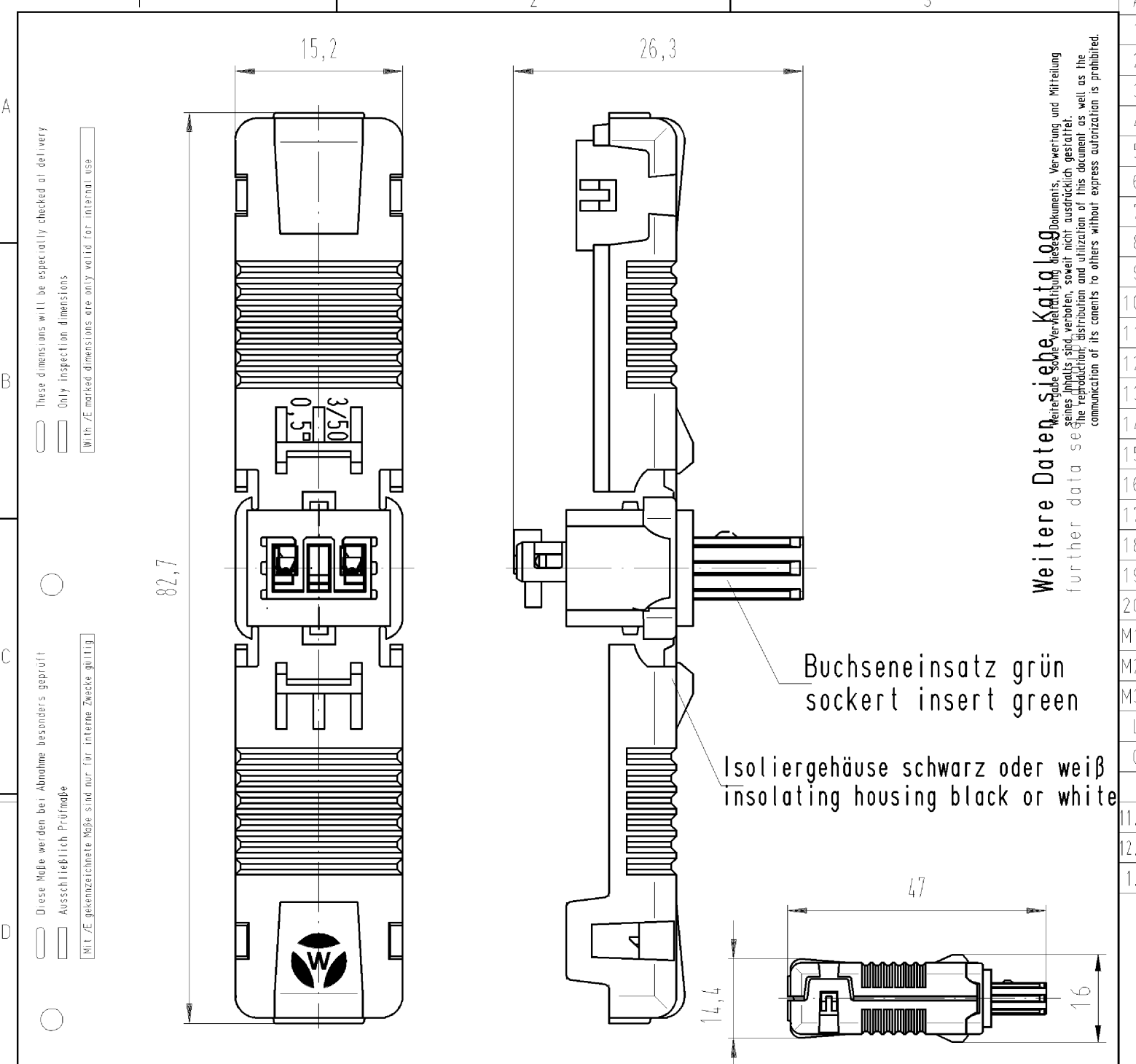
|            |          |
|------------|----------|
| ECLASS 11  |          |
| ECLASS 8.1 | 27440605 |
| ETIM 7.0   | EC003250 |
| ETIM 6.0   | EC002560 |
| ETIM 5.0   | EC002560 |
| ETIM 4.0   | EC002560 |

#### Product compliance

|                              |           |
|------------------------------|-----------|
| ROHS conformity status       | Compliant |
| REACH-SVHC conformity status | Compliant |

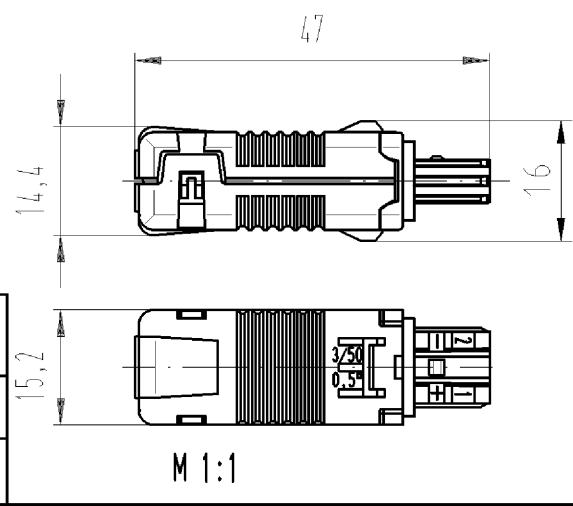
#### Fits with

| Commercial Art.No.: | Article-type description:             | Description:   |
|---------------------|---------------------------------------|--|
| 93.422.0553.1       | Connector BST14I2F S1 ZR1 S MGN01     | Connector BST14i2, 2 pole, male, spring clamp connection, 50V/3A, color of coding: green, color of housing: black  |
| 93.420.0653.0       | Distributor BST14I2V 2P1T GN01        | T-connector BST14i2, 2 pole, 1 input, 3 outputs, 50V/3A, color of coding: green  |
| 93.422.0353.1       | Device connector BST14I2F S1 R S GN01 | Device connectors, snap-in panel mount, BST14i2, 2 pole, male, spring clamp connection, 50V/3A, color of coding: green, color of frame: black  |
| 93.422.0653.1       | Device connector BST14I2L S1 GN01     | Device connectors, PCB mount, BST14i2, 2 pole, horizontal, male, 50V/3A, color of coding: green, color of housing: black   |
| 94.425.1000.7       | Cable assembly BST14I2KFBS 50 10GN01  | BST14i2 connection cable female - male, length 1.0 m, 2 pole, coding KNX, 3 A, coding color green, strain relief color black, green, cross section 0.5 mm <sup>2</sup> , cable type FB-2Y (ST) Y, fire class: Eca    |
| 94.425.1003.7       | Cable assembly BST14I2KFB- 50 10GN01  | BST14i2 extension cable female - free end, length 1.0 m, 2 pole, coding KNX, 3 A, coding color green, strain relief color black, green, cross section 0.5 mm <sup>2</sup> , cable type FB-2Y (ST) Y, fire class: Eca |
| 94.425.1004.7       | Cable assembly BST14I2KF-S 50 10GN01  | BST14i2 extension cable male - free end, length 1.0 m, 2 pole, coding KNX, 3 A, coding color green, strain relief color black, green, cross section 0.5 mm <sup>2</sup> , cable type FB-2Y (ST) Y, fire class: Eca   |



Weitere Daten siehe Katalog  
 Weitere Daten siehe Katalog  
 further data see the reproduction and utilization of this document as well as the communication of its contents to others without express authorization is prohibited.

| Teile-Nr.<br>part-no. | Typ<br>type             | Farbe<br>colour |
|-----------------------|-------------------------|-----------------|
| 93.421.0553.0         | BST1412F B1 ZR1 W MGN01 | weiß / white    |
| 93.421.0553.1         | BST1412F B1 ZR1 S MGN01 | schwarz / black |



Tolerierung nach DIN 7167/Tolerance system acc. to DIN 7167. ja/yes  Stoffverbots- und Deklarationsliste nach UU-TQM-05/03 ist einzuhalten. (This DIN-standard describes the envelope principle. According to the envelope principle the deviations of form and parallelism are limited by the size tolerances). Conformity with Wieland document UU-TQM-05/03 [list of prohibited / declarable hazardous substances] to be declared!

Freitoleranz nach General tolerance CAD - Zeichnung, keine manuellen Änderungen CAD - drawing, no manual modifications allowed 1.Verwendung: First Use: Blatt: 1 von 1 Sheet: 1 of 1

|                   |                               |   |                     |                           |                 |                                 |       |
|-------------------|-------------------------------|---|---------------------|---------------------------|-----------------|---------------------------------|-------|
| /                 |                               | Werkstoff/Material                          | 2006                | Tag/Date                  | Name            | Zeichnung Nr./Drawing No.       | Index |
| /                 |                               |   | gezeichnet<br>drawn | 14.03.                    | Schmitt J.      |                                 |       |
| /                 |                               | Maßstab/Scale                               | geprüft<br>checked  | -                         | -               | 93.421.0553.0 01K               |       |
| /                 |                               |   | 2:1                 | Normgepr.<br>Stand. check | -               |                                 |       |
| /                 |                               | Vol.  | mm <sup>3</sup>     | Offl./Surf.               | mm <sup>2</sup> | Maße in mm/Dimensions are in mm |       |
| /                 |                               | Ersatz für/Replacement for: -               |                     |                           |                 |                                 |       |
| /                 |                               | wieland                                     | Type                | Benennung/Tittle          |                 |                                 |       |
| /                 |                               |   | BUCHSENTE IL        |                           |                 |                                 |       |
| /                 |                               | Federkraftanschluß                          |                     |                           |                 |                                 |       |
| /                 |                               | Female connector / Spring-loaded connection |                     |                           |                 |                                 |       |
| Index             | Datum / Blatt<br>Date / Sheet |   |                     |                           |                 |                                 |       |
| Änderung/Revision |                               |   |                     |                           |                 |                                 |       |

934210553001K\_4\_CADW1042\_Schmitt 2006-03-14T15:26:02 1.000