

## Data sheet

Commercial Art.No.: 93.420.0653.0

Distributor BST14I2V 2P1T GN01

T-connector BST14i2, 2 pole, 1 input, 3 outputs, 50V/3A, color of coding: green



Commercial Art.No.	93.420.0653.0
EAN	4015573695580
Order Unit	1

Certificates / Approvals



## Technical data

### General

Rated current	3 A
Rated voltage	50 V
Rated impulse voltage	0.8 kV
Pollution degree	2
Mechanical coding	yes
Lockable	self-locking (unlocking by hand)
Color of coding/ contact carrier	green
Marking of poles	1+, 2-

### Model

Number of inputs	1
Number of outputs	2
Type of fastening	No
Degree of protection (IP)	IP20
Type of distributor	T-distributor

### Material

Housing material	Polyamide
halogen free	yes
Contact material	CuBe
Fire load	0.035 kWh
Insulation components continuous temperature	100 °C

Surface finish	Gilt
----------------	------

**Dimensions**

Length	37 mm
Width	13 mm
Height	34 mm

**Classification**

ECLASS 11	
ECLASS 8.1	27440603
ETIM 7.0	EC002567
ETIM 6.0	EC002567
ETIM 5.0	EC002567
ETIM 4.0	EC002567

**Product compliance**

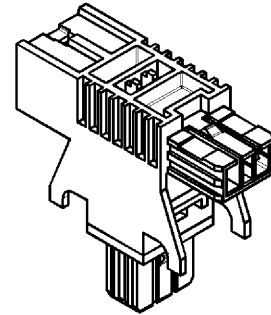
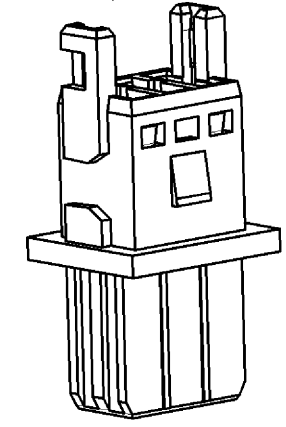
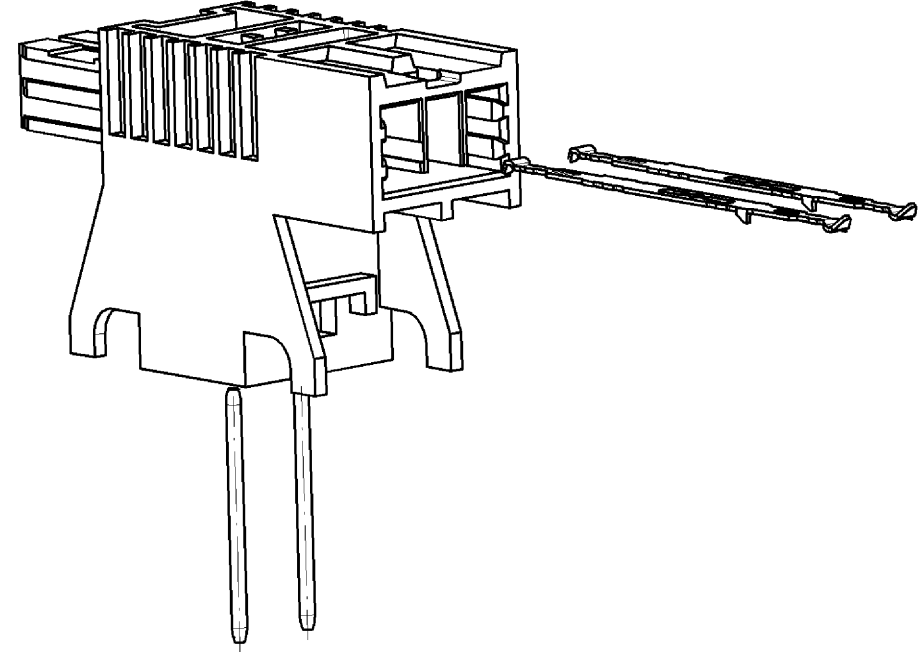
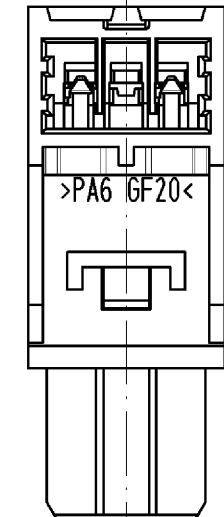
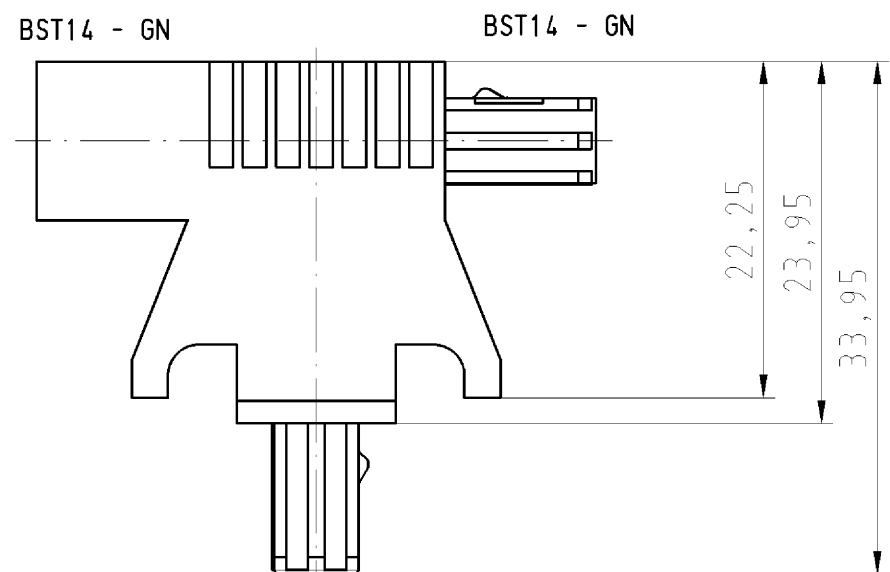
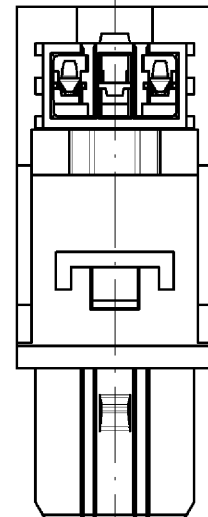
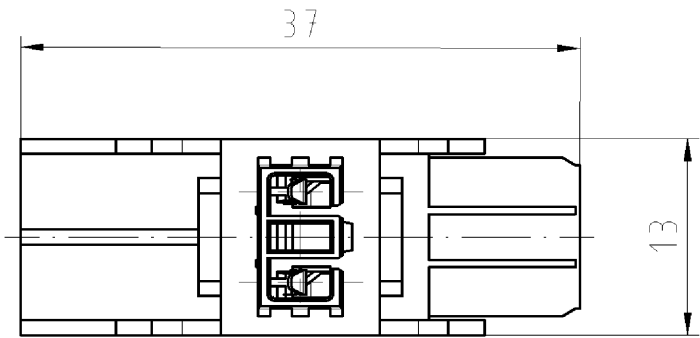
ROHS conformity status	Compliant
REACH-SVHC conformity status	Compliant

**Fits with**

Commercial Art.No.:	Article-type description:	Description:
93.421.0553.1	Connector BST14I2F B1 ZR1 S MGN01	Connector BST14i2, 2 pole, female, spring clamp connection, 50V/3A, color of coding: green, color of housing: black
93.422.0553.1	Connector BST14I2F S1 ZR1 S MGN01	Connector BST14i2, 2 pole, male, spring clamp connection, 50V/3A, color of coding: green, color of housing: black

These dimensions will be especially checked at delivery  
 Only inspection dimensions  
 With /E marked dimensions are only valid for internal use

Diese Maße werden bei Abnahme besonders geprüft  
 Ausschließlich Prüfmaße  
 Mit /E gekennzeichnete Maße sind nur für interne Zwecke gültig



M 1:1

Weitere Daten siehe Katalog  
 further data see catalog

Typ/type: BST14I2V\_2P1T\_\_\_\_\_GN01

Tolerierung nach DIN 7167/Tolerance system acc. to DIN 7167. (This DIN-standard describes the envelope principle. According to the envelope principle the deviations of form and parallelism are limited by the size tolerances).				ja/yes <input checked="" type="checkbox"/> Stoffverbots- und Deklarationsliste nach UU-TQM-05/03 ist einzuhalten. Conformity with Wieland document UU-TQM-05/03 (list of prohibited / declarable hazardous substances) to be declared!			
Freitoleranz nach - General tolerance		CAD - Zeichnung, keine manuellen Änderungen CAD - drawing, no manual modifications allowed		1. Verwendung: - First Use:		Blatt: 1 von 1 Sheet: of 1	
/		Werkstoff/Material		2009 Tag/Date		Name	
/ /				gezeichnet/drawn 30.06.		Treschan	
/ Maßstab/Scale				geprüft/checked			
/ 2:1				Nicht gepr./Stand. check			
/ Vol.		mm <sup>3</sup> Öl./Surf.		mm <sup>3</sup>		Ersatz für/Replacement for: -	
/				Type		Benennung/Title	
/		wieland				VERTEILER	
Index Datum / Blatt Date / Sheet		Elektrische Verbindungen				distributor	
Änderung/Revision							

Weitergabe sowie Vervielfältigung dieses Dokuments, Verwertung und Mitteilung seines Inhalts sind verboten, soweit nicht ausdrücklich gestattet.  
 The reproduction, distribution and utilization of this document as well as the communication of its contents to others without express authorization is prohibited.

934200653001K\_4\_CADW2036\_treschan.2009-06-30T11:28:22 1.000