

Data sheet

Commercial Art.No.: 93.421.0653.1

Device connector BST14I2L B1 GN01

Device connectors, PCB mount, BST14i2, 2 pole, horizontal, female, 50V/3A, color of coding: green, color of housing: black



| | |
|--------------------|---------------|
| Commercial Art.No. | 93.421.0653.1 |
| EAN | 4015573600263 |
| Order Unit | 1 |

Certificates / Approvals



Technical data

General

| | |
|--|----------------------------------|
| Rated current | 3 A |
| Rated voltage | 50 V |
| Pollution degree | 2 |
| Mechanical coding | yes |
| Rated impulse voltage | 0.8 kV |
| Lockable | self-locking (unlocking by hand) |
| Color of coding/ contact carrier | green |
| Marking of poles | 1+, 2- |
| Color of separate adapter (if present) | black |

Connection Data

| | |
|-----------------------|---|
| Terminations per pole | 1 |
|-----------------------|---|

Model

| | |
|---------------------------|----------------------|
| Model | female |
| Connection type | Soldering connection |
| Angle of plug | Square |
| Degree of protection (IP) | IP20 |
| built-in component | Soldering connection |

Material

| | |
|------------------|-----------|
| Housing material | Polyamide |
| halogen free | yes |
| Contact material | CuBe |

| | |
|--|-----------|
| Fire load | 0.014 kWh |
| Insulation components continuous temperature | 100 °C |
| Surface finish | Gilt |

Dimensions

| | |
|--------|----------|
| Length | 26 mm |
| Width | 13 mm |
| Height | 11.75 mm |

Classification

| | |
|------------|----------|
| ECLASS 11 | |
| ECLASS 8.1 | 27440602 |
| ETIM 7.0 | EC002566 |
| ETIM 6.0 | EC002566 |
| ETIM 5.0 | EC002566 |
| ETIM 4.0 | EC002566 |

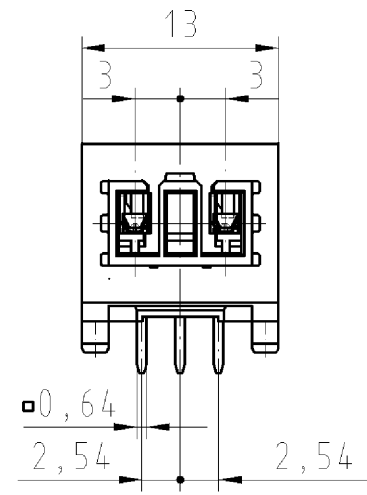
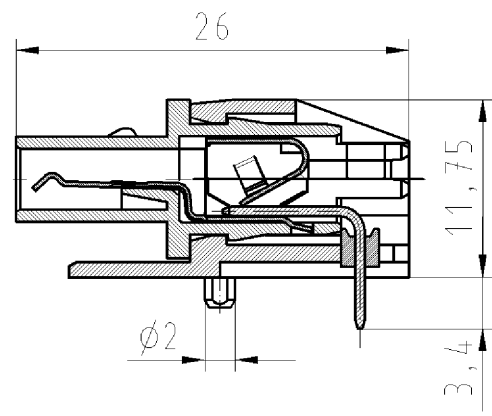
Product compliance

| | |
|------------------------------|-----------|
| ROHS conformity status | Compliant |
| REACH-SVHC conformity status | Compliant |

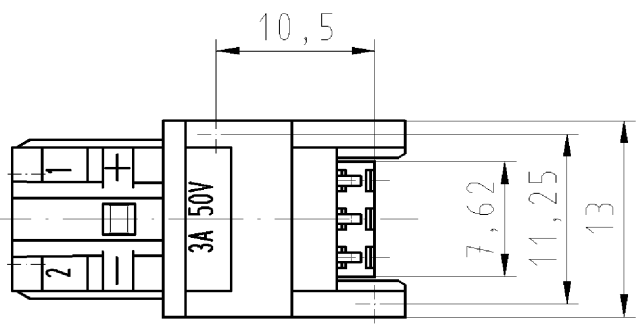
Fits with

| Commercial Art.No.: | Article-type description: | Description: |
|---------------------|-----------------------------------|---|
| 93.422.0553.1 | Connector BST14I2F S1 ZR1 S MGN01 | Connector BST14i2, 2 pole, male, spring clamp connection, 50V/3A, color of coding: green, color of housing: black |

These dimensions will be especially checked at delivery
 Only inspection dimensions
 With /E marked dimensions are only valid for internal use



Diese Maße werden bei Abnahme besonders geprüft
 Ausschließlich Prüfmaße
 Mit /E gekennzeichnete Maße sind nur für interne Zwecke gültig



Weitere Daten siehe Katalog
 further data see catalog

| Teile-Nr. part number | Farbe colour |
|--------------------------|---|
| 93.421.0653.1 | grün/SW ,ähnl. RAL 6021 green/black ,sim. RAL 6021 |
| 93.421.0653.0 | grün/WS ,ähnl. RAL 6021 green/white ,sim. RAL 6021 |

Tolerierung nach DIN 7167/Tolerance system acc. to DIN 7167.
 (This DIN-standard describes the envelope principle. According to the envelope principle the deviations of form and parallelism are limited by the size tolerances).
 ja/yes Stoffverbots- und Deklarationsliste nach UU-TQM-05/03 ist einzuhalten.
 Conformity with Wieland document UU-TQM-05/03 (list of prohibited / declarable hazardous substances) to be declared!

Freitoleranz nach General tolerance CAD - Zeichnung, keine manuellen Änderungen CAD - drawing, no manual modifications allowed 1.Verwendung: - First Use: Blatt: 1 von 1 Sheet: 1 of 1

| | | | | | | | |
|-------------------|-------------------------------|-------------------------------------|----------------------------|--|-------------------------------|---------------------------|-------------------|
| / | | Werkstoff/Material | 2008 | Tag/Date | Name | Zeichnung Nr./Drawing No. | Index |
| / | | | gezeichnet drawn | 01.04. | Schmitt J. | | |
| / | | Maßstab/Scale 2:1 | geprüft checked | - | - | T | 93.421.0653.0 01K |
| / | | | Normgepr. Stand. check | - | - | | |
| / | | Vol. mm ³ | Of1./Surf. mm ² | | Ersatz für/Replacement for: - | | |
| / | | wieland Elektrische Verbindungen | Type | Benennung/Title | | | |
| / | | | Typ | FEMALE CONNECTOR BUCHSENTEIL | | | |
| / | | BST1412LB1 GN01 | | Lötanschluss - gewinkelt (90°) solder connection - horizontal | | | |
| Index | Datum / Blatt Date / Sheet | | | | | | |
| Änderung/Revision | | | | | | | |

Weitergabe sowie Vervielfältigung dieses Dokuments, Verwertung und Mitteilung seines Inhalts sind verboten, soweit nicht ausdrücklich gestattet.
 The reproduction, distribution and utilization of this document as well as the communication of its contents to others without express authorization is prohibited.

934210653001K_4_CADW104Z_Schmitt 2008-04-01T10:23:54 1.000