

## Data sheet

Commercial Art.No.: 93.421.0953.0

Flat cable adapter BST14I2I B1HZB GN01

Flat cable adapter BST14i2, 50V, 3A, for tapping off the KNX signal of the 2 pole flat cable bus/ signals, output with female connector, parallel to cable entry, without screen connection



Commercial Art.No.	93.421.0953.0
EAN	4015573566118
Order Unit	1

## Technical data

### General

Rated current	3 A
Degree of protection (IP)	IP20
Mechanical coding	yes
Marking of poles	1+, 2-
Color of coding/ contact carrier	green
Color housing	Black-transparent
Lockable	yes

### Model

Model	Tapp-off
Number of poles	2
Selection of phase	1+/2-

### Material

Housing material	Polyamide
halogen free	yes
Contact material	CuZn
Fire load	0 kWh
Insulation components continuous temperature	100 °C

### Dimensions

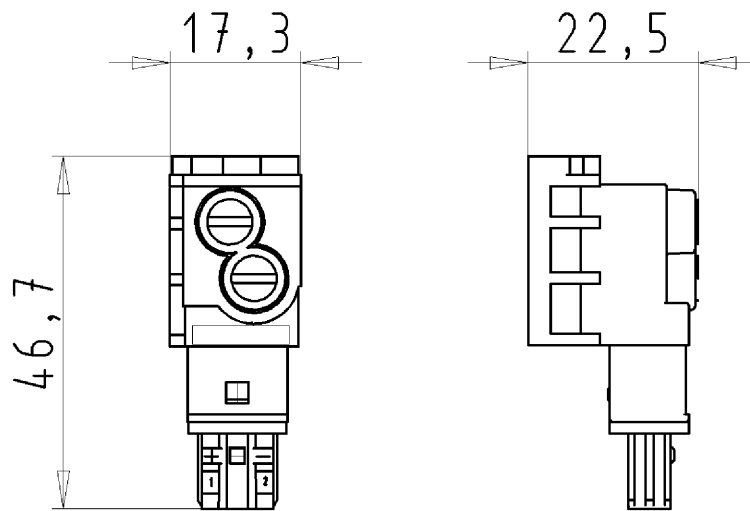
Length	47 mm
Width	17.7 mm
Height	23.5 mm

### Classification

ECLASS 8.1	27440601
ETIM 7.0	EC002567
ETIM 6.0	EC002588
ETIM 5.0	EC002588
ETIM 4.0	EC002588

### Product compliance

ROHS conformity status	Compliant
REACH-SVHC conformity status	Compliant



BUCHSENTE IL

93.421.0953.0 10W

23.04.2008 Weisensel F.

M 1:1