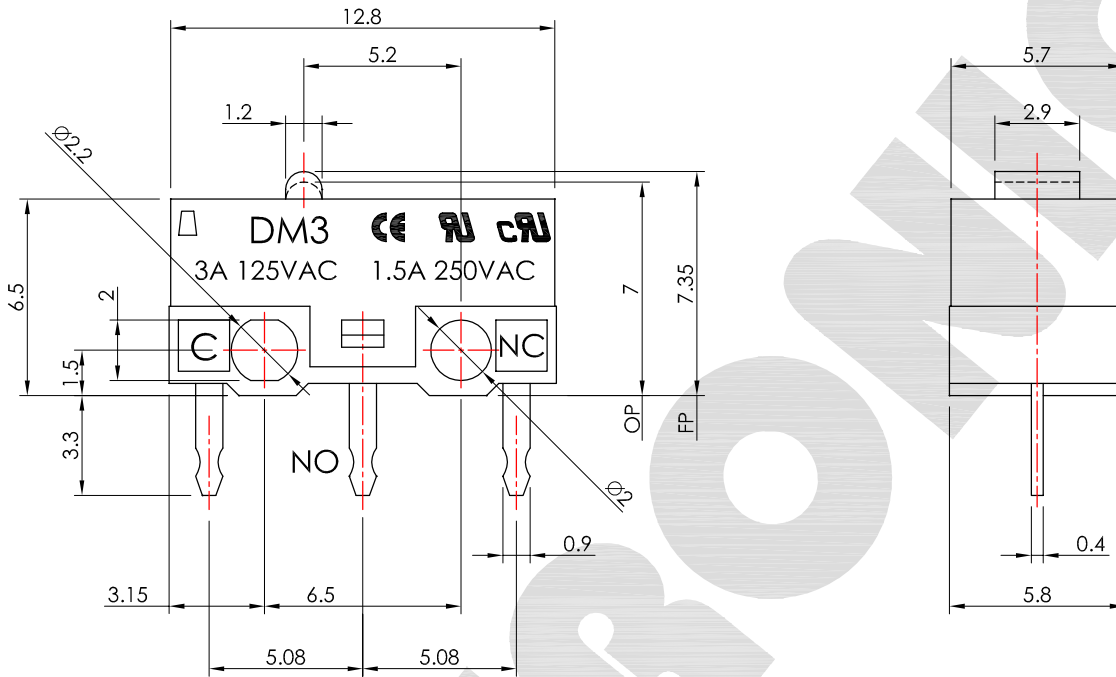
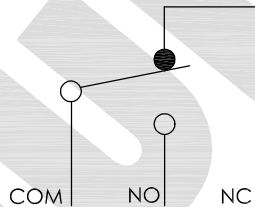


本圖面若與目錄之規格尺寸不符，以本圖面規格尺寸為主。
Below is our main specification if different from catalog.

RoHS compliant



SCHEMATIC



RoHS compliant

DM3-00P-~~XX~~G-G

OPERATING FORCE

60, 90, 110, 130

SPECIFICATION

- Rating:** 3A 125V AC / 1.5A 250V AC.
- Insulation resistance:** $\geq 100M\Omega$ 500V DC (Initial).
- Withstand voltage:** 500V AC for 1 minute (Initial).
- Contact resistance:** $\leq 100m\Omega$ (Initial).
- Mechanical Life:** 1,000,000 Cycles.
- Electrical Life:** 10,000 Cycles.
- Ambient temper used:** $-25^{\circ}C \sim +75^{\circ}C$.
- Ambient humidity used:** $< 85\%RH$.
- Operating force:** $110 \pm 30g$.
- Minimum load:** 100mA 10V DC. (reference only)
- Soldering temperature:** $220^{\circ}C$ Max for 3 Sec.
- Soldering time:** 1 time only.
- Note:** Not washable, don't immerse into epoxy and organic solvent.



V2.1	△		
V2.0	無	新繪製	2007.10.16
版本 VER.	符號 SYMBOL	修改內容 ALTERATION	更新日期 DATE

產品 PRODUCT		Micro Switch		型號 MODEL NO.	DM3-00P-110G-G
比例 SCALE	4 : 1	單位 UNIT	mm	<p>一綺電子企業股份有限公司 總公司：110 台北市信義路四段415號13樓之3 13F-3 NO. 415, SEC. 4, HSIN YI ROAD, TAIPEI, TAIWAN TEL : 886-2-27290229 (Rep.) FAX : 886-2-27582086 URL : http://www.switronic.com.tw E-MAIL : switches@ms36.hinet.net</p>	
公差 TOLERANCE	.X=±0.3mm, .XX=±0.2mm				
製圖 DRAWN BY	核圖 CHECKED BY	主管 APPROVED BY			
Neil Chen	Alex Lin	Margaret Lee			