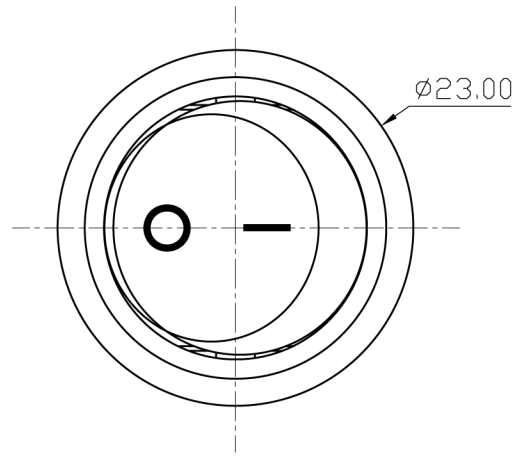
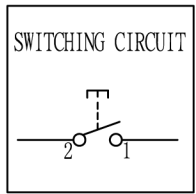


PANEL CUT-OUT		
Z	X	Y
0.70~1.25	19.90~20.30	19.4~19.5
1.25~2.00	20.40~20.70	19.4~19.5
2.00~3.00	20.80~21.10	19.4~19.5



- NOTES:
- Rating:
 CQC 6A 250V AC T105/55
 6(8)A 250VAC
 8A/128A 250VAC
 cUL 10GPA 250V AC
 6GPA 125V AC T105/55
 VDE ENEC 6(4)A 250V AC T85/55
 KC 6(4)A 250V AC T85/55
 - Circuit Diagram: 2P ON-OFF
 - Terminal Strength: $\geq 80N$
 - Electrical life: ≥ 10000 cycles
 - Withstand Voltage: Withstand Voltage: 1500VAC 1min
 Terminals to Button: 3000VAC 1min
 Leakage Current: 1mA
 - Current resistance: $\leq 50m\Omega$ (initial)
 - Insulation resistance: $\geq 100M\Omega$
 - Body Material: NYLON 66 94V-0~2



A4				普通公差:		温州港源电子有限公司 Wenzhou Gangyuan Electronics Co Ltd.							
A3				COMMON TOLERANCE :									
A2				UP TO 5	±0.20	单位	mm	投影		品名	跷板开关	比例	Free
A1				ABOVE 5 TO 30	±0.30	UNIT		PROJECTED		PRODUCT NAME		SCALE	
REV.	DATE	REVISION DESCRIPTION	ISSUE	ABOVE 30	±0.50	绘图	周金勇	核对	梁金勇	型号	RS601C-1010051BB		
				ANGULAR	±5°	DRAWN BY		CHECKED BY		MODEL NO.			
						日期	2015.09.11	核准	周培雷	图号		
						DATE		APPROVAL BY		DWG NO.			