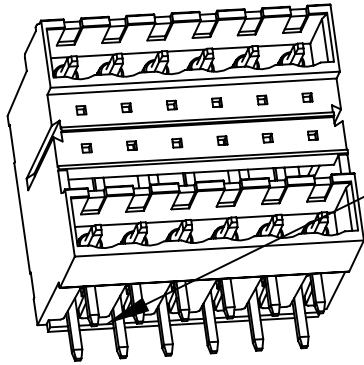
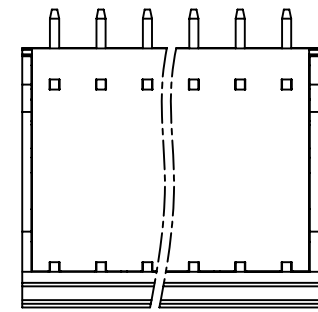
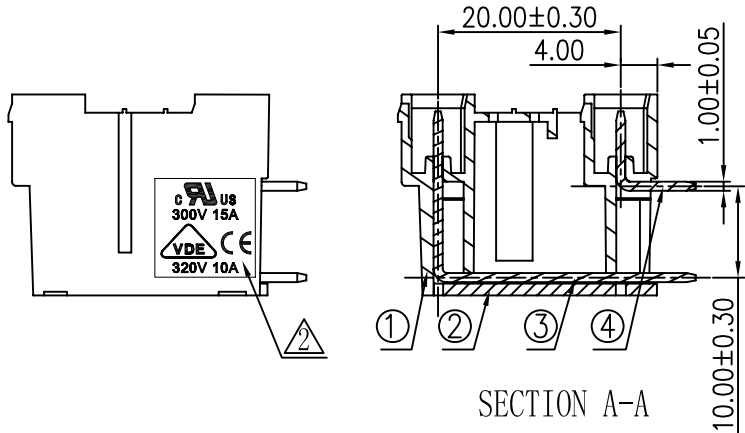
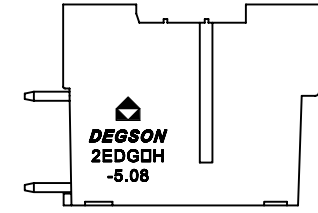
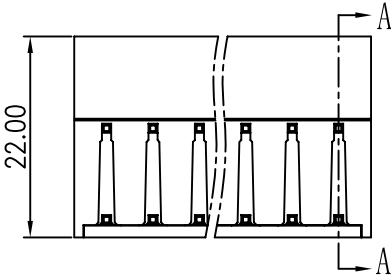
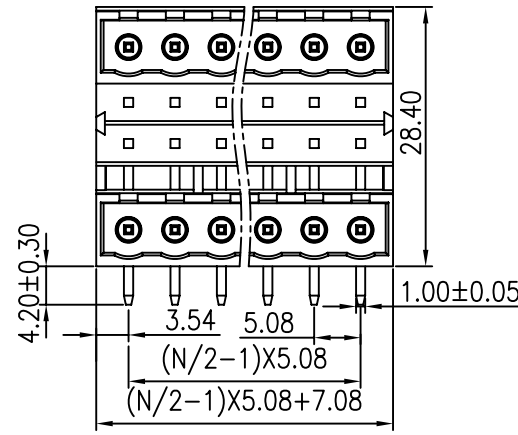


| REVISION RECORD | | | | |
|-----------------|-----|-----------------|-------|----------|
| REV | ECO | DESCRIPTION | DRFT | DATE |
| △ | | 品名、料号增加环保标示“00” | LJH | 12/11/07 |
| △ | | 增加VDE刻字及参数 | Zengy | 12/08/08 |



注：盖与座需超音波焊接



Notes:

1. Pitch:5.08mm ,Poles:4-48P
2. Rated voltage/current:UL 300V/15A
VDE 320V/10A
3. Operation temperatures:-40℃~+105℃
4. Withstanding Voltage:AC2000V/1Min
5. Insulation Resistance:5000MΩ/DC1000V
6. Undimensioned Tolerances:

| Pitch range in mm | | Nominal dimension range in mm | | | | | | |
|-------------------|-------|-------------------------------|------|------|------|------|------|---------|
| to | over | to | over | to | over | to | over | |
| 6 | 10 | 30 | 60 | 100 | 150 | | | — |
| 10 | 24 | 30 | 60 | 100 | 150 | | | ∩ |
| ±0.10 | ±0.15 | ±0.25 | ±0.2 | ±0.3 | ±0.5 | ±0.7 | ±1.0 | 0.05/10 |

| | | | | | |
|---|--------------------------|---------------|------|-------|---------|
| 4 | 2EDGRH Pin header(short) | 1061B00030(H) | XX/2 | Brass | SnCe |
| 3 | 2EDGRH Pin header(long) | 1061B00010(H) | XX/2 | Brass | SnCe |
| 2 | 2EDGRH-5.08 Cover | 1062COYXXA(H) | 1 | PA66 | UL94V-0 |

| | | | | | |
|----------------------------|---------------------|---------------|---------------|--|---------|
| 1 | 2EDGRH-5.08 Housing | 1062AOYXXA(H) | 1 | PA66 | UL94V-0 |
| ITEM | NAME OF PART | NO. OF PART | Q'TY | MATERIAL | NOTES |
| TOLERANCES EXCEPT AS NOTED | | DFTO 2/mm | DATE 06/24/06 | DEGSON 宁波高正电子有限公司 DEGSON ELECTRONICS CO., LTD | |
| MM (INCH) | | CHKD | DATE | NAME | |
| .0 ± | | MFO | DATE | 2EDGRH-5.08-XXP-1Y-00A(H) | |
| .00 ± | | APPVL | DATE | DRAWING NO. 2EDGRH-5.08-E01 | |
| .000 ± | | MATERIAL : | | /PART NO. | |
| ANGLES ± 1° | | G.E : | | SIZE A3 | |
| THIRD ANGLE PROJECTION | | FINISH : | | REV T2 | |
| | | SCALE : | | 12/08/08 | |
| DO NOT SCALE DRAWING | | | SHEET 1 OF 1 | | |