

Tact Switch Series

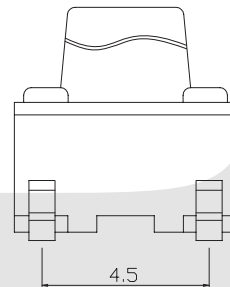
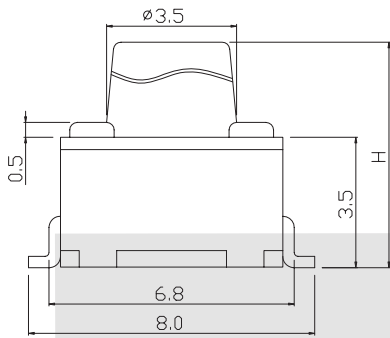
KLS7-TS6604 6x6 Tact Switch Series

ELECTRICAL

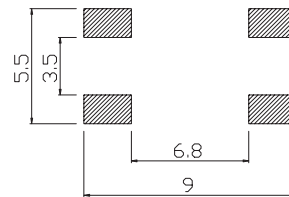
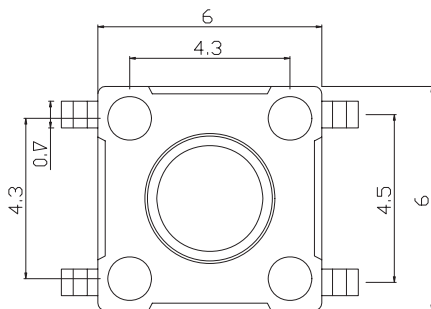
- 1.Rating: 50mA 12VDC
- 2.Contact Resistance : 50mΩ max(initial)
- 3.Insulation Resistance: 100MΩ(minDC 250V)
- 4.Dielectric Strength : AC250V(50/60Hz for 1minute)
- 5.Electrically Life: 100000cycles
- 6.Environment temperature:-20°C~+70°C
- 7.Operating Force: 180/250(±30gf)
- 8.Seal temperature:260°C~ 280°C



Dimension (unit: mm)



| |
|-----|
| H |
| 4.3 |
| 5.0 |
| 6.0 |
| 7.0 |
| 8.0 |



PCB LAYOUT

ORDER INFORMATION

KLS7-TS6604 -4.3- 180- T

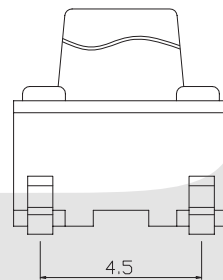
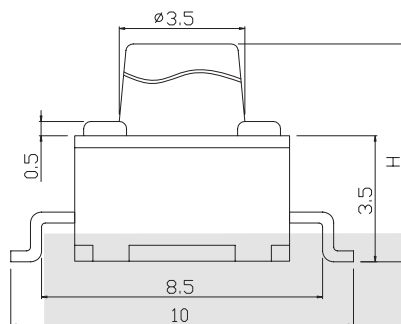
Series No. _____ Packing: B=Bulk T=Tape
 Hight: 4.3mm/5.0mm/6.0mm/
 7.0mm/8.0mm Operating Force :180~250gf

Tact Switch Series

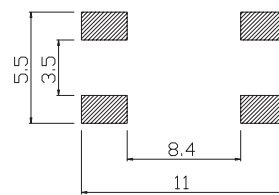
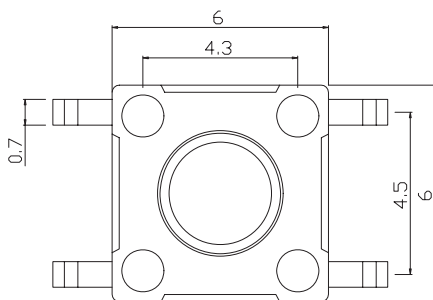
KLS7-TS6604B 6x6 Tact Switch Series

ELECTRICAL

1. Rating: 50mA 12VDC
2. Contact Resistance : 50mΩ max(initial)
3. Insulation Resistance: 100MΩ(minDC 250V)
4. Dielectric Strength : AC250V(50/60Hz for 1minute)
5. Electrically Life: 100000cycles
6. Environment temperature: -20°C~+70°C
7. Operating Force: 180/250(±30gf)
8. Seal temperature: 260°C~ 280°C



| |
|-----|
| H |
| 4.3 |
| 5.0 |
| 6.0 |
| 7.0 |
| 8.0 |



PCB LAYOUT

ORDER INFORMATION

KLS7-TS6604B -4.3- 180- T

Series No. _____ Packing: B=Bulk T=Tape
 High: 4.3mm/5.0mm/6.0mm/
 7.0mm/8.0mm Operating Force : 180~250gf