

| REVISION RECORD |     |             |      |      |
|-----------------|-----|-------------|------|------|
| REV             | ECN | DESCRIPTION | DRFT | DATE |

NOTES1:

UL Standard

- 1.Rated voltage/current : 300V / 15A
- 2.Withstanding voltage : AC1600V/1Min.
- 3.Torque value : M3 , 4.43Lb.in
- 4.Wire range : 28~12AWG

IEC Standard

|                          |       |
|--------------------------|-------|
| 1. Pollution Degree      | 2     |
| Overvoltage Category     | III   |
| Rate Impulse Voltage(KV) | 4.0KV |
| Rate Voltage(V)          | 320V  |
| Rate Current(A)          | 20A   |

- 2.Torque value : M3 , 0.5N·m
- 3.Wire range : 2.5mm<sup>2</sup>

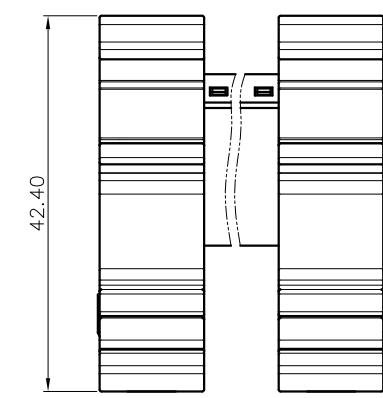
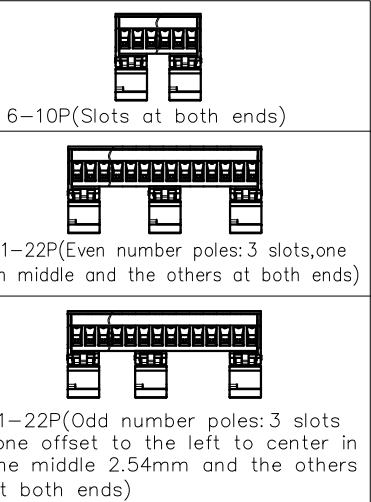
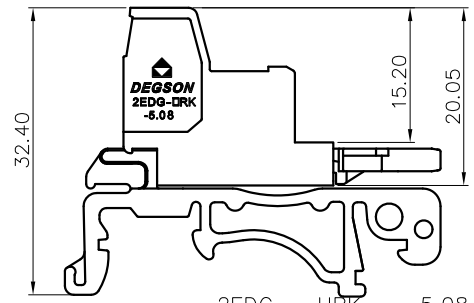
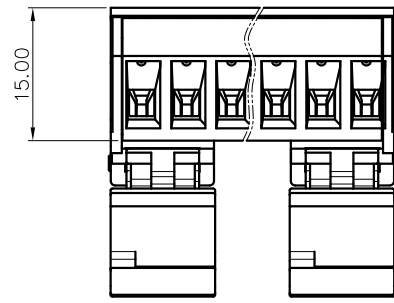
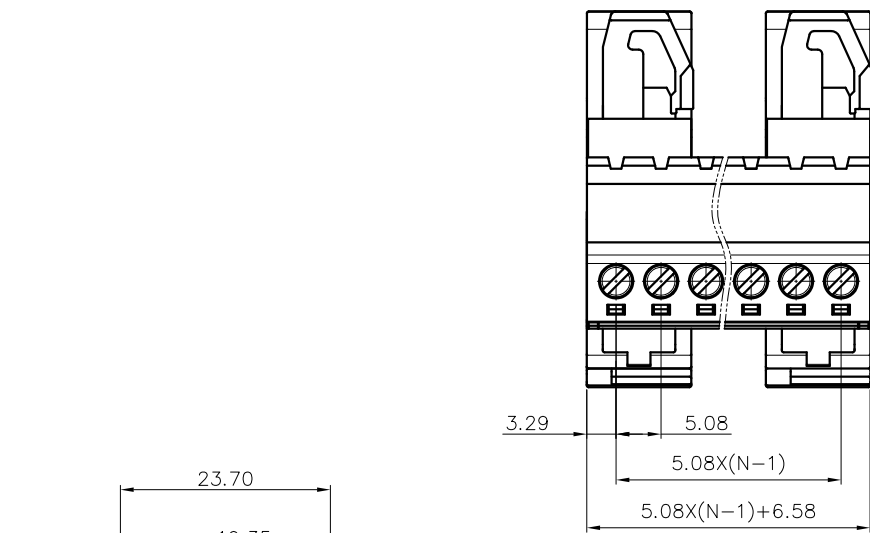
NOTES2:

- 1.Dimension shall be interpreted per ASME Y14.5-2009
- 2.Pitch : 5.08mm, Poles : N=06~24P
- 3.Stripping length : 7~8mm
- 4.Operating temperature: -40°C~+105°C
- 5.Undimensioned tolerances:

| Pitch range in mm |              | Nominal dimension range in mm |       |               |                | 0.1/10 |                 |          |
|-------------------|--------------|-------------------------------|-------|---------------|----------------|--------|-----------------|----------|
| To 6              | Over 6 To 10 | Over 10 To 24                 | To 30 | Over 30 To 60 | Over 60 To 100 |        | Over 100 To 150 | Over 150 |
| ±0.15             | ±0.20        | ±0.30                         | ±0.30 | ±0.50         | ±0.70          | ±1.00  | ±1.30           | ±2*      |

6.RoHS Compliance

H  
G  
F  
E  
D  
C  
B  
A



2EDG - URK - 5.08 - XXP - 1Y - 00A (H)  
 (Series No.) (Pitch) (Poles) (Single Pitch) (Color): 1.(Grey)  
 (RoHS)  
 00A-(Standard)  
 2.(Blue)  
 3.(Black)  
 4.(Green)  
 5.(Orange)  
 6.(Red)  
 7.(Transparent)  
 8.(Yellow)  
 9.(White)

|                        |           |                                   |                      |       |     |
|------------------------|-----------|-----------------------------------|----------------------|-------|-----|
| DETACHED LISTS         | PART NO.: | NINGBO DEGSON ELECTRICAL CO., LTD |                      |       |     |
|                        | APPD:     | NAME: 2EDG-URK-5.08-XXP-1Y-00A(H) |                      |       |     |
|                        | CHKD:     | TITLE: CUSTOMER DRAWING           |                      | REV   | DO  |
|                        | DRFT:     | DRAWING NO.:                      |                      | SHEET | 1/1 |
| THIRD ANGLE PROJECTION |           | MM (INCH)                         | DO NOT SCALE DRAWING | SCALE | 1:1 |

H  
G  
F  
E  
D  
C  
B  
A