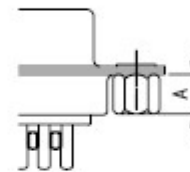
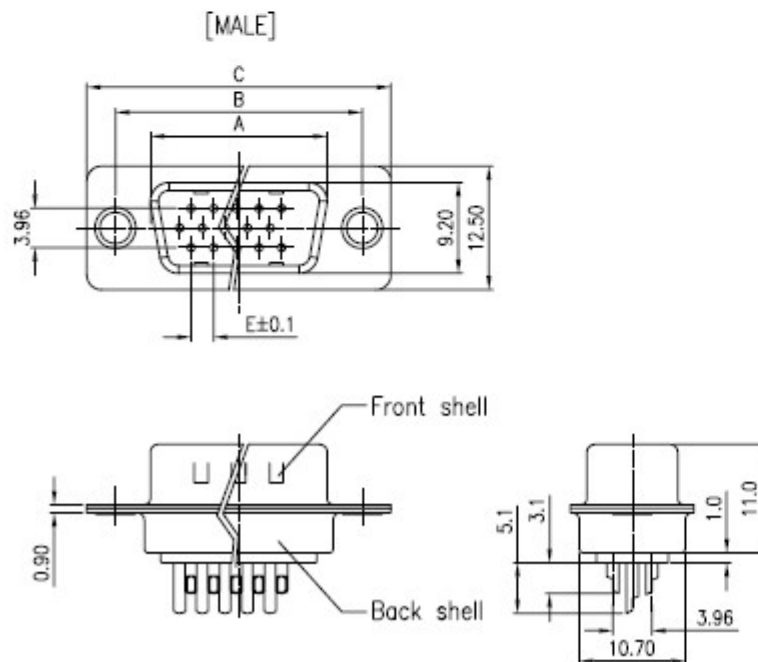


CC TYPE



CS TYPE



NOTES:

1. ELECTRICAL CHARACTERISTICS:
 - 1.1 CONTACT RESISTANCE: 20mΩ Max. INITIAL.
 - 1.2 DIELECTRIC WITHSTANDING VOLTAGE: 500V AC(rms) FOR 1 MINUTE.
 - 1.3 INSULATION RESISTANCE: 1000MΩ Min.
2. ENVIRONMENT CHARACTERISTICS:
 - 3.1 OPERATING TEMPERATURE: 0°C~+85°C.
 - 3.2 STORAGE TEMPERATURE: -20°C~+70°C.

Dimension

Position	A±0.2	B±0.2	C±0.3	D	E
15	17.90	24.99	30.80	16.33	2.29
26	26.50	33.32	39.14	24.66	2.29
44	40.00	47.04	53.04	38.38	2.29
62	56.50	63.50	69.32	54.84	2.14