

| | |
|-----------------------------------|-------------------------------------|
| <h1 style="margin: 0;">通用继电器</h1> | <h1 style="margin: 0;">HJQ-22F</h1> |
|-----------------------------------|-------------------------------------|

- 2 to 3 pole configurations
- Conform to RoHS,ELV directive



28×21.5×35

03001008347

E173485

203664

ORDERING CODE 订购代码

| | | | | | |
|---|----------------------------|---|---|--|---|
| HJQ-22F — 2Z (P) — F — D / 12VDC | | | | | |
| 1 | 2 | 3 | 4 | 5 | 6 |
| 1. Relay Model 继电器型号 | 2. 触点转换形式 | | | 4. With Flange for 38mm pitch hole | |
| | 2Z: Form 2C 3Z: Form 3C | | | 5. With LED | |
| 3. P: PCB Type Nil: B Type | | | | 6. Coil Nominal Voltage 线圈额定电压 5,6,12,24,48,110VDC 6,12,24,48,110,120,220/240VAC | |

COIL DATA 线圈参数 (at 20°C)

| | | | | | | | | |
|---------------------------------|-------------------------------|------|-----|------|-------|---------|---------|-------|
| Nominal Voltage额定电压(VDC) | 5 | 6 | 12 | 24 | 48 | 110/120 | 220/240 | 0.9W |
| Coil Resistance线圈阻值(Ω) | 28 | 40 | 160 | 640 | 2560 | 11000 | | |
| Rated Current额定电流(mA) | 178.5 | 150 | 75 | 37.5 | 18.75 | 10 | | |
| Max Operate Voltage 最大吸合电压(VDC) | 3.75 | 4.5 | 9 | 18 | 36 | 82.5 | | |
| Min Release Voltage最小释放电压(VDC) | 0.5 | 0.6 | 1.2 | 2.4 | 4.8 | 11 | | 1.2VA |
| Nominal Voltage额定电压(VAC) | | 6 | 12 | 24 | 48 | 110/120 | 220/240 | |
| Coil Resistance线圈阻值(Ω) | | 11.5 | 46 | 184 | 735 | 4550 | 14400 | |
| Max Operate Voltage 最大吸合电压(VAC) | | 4.8 | 9.6 | 19.2 | 38.4 | 88 | 176 | |
| Min Release Voltage最小释放电压(VAC) | | 1.2 | 2.4 | 4.8 | 9.6 | 22 | 44 | |
| Max Applicable Voltage最大过载电压 | 70°C时额定电压的130%，23°C时额定电压的170% | | | | | | | |

注: 5-24VDC/6-48VAC 线圈阻值公差为±10%，48-110VDC/110-240VAC 线圈阻值公差为±15%。

CONTACT DATA 触点参数

| | |
|-----------------------------|--|
| Contact Form触点形式 | 2Z/3Z |
| Contact Material触点材料 | Silver Alloy |
| Load负载 | Resistive load(COS Φ=1) |
| Contact Ratings触点负载 | 7A 240VAC 7A 30VDC |
| Minimum load 最小负载 | 100mA 5VDC |
| Max Switching Voltage最大转换电压 | 240VAC/30VDC |
| Max Switching Current最大转换电流 | 7A |
| Max Switching Power 最大转换功率 | 1680VA/210W |
| Contact Resistance接触电阻 | 100m Ω Max at 6VDC 1A |
| Life Expectancy寿命 | Electrical 电气寿命: 100,000 Operations(at30Operations/minute) |
| | Mechanical机械寿命: 10,000,000 Operations(at3000Operations/minute) |

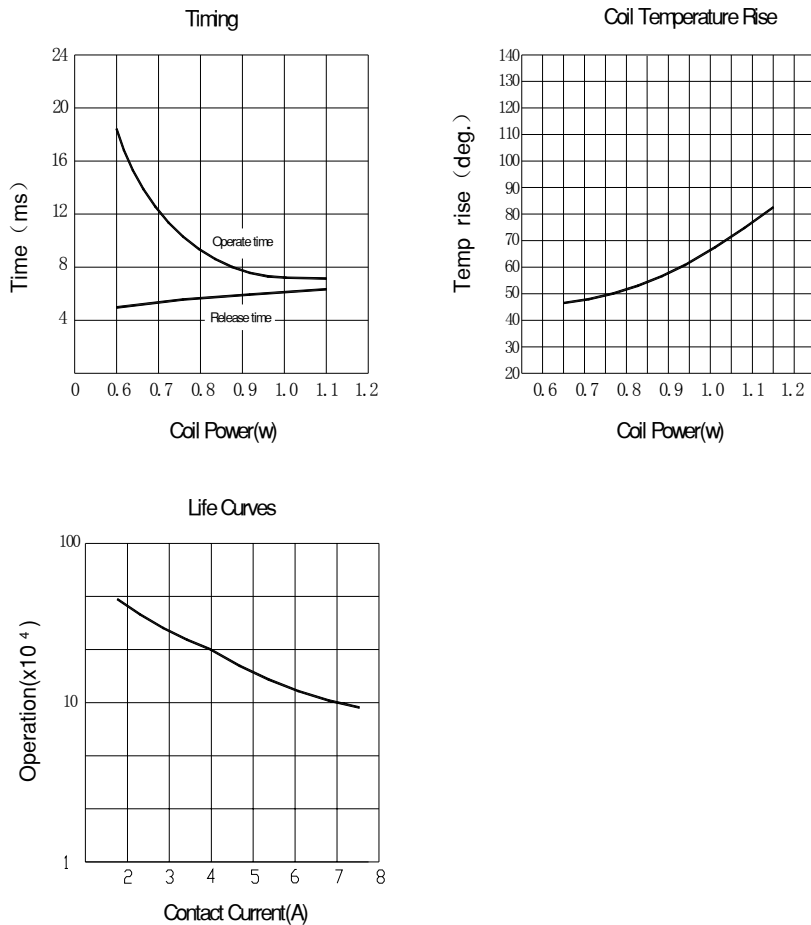
■ CHARACTERISTICS DATA 性能参数

| | |
|--|--------------------------------------|
| Insulation Resistance绝缘阻值 | 100M Ω Min at 500VDC |
| Dielectric Strength Between Open Contacts触点间耐压 | 1000VAC(for one minute) |
| Between Contacts and coil触点与线圈间耐压 | 1500VAC(for one minute) |
| Operate Time吸合时间 | 25ms |
| Release Time释放时间 | 25ms |
| Temperature Range环境温度 | -40 $^{\circ}$ C to +70 $^{\circ}$ C |
| Shock Resistance冲击 | Operating Extremes动作极限: 20G |
| | Damage Limits破坏极限: 100G |
| Vibration Resistance振动 | 10-55Hz, 1.5mm |
| Max. switching frequency最大转换频率 | Mechanical: 18,000operations/hr |
| | Electrical: 1,800operations/hr |
| Humidity湿度 | 40-85% |
| Weight重量 | Approx 35g |
| Safety Standard安全标准 | UL cUL CQC CSA |

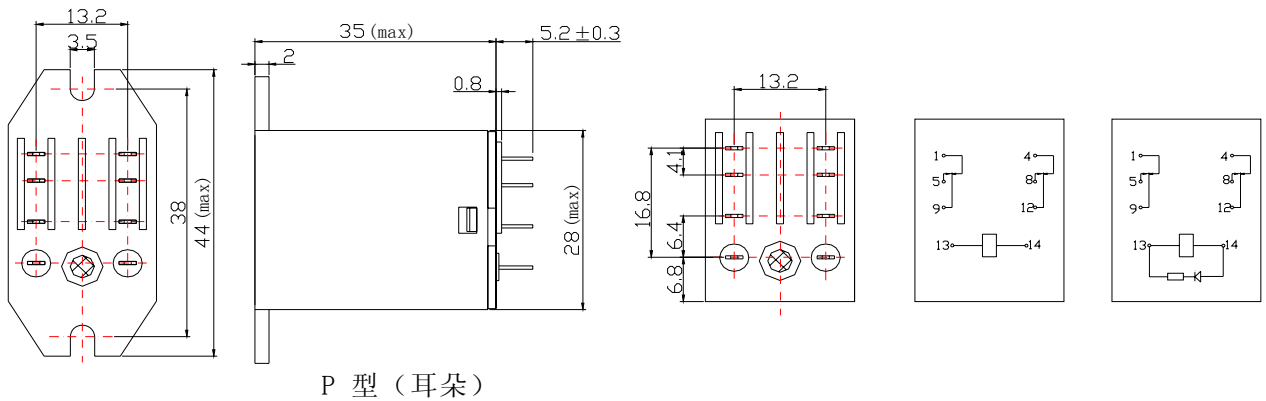
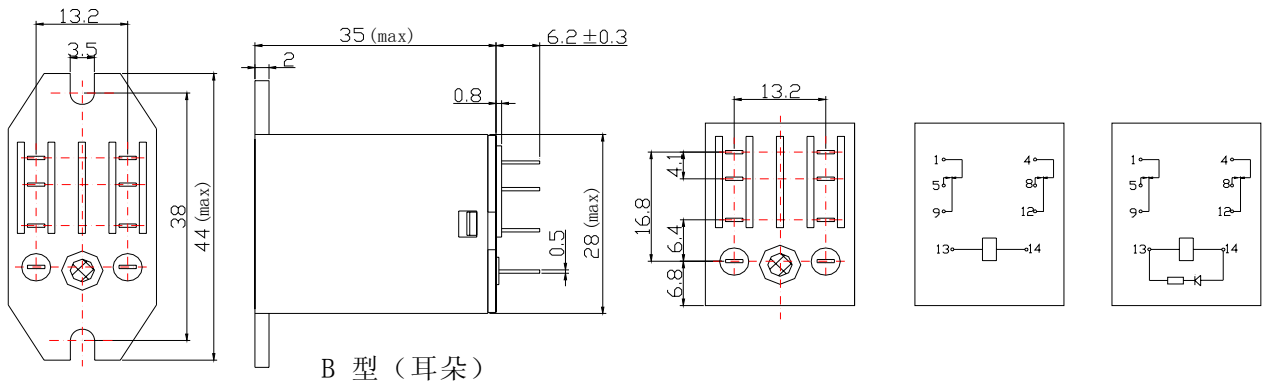
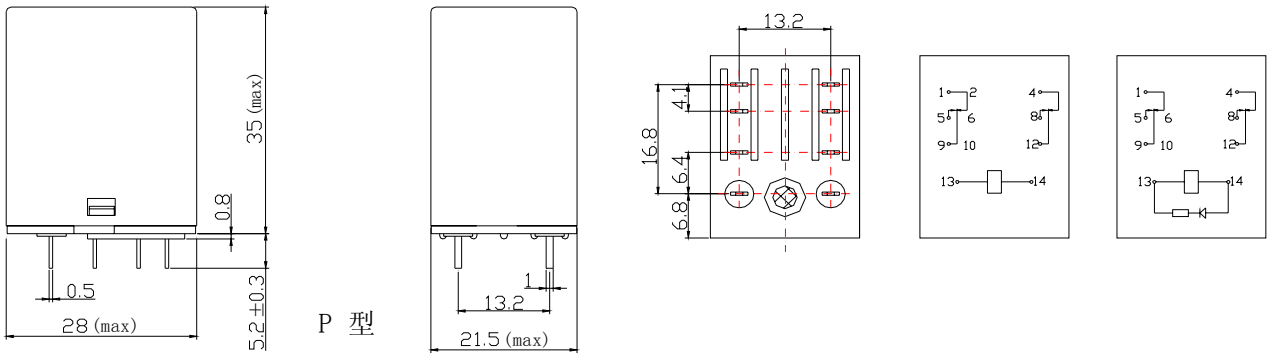
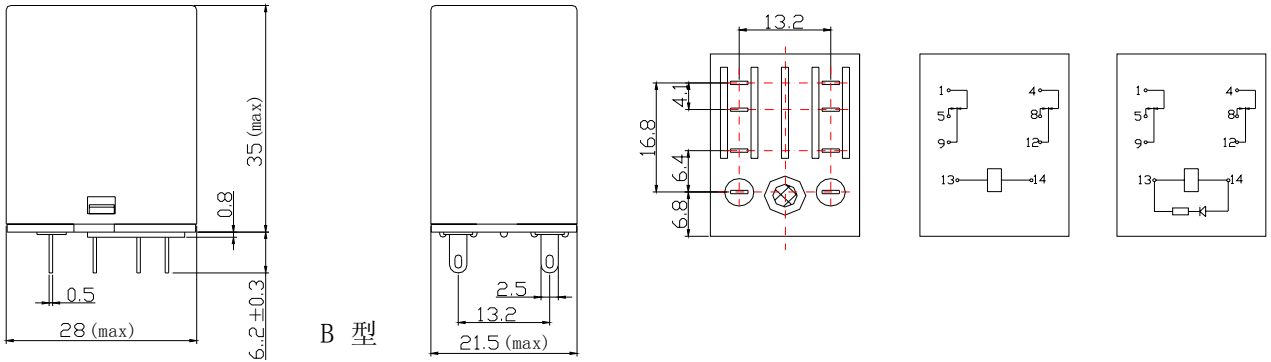
■ APPROVED STANDARDS 安全标准

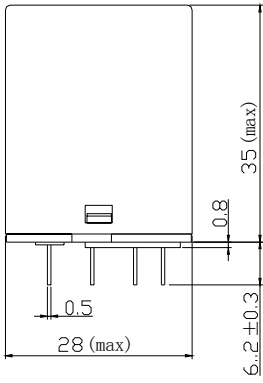
| Model(型号) | Coiling rating (线圈电压) | Safety Standard (安全标准) | Contact rating (触点负载) |
|-----------|-----------------------|------------------------|-----------------------|
| HJQ-22F | 12 to 110VDC | UL/cUL | 7A 240VAC |
| | 24 to 240VAC | | 7A 30VDC |
| | 5 to 110VDC | CQC | 5A 240VAC |
| | 24 to 240VAC | | 5A 28VDC |
| | 12 to 110VDC | CSA | 5A 240VAC |
| | 120 to 240VAC | | 5A 28VDC |

■ ENGINEERING DATA 设计参数

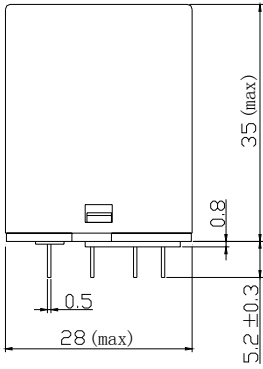
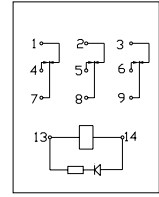
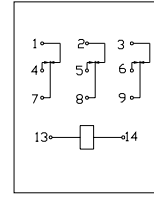
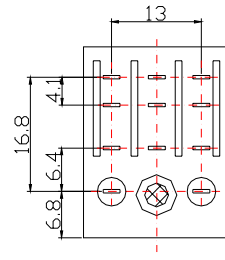
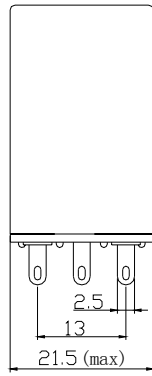


OVERALL AND MOUNTING DIMENSIONS 安装图

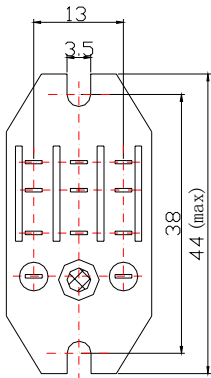
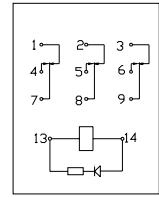
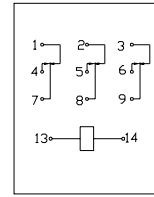
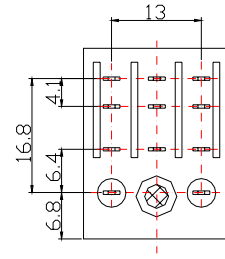
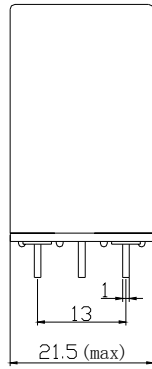




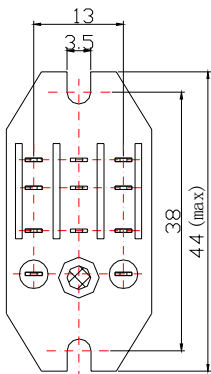
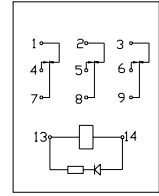
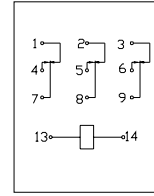
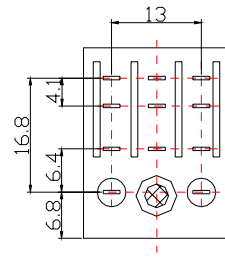
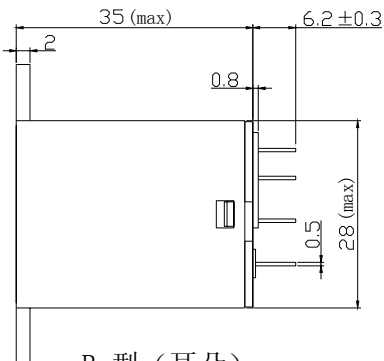
B 型



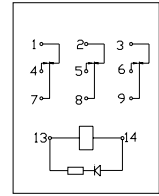
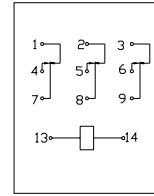
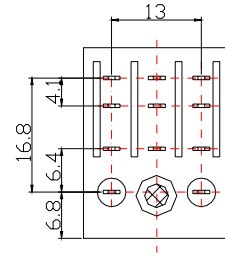
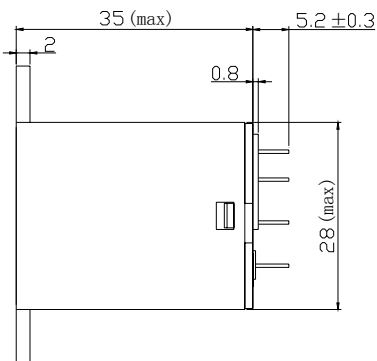
P 型



B 型 (耳朵)



P 型 (耳朵)



声明:

本产品规格书仅供客户使用时参考, 如有更改, 恕不另行通知。