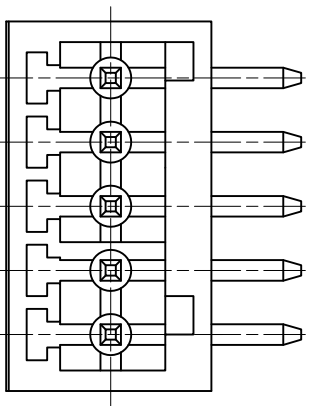


- NOTES:
1. Rating: 150V 5A;
 2. Insulation Withstands Voltage: AC1300V/MIN
 3. Insulation Resistance: 500MΩ or more at DC500V
 4. Using Temperature Range: -40°C~+105°C
 5. "★" is the important dimension.



Total Pitch Tolerances												Nominal dimension range																																							
in mm												in mm																																							
over	0	to	30	over	53	to	70	over	90	to	115	over	150	to	250	over	350	to	500	over	0	to	30	over	53	to	70	over	90	to	115	over	150	to	200	over	250	to	320	over	0	to	10	over	0	to	100	over	100	to	150
±0.18	?	2.25		±0.30		±0.35		±0.40		?	4.5	±0.60		±0.70		?	8.5	±0.20		±0.25		±0.30		±0.35		±0.44		±0.55		±0.70		±0.80		±0.90	0.2	0.3	0.3	0.2	0.3	0.3	0.5										

ITEM	NAME OF PART	NO. OF PART	Q'TY	MATERIAL	NOTE
DWG	ZX	DATE	2020.12.11	SIZE	A4
CHK		DATE		SCALE	2:1
APP.		DATE		NAME	KSE-15EDGRC-2.50-02P
			DWGNO.		