

**YS10 USB SERIES**



Input: 220-240VAC 50/60Hz  
 Output Voltage: 5V DC  
 Rated Power: 10.5W max

**Features**

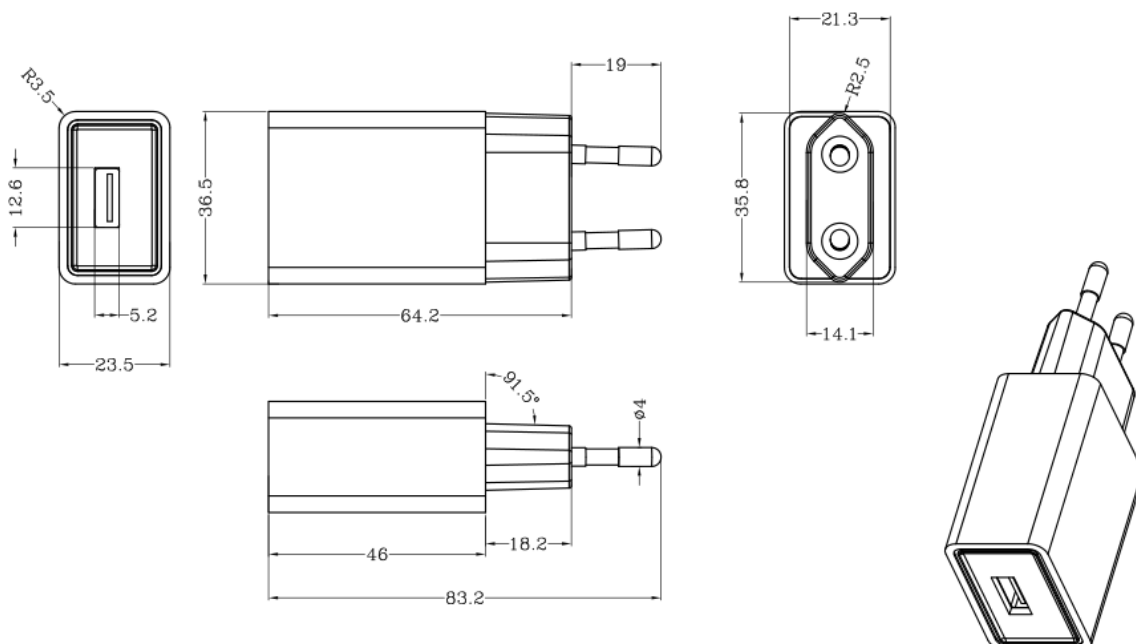
Univeral AC input/ Full range  
 Energy efficiency level VI  
 Leakage Current: < 0.25mA  
 Extremely low leakage current  
 Protection:Over load/Over voltage/Short circuit  
 Withstand voltage : 3KV  
 Life Warranty: 3 years

**Application**

Digital equipment  
 Electric curtains  
 Kitchen appliances  
 Household appliances



**■ Dimensions and Installation**



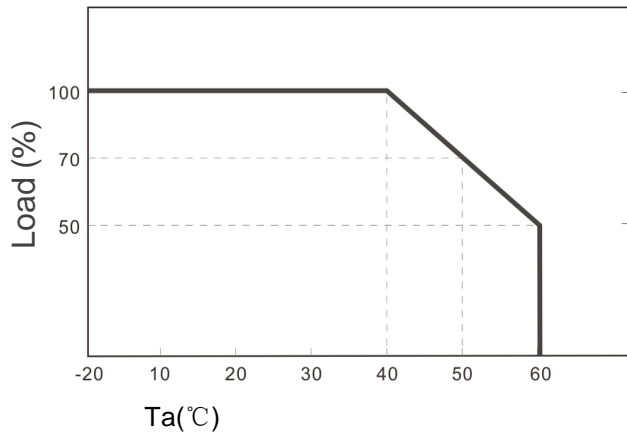
YS10 USB

**YS10 USB SERIES**

MODEL DETAIL SPEC.		YS10-0502100 USB
INPUT	Input Voltage range:	220-240VAC
	Input Frequency:	50/60Hz
	Inrush Current:	65A/ 230VAC
	AC Current:	0.5A/ 230VAC
	Leakage Current:	< 0.25mA/ 240VAC
	Efficiency:	80%
OUTPUT	DC Voltage:	5V
	Rated Current:	2.1A
	Rated Power:	10.5W
	Voltage Tolerance:	±5.0%
	Ripple and Noise:	75mVp-p
	Line Regulation:	±3%
	Load Regulation:	±5%
	Setup, Rise, Hold Up time:	1000ms, 30ms/25ms 230VAC at full load
ENVIRONMENTAL	Operating Temperature:	-20 ~ +60 (Refer to "Derating Curve")
	Storage Temp:	-40°C ~ 85°C
	Storage Humidity:	10 ~ 95% RH
	Working Humidity:	20 ~ 95% RH non-condensing
PROTECTION	Over Load:	Above 110-180% rated output power
		Protection type: Hiccup mode, recovers automatically after fault condition is removed
	Over Voltage:	>120% rated output power
		Protection type: Shut down o/p voltage, re-power on to recover
Short Circuit :	Shut down o/p voltage, re-power on to recover	
SAFETY & EMC	Safety Regulations:	EN62368-1
	Withstand Voltage:	I/P-O/P:3KVAC I/P-FG:2KVAC O/P-FG:0.5KVAC
	Isolation Resistance:	I/P-O/P, I/P-FG, O/P-FG:100M Ohms / 500VDC / 25°C/ 70% RH
	EMC Emission:	Compliance to EN55032 (CISPR32), Class B, EN61000-3-2,-3,
	EMC Immunity:	EN61000-4-2,3,4,5,6,8,11
OTHER	MTBF:	100Khrs min. MIL-HDBK-217F(25°C)
	Size:	59*40*18mm
	Weight:	50g / pcs
	Packaging:	100PCS/CTN

**YS10 USB SERIES**

**Deduction curve and temperature**



**Minus output and input voltage curves**

