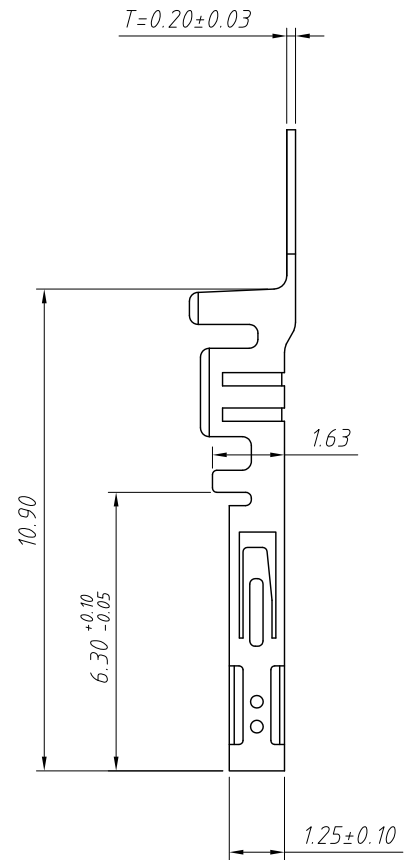
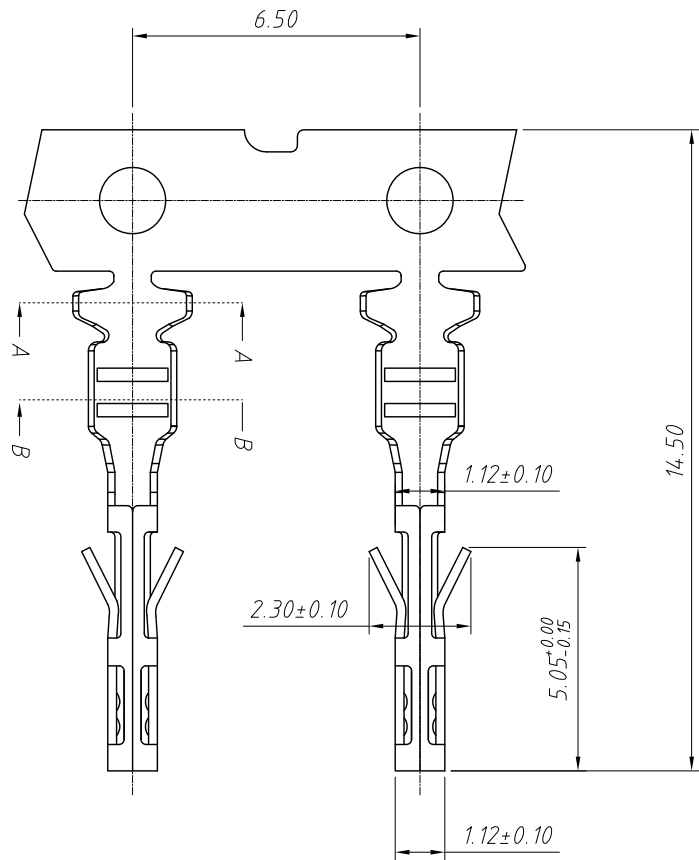
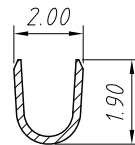
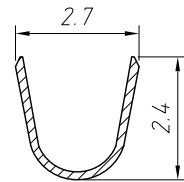
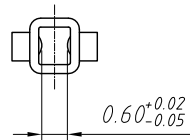


1 RoHS Compliance



Material:
 Terminal: Phosphor Bronze
 Plating: Tin plated Over nickel
 Applicable wires: AWG #20 ~ #24
 Insulation O.D: 1.30 ~ 1.80mm
 Qty/reel: 10000PCS

Electrical Characteristics:
 Current rating: 5.0A AC,DC
 Voltage rating: 250V AC,DC
 Temperature range: -25°C ~ +85°C
 Insulation resistance: 1000MΩ/Min.
 Withstanding voltage: 1500V AC/minute
 Contact resistance: 10mΩ/Max.



SECTION A-A

SECTION B-B

Order Information:
 L-KLS1-XM1-3.00-FT

L: RoHS
 Pitch: 3.00mm
 Type: MH / FH / FHN-Hosing
 MT / FT-Terminal

ANGLE TOLERANCE	PROJECTION	Description:	3.0mm Pitch Micro Fit 3.0 43020 43025	
±3°		43045 43030 43031 43645 43640	Wire to Board Connector	
GENERAL TOLERANCE	UNITS	mm	KLS P/N: L-KLS1-XM1-3.00-FT	
x.x ±0.30	SHEET SIZE	A4	NingBo KLS ELECTRONIC CO.,L TD.	
x.xx ±0.20	Draw:	Daniel		2020-11-11
x.xxx ±0.10	Check:	Daniel		2020-11-11