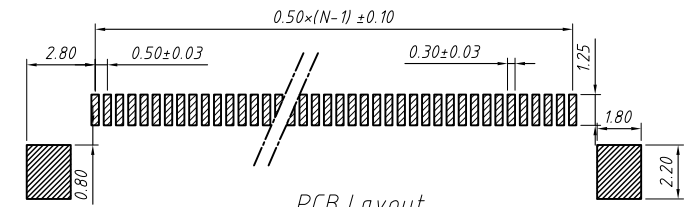
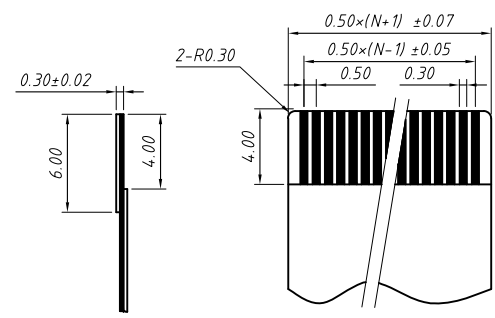
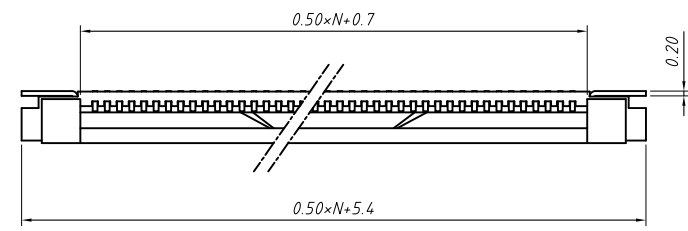
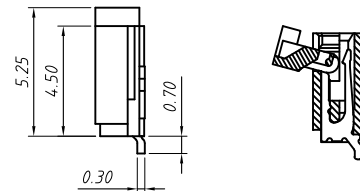
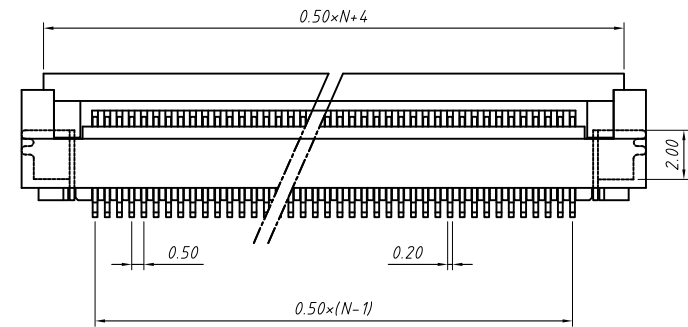


1 2 3 4 5 6 7 8

A
B
C
D
E
F
G
H



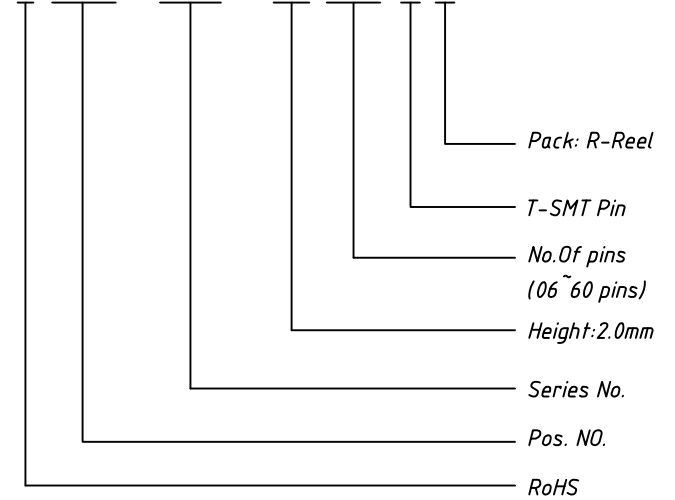
Material
 Housing: LCP, UL94V-0
 Lock: LCP, UL94V-0
 Plug spring: Phosphor bronze, Gold/Tin
 Solder: Brass, Gold/Tin

Electrical
 Voltage rating: 50 V
 Current rating: 0.4 A
 Withstanding Voltage: 200 V
 Insulation resistance: 500 MΩ
 Contact resistance: 20 mΩ. Max.

Mechanical
 Temp. Range: -20 °C ~ +85 °C

Order Information

L-KLS1- 242G - 2.0- XX -T-R



Applicable FPC

GENERAL TOLERANCE		ANGLE TOLERANCE		PROJECTION		Description:	
X.	±0.15	X.	±5°	UNITS	mm	CONN FFC 0.50mm, SMD, Horizontal, Lower Contact , with ZIF L-KLS1-242G-2.0-XX-T-R	
.X	±0.03	.X	±3°	SHEET SIZE	A4		
.XX	±0.05	.XX	±2°	KLS P/N:			

Draw by: Date 2018-03-10
 Check by: Date 2018-03-10
 SCALE SHEET OF

KLS NingBo KLS ELECTRONIC CO.,L TD.

1 2 3 4 5 6 7 8