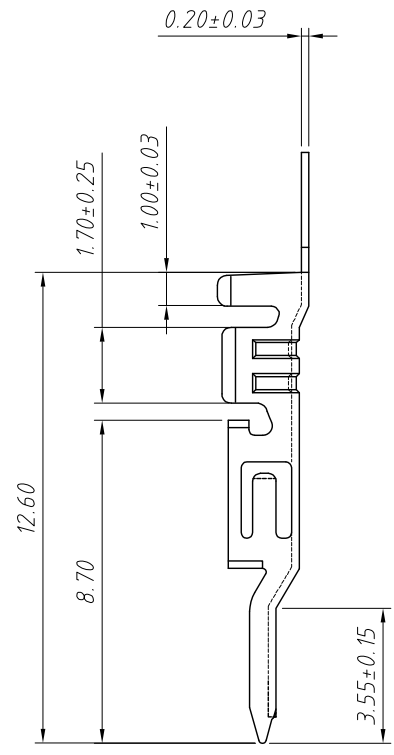
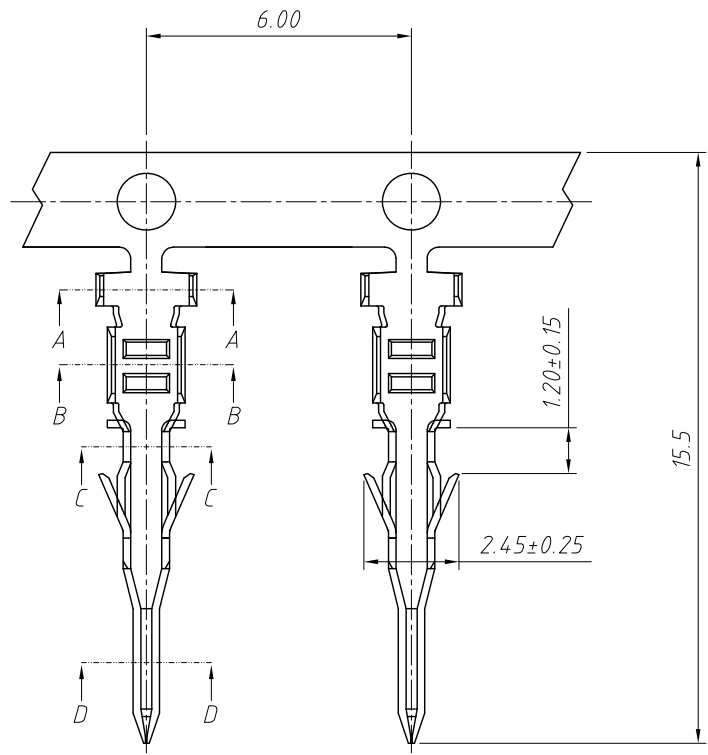
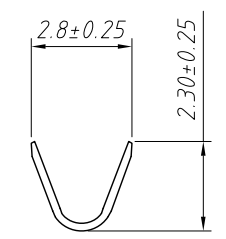


1  
RoHS Compliance

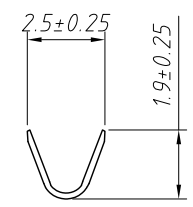


**Material:**  
 Terminal: Phosphor Bronze  
 Plating: Tin plated Over nickel  
 Applicable wires: AWG #22 ~ #28  
 Insulation O.D: 1.80mm Max.  
 Qty/reel: 10000PCS

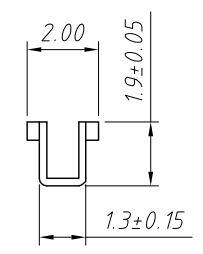
**Electrical Characteristics:**  
 Current rating: 5.0A AC,DC  
 Voltage rating: 250V AC,DC  
 Temperature range: -25°C ~ +85°C  
 Insulation resistance: 1000MΩ/Min.  
 Withstanding voltage: 1500V AC/minute  
 Contact resistance: 10mΩ/Max.



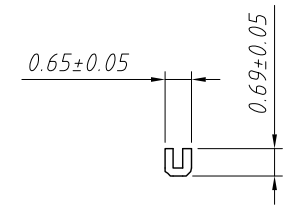
SECTION A-A



SECTION B-B



SECTION C-C



SECTION D-D

**Order Information:**  
 L-KLS1-XM1-3.00-MT  
  
 L: RoHS  
 Pitch: 3.00mm  
 Type: MH / FH / FHN-Hosing  
 MT / FT-Terminal

ANGLE TOLERANCE	PROJECTION	Description:	3.0mm Pitch Micro Fit 3.0 43020 43025
±3°		43045 43030 43031 43645 43640	Wire to Board Connector
GENERAL TOLERANCE	UNITS	mm	KLS P/N: L-KLS1-XM1-3.00-MT
x.x ±0.30	SHEET SIZE	A4	NingBo KLS ELECTRONIC CO.,L.TD.
x.xx ±0.20	Draw:	Daniel 2020-11-11	
x.xxx ±0.10	Check:	Daniel 2020-11-11	